

**The Encore Landscape Lighting System™** combined with Encore's superior products will create beauty, safety, and security all in a simple-to-install system. The Encore Landscape Lighting System allows for easy installation of fixtures and transformers while delivering balanced voltage to each fixture, creating a consistent lighting portrait to every project.

**The Encore Perfect Post Path System™** offers the flexibility of interchanging the shades on each path light without replacing the entire fixture allowing for cost effective seasonal design changes.

## TABLE OF CONTENTS

### Brass Products

Path and Area Lighting.....	2-11, 13-21
Up and Down Lighting .....	12, 26-29
Bollards .....	16-18, 20-21, 25
Tiki Torch.....	22
Bamboo Reed Lights .....	24
Deck and Step Lighting.....	30-33
Hardscape and Under The Cap Lighting.....	34-35
Inground, Paver, Deck Lighting.....	36-37
Well Lights and Inground Lighting.....	38-39
Underwater Lighting.....	40-41
Hanging Lights .....	42-43
Wall Sconces.....	44-45
Accessories.....	46-49

### Copper Products

Path and Area Lighting.....	50-51
Up Lighting .....	51

### Aluminum Products

Path and Area Lighting.....	52-55
Up and Down Lighting .....	56-57

### Support Equipment and Information

Transformers and Accessories .....	58-59
Lamp Guide.....	60-65
Wiring Diagrams.....	66
Kelvin Chart .....	67
Powder Coat Finishes .....	67
Warranty .....	68

**Note: All products in this catalog are 12 volt unless noted.**

**Most fixtures are available in 2700K or 3000K.**

**Dimmable fixtures must be dimmed by using a 12-volt magnetic dimmer.**

## DARE TO COMPARE

- Our exceptional quality and innovative product line uses the finest materials available, including solid brass, copper, stainless steel, and a superior grade of cast aluminum.
- Our innovative fixtures are user friendly and can be adjusted without the use of tools.
- Our lifetime warranty and unsurpassed service is second to none.
- Our state of the art factory and shipping department allow for orders to be processed and shipped the same day.

Encore Landscape Lighting Products are the choice by professionals who require reliable products of superior quality that will last a lifetime.



[www.EncoreLandscapeLighting.com](http://www.EncoreLandscapeLighting.com)

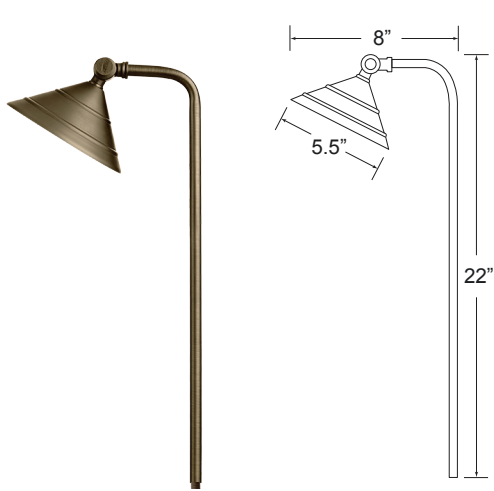
### Encore Landscape Lighting

2277 Elliott Drive  
Troy, MI 48083

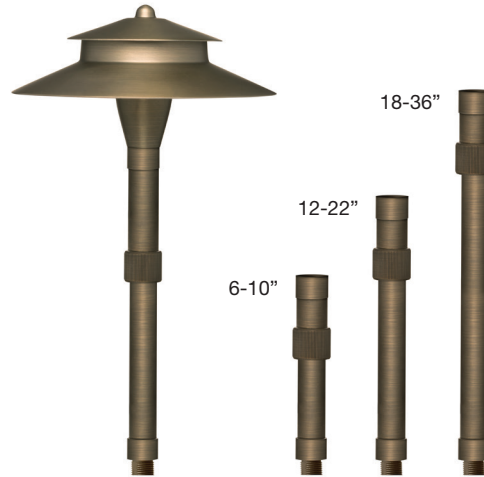
Phone: 248-299-1919 • Fax: 248-299-1911  
[EncoreLandscapeLighting@hotmail.com](mailto:EncoreLandscapeLighting@hotmail.com)

© 2026 Encore Landscape Lighting

PATH & AREA LIGHTING

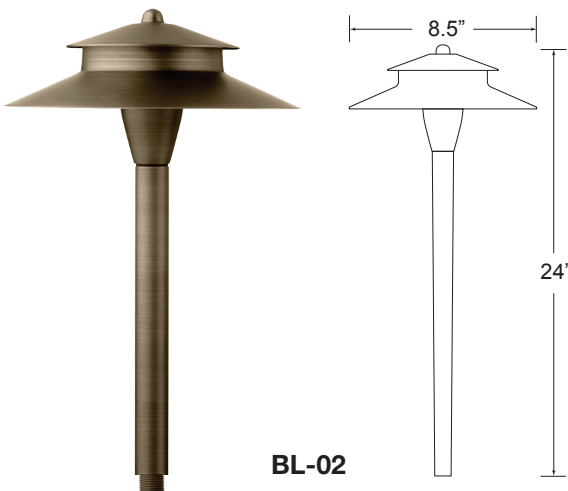


**BL-01-B**

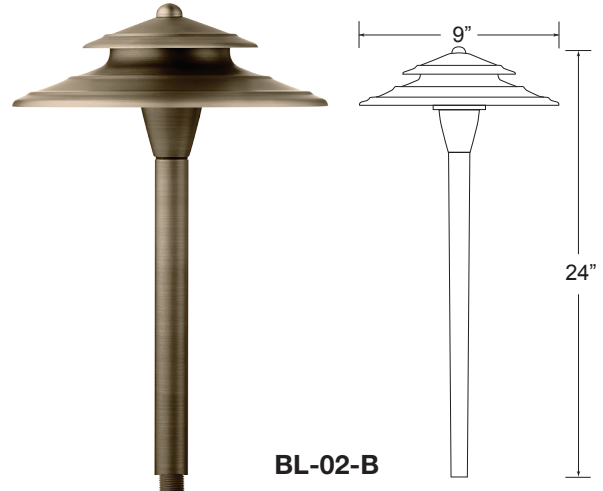


**BL-02 W/ ADJ RISER**

(The adjustable risers are available with all pathway lights with the perfect post system)

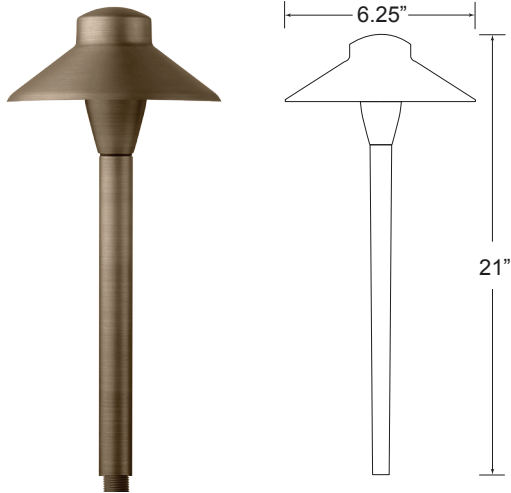


**BL-02**

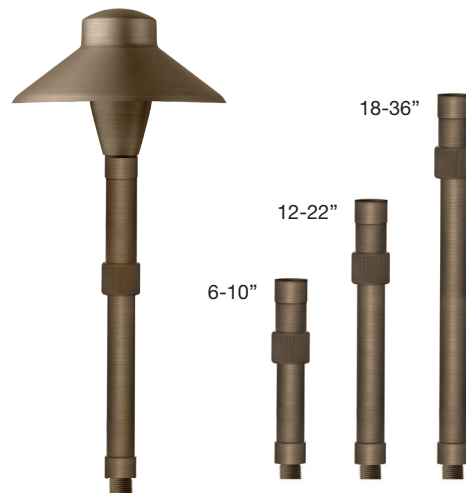


**BL-02-B**

<b>APPLICATION</b>	Illuminating Pathways, Bed Areas and Driveways		
<b>CONSTRUCTION</b>	<b>BL-01-B</b>	Spun Brass Articulating Shade with Angled Tubular Brass Post	
	<b>BL-02 / BL-02-B</b>	Solid Cast Brass Shade with Heavy Brass Post	
<b>FINISH</b>	Antiqued Brass or Matte Black		
<b>WIRE LEAD</b>	25 Feet of 18-2 Wire		
<b>STAKE</b>	X-801 Heavy Duty Ground Stake		
<b>LED LAMP (Standard)</b>	3 Watt LED G4 Bi-Pin		
<b>LED LAMP OPTIONS</b>	1 Watt, 2 Watt, 4 Watt, 5 Watt LED G4 Bi-Pin Bluetooth RGBW LED		
<b>LENS</b>	Clear and Frosted Glass Dome		
<b>HEIGHT</b>	<b>BL-01-B</b>	22"	<b>Light Spread:</b> 6-12'
	<b>BL-02 / BL-02-B</b>	24"	<b>Light Spread:</b> 10-12'
<b>OTHER OPTIONS</b>	Adjustable Telescoping Post: 6-10", 12-22", 18-36" (For use with BL-02 & BL-02-B)		
<b>DIMMABLE</b>	<b>BL-01-B / BL-02 / BL-02-B</b>		

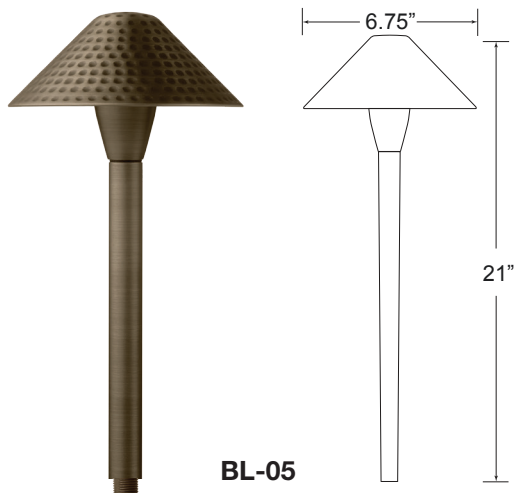


**BL-04**

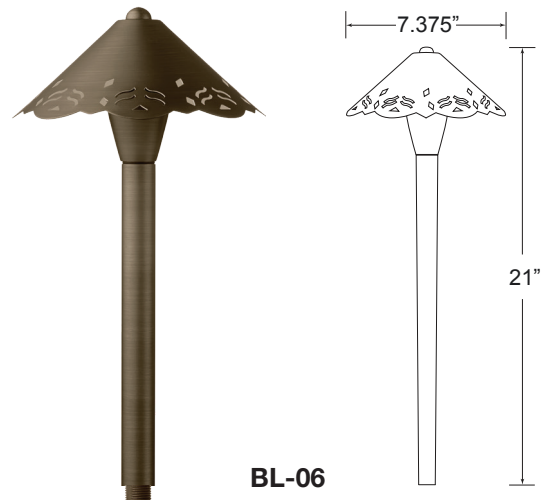


**BL-04 W/ ADJ RISER**

(The adjustable risers are available with all pathway lights with the perfect post system)



**BL-05**



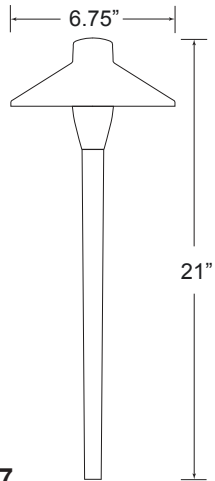
**BL-06**

<b>APPLICATION</b>	Illuminating Pathways, Bed Areas and Driveways
<b>CONSTRUCTION</b>	Solid Cast Brass Shade with Heavy Brass Post
<b>FINISH</b>	Antiqued Brass or Matte Black
<b>WIRE LEAD</b>	25 Feet of 18-2 Wire
<b>STAKE</b>	X-801 Heavy Duty Ground Stake
<b>LED LAMP (Standard)</b>	3 Watt LED G4 Bi-Pin
<b>LED LAMP OPTIONS</b>	1 Watt, 2 Watt, 4 Watt, 5 Watt LED G4 Bi-Pin Bluetooth RGBW LED
<b>LENS</b>	Clear and Frosted Glass Dome
<b>HEIGHT</b>	21" <b>Light Spread:</b> 8-10'
<b>OTHER OPTIONS</b>	Adjustable Telescoping Post: 6-10", 12-22", 18-36"
<b>DIMMABLE</b>	<b>BL-04 / BL-05 / BL-06</b>

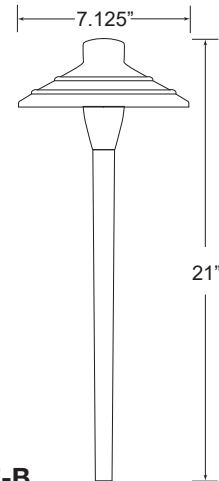
## PATH &amp; AREA LIGHTING



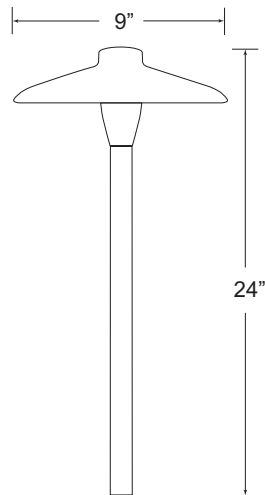
BL-07



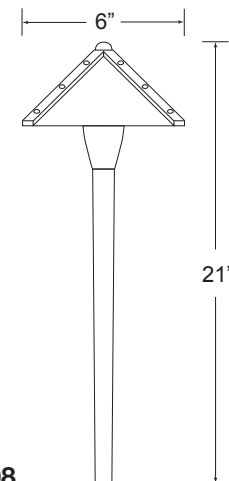
BL-07-B



BL-67



BL-08



<b>APPLICATION</b>	Illuminating Pathways, Bed Areas and Driveways		
<b>CONSTRUCTION</b>	Solid Cast Brass Shade with Heavy Brass Post		
<b>FINISH</b>	Antiqued Brass or Matte Black		
<b>WIRE LEAD</b>	25 Feet of 18-2 Wire		
<b>STAKE</b>	X-801 Heavy Duty Ground Stake		
<b>LED LAMP (Standard)</b>	3 Watt LED G4 Bi-Pin		
<b>LED LAMP OPTIONS</b>	1 Watt, 2 Watt, 4 Watt, 5 Watt LED G4 Bi-Pin Bluetooth RGBW LED		
<b>LENS</b>	Clear and Frosted Glass Dome		
<b>HEIGHT</b>	<b>BL-07 / BL-07-B</b>	21"	<b>Light Spread:</b> 8-10'
	<b>BL-08</b>	21"	<b>Light Spread:</b> 7-9'
	<b>BL-67</b>	24"	<b>Light Spread:</b> 10-12'
<b>OTHER OPTIONS</b>	Adjustable Telescoping Post: 6-10", 12-22", 18-36"		
<b>DIMMABLE</b>	<b>BL-07 / BL-07-B / BL-08 / BL-67</b>		



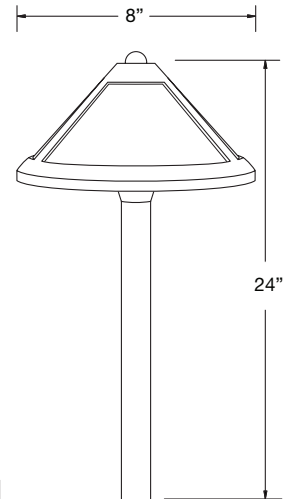
**BL-09-A**



**BL-09-F**



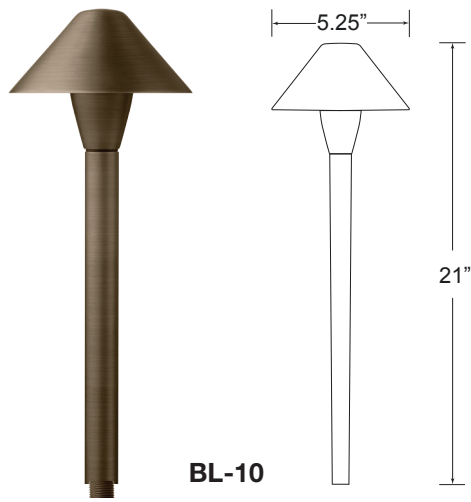
**BL-09-H**



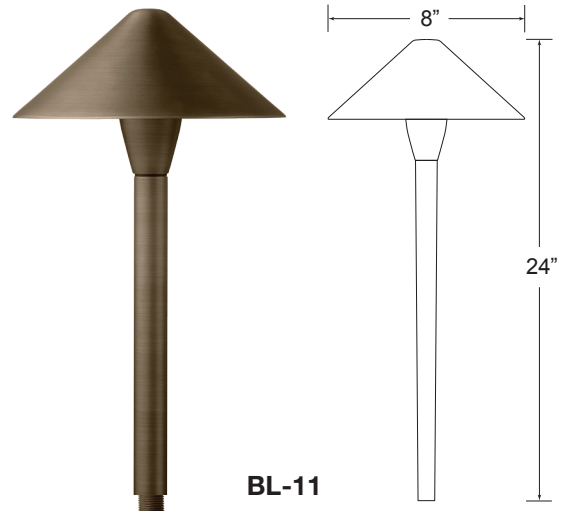
<b>APPLICATION</b>	Illuminating Pathways, Bed Areas and Driveways		
<b>CONSTRUCTION</b>	Solid Cast Brass Shade with Heavy Brass Post Glass Shade with Brass Frame		
<b>FINISH</b>	Antiqued Brass		
<b>WIRE LEAD</b>	25 Feet of 18-2 Wire		
<b>STAKE</b>	X-801 Heavy Duty Ground Stake		
<b>LED LAMP (Standard)</b>	3 Watt LED G4 Bi-Pin		
<b>LED LAMP OPTIONS</b>	1 Watt, 2 Watt, 4 Watt, 5 Watt LED G4 Bi-Pin		
<b>LENS</b>	Clear and Frosted Glass Dome		
<b>HEIGHT</b>	<b>BL-09-A / BL-09-F / BL-09-H</b>	24"	<b>Light Spread:</b> 9-11'
<b>OTHER OPTIONS</b>	Adjustable Telescoping Post: 6-10", 12-22", 18-36"		
<b>DIMMABLE</b>	<b>BL-09</b>		

# PATH & AREA LIGHTING

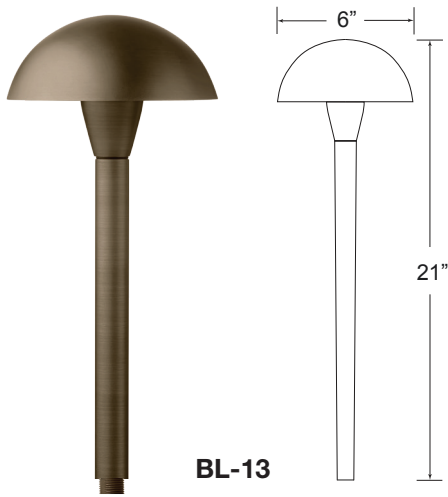
BRASS



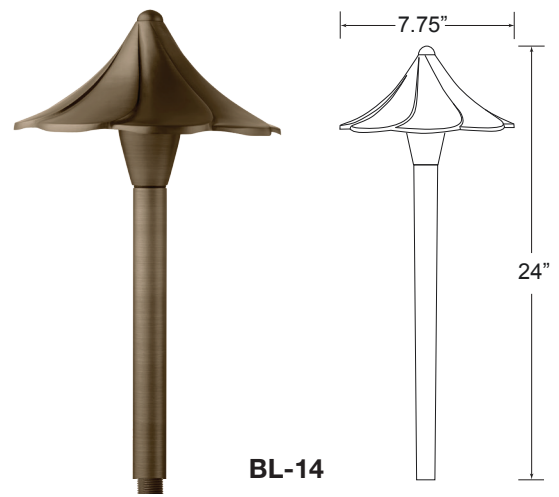
**BL-10**



**BL-11**

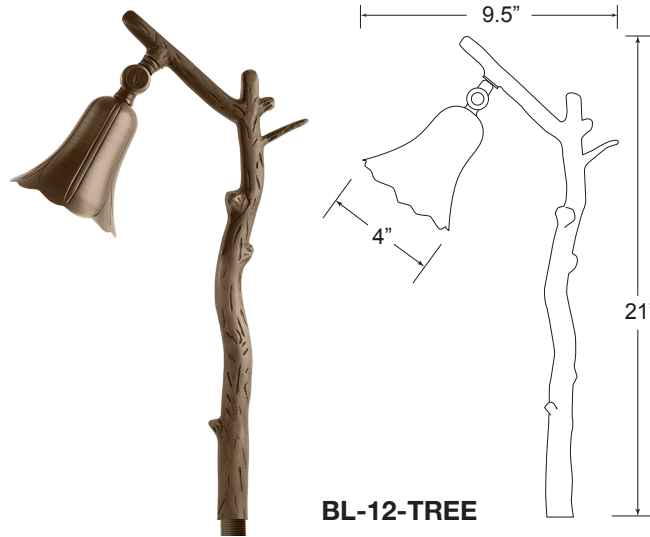


**BL-13**

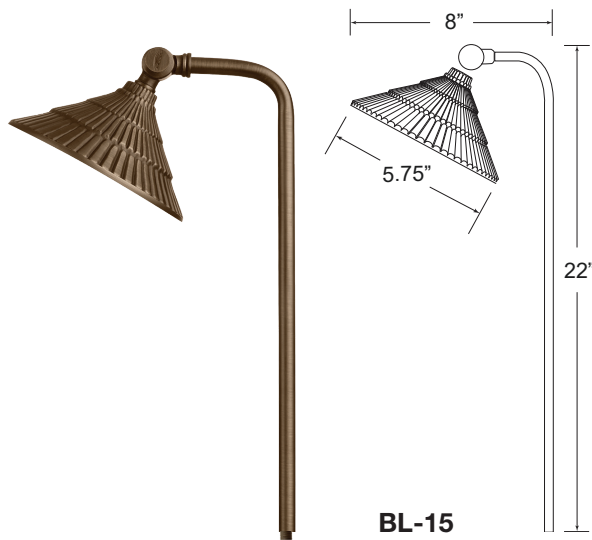


**BL-14**

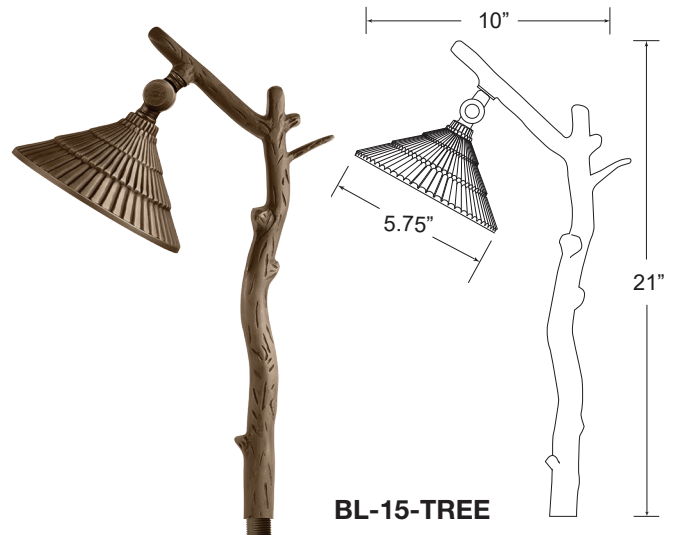
<b>APPLICATION</b>	Illuminating Pathways, Bed Areas and Driveways		
<b>CONSTRUCTION</b>	Solid Cast Brass Shade with Heavy Brass Post		
<b>FINISH</b>	Antiqued Brass or Matte Black		
<b>WIRE LEAD</b>	25 Feet of 18-2 Wire		
<b>STAKE</b>	X-801 Heavy Duty Ground Stake		
<b>LED LAMP (Standard)</b>	3 Watt LED G4 Bi-Pin		
<b>LED LAMP OPTIONS</b>	1 Watt, 2 Watt, 4 Watt, 5 Watt LED G4 Bi-Pin Bluetooth RGBW LED		
<b>LENS</b>	Clear and Frosted Glass Dome		
<b>HEIGHT</b>	<b>BL-10</b>	21"	<b>Light Spread:</b> 6-8'
	<b>BL-11</b>	24"	<b>Light Spread:</b> 8-10'
	<b>BL-13</b>	21"	<b>Light Spread:</b> 7-9'
	<b>BL-14</b>	24"	<b>Light Spread:</b> 8-10'
<b>OTHER OPTIONS</b>	Adjustable Telescoping Post: 6-10", 12-22", 18-36"		
<b>DIMMABLE</b>	<b>BL-10 / BL-11 / BL-13 / BL-14</b>		



BL-12-TREE



BL-15

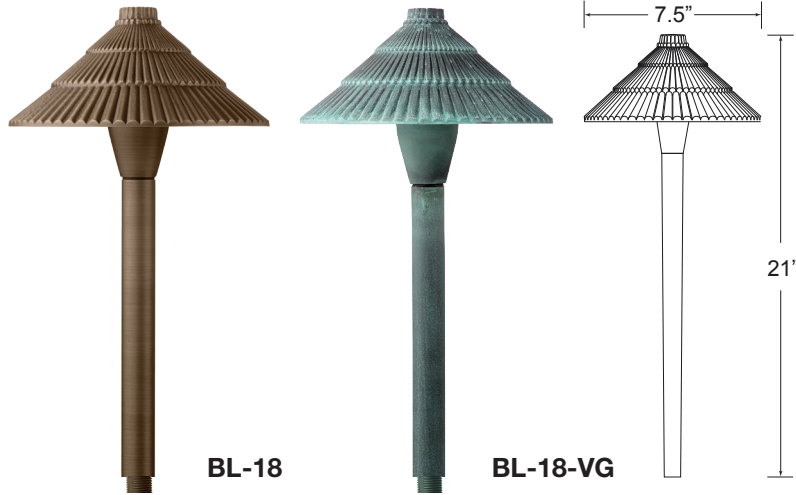


BL-15-TREE

<b>APPLICATION</b>	Illuminating Pathways, Bed Areas and Driveways	
<b>CONSTRUCTION</b>	Solid Cast Brass Shade with Heavy Brass Post	
<b>FINISH</b>	Antiqued Brass	
<b>WIRE LEAD</b>	25 Feet of 18-2 Wire	
<b>STAKE</b>	X-801 Heavy Duty Ground Stake	
<b>LED LAMP (Standard)</b>	3 Watt LED G4 Bi-Pin	
<b>LED LAMP OPTIONS</b>	1 Watt, 2 Watt, 4 Watt, 5 Watt LED G4 Bi-Pin Bluetooth RGBW LED	
<b>LENS</b>	<b>BL-15 / BL-15-TREE</b>	Clear and Frosted Glass Dome
<b>HEIGHT</b>	<b>BL-12-TREE</b>	21" <b>Light Spread:</b> 4-10'
	<b>BL-15</b>	22" <b>Light Spread:</b> 7-9'
	<b>BL-15-TREE</b>	21" <b>Light Spread:</b> 4-10'
<b>DIMMABLE</b>	<b>BL-12-TREE / BL-15 / BL-15-TREE</b>	

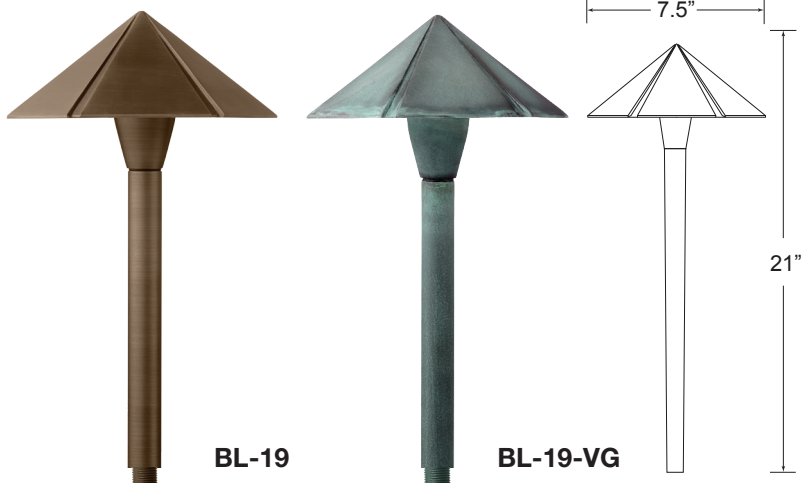
# PATH & AREA LIGHTING

BRASS



**BL-18**

**BL-18-VG**

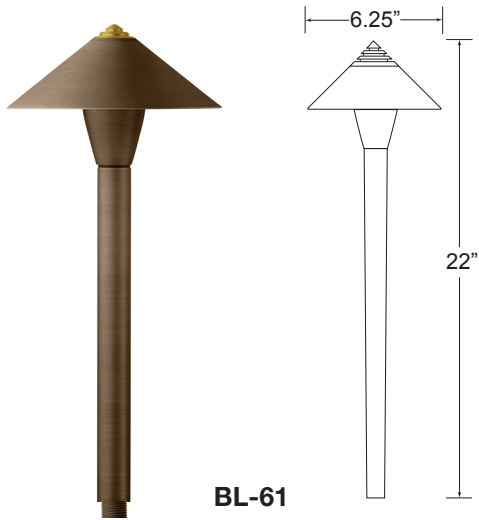


**BL-19**

**BL-19-VG**



<b>APPLICATION</b>	Illuminating Pathways, Bed Areas and Driveways
<b>CONSTRUCTION</b>	Solid Cast Brass Shade with Heavy Brass Post
<b>FINISH</b>	Antiqued Brass / Aged Verde
<b>WIRE LEAD</b>	25 Feet of 18-2 Wire
<b>STAKE</b>	X-801 Heavy Duty Ground Stake
<b>LED LAMP (Standard)</b>	3 Watt LED G4 Bi-Pin
<b>LED LAMP OPTIONS</b>	1 Watt, 2 Watt, 4 Watt, 5 Watt LED G4 Bi-Pin Bluetooth RGBW LED
<b>LENS</b>	Clear and Frosted Glass Dome
<b>HEIGHT</b>	21" <b>Light Spread:</b> 8-10'
<b>OTHER OPTIONS</b>	<b>BL-18 / BL-19</b> Adjustable Telescoping Post: 6-10", 12-22", 18-36"
<b>DIMMABLE</b>	<b>BL-18 / BL-19 / BL-18-VG / BL-19-VG</b>



BL-61



BL-62



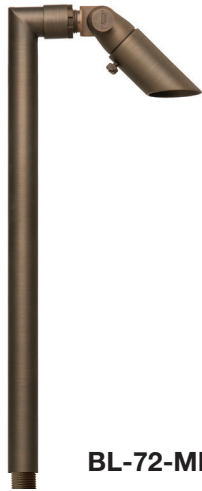
BL-63



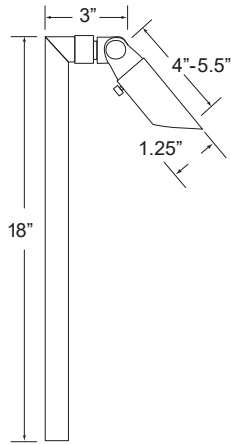
BL-64

<b>APPLICATION</b>	Illuminating Pathways, Bed Areas and Driveways		
<b>CONSTRUCTION</b>	Spun Brass Shade with Heavy Brass Post		
<b>FINISH</b>	Antiqued Brass		
<b>WIRE LEAD</b>	25 Feet of 18-2 Wire		
<b>STAKE</b>	X-801 Heavy Duty Ground Stake		
<b>LED LAMP (Standard)</b>	3 Watt LED G4 Bi-Pin		
<b>LED LAMP OPTIONS</b>	1 Watt, 2 Watt, 4 Watt, 5 Watt LED G4 Bi-Pin Bluetooth RGBW LED		
<b>LENS</b>	Clear and Frosted Glass Dome		
<b>HEIGHT</b>	<b>BL-61</b>	22"	<b>Light Spread:</b> 7-9'
	<b>BL-62</b>	22"	<b>Light Spread:</b> 8-10'
	<b>BL-63</b>	23"	<b>Light Spread:</b> 6-8'
	<b>BL-64</b>	21"	<b>Light Spread:</b> 8-10'
<b>OTHER OPTIONS</b>	Adjustable Telescoping Post: 6-10", 12-22", 18-36"		
<b>DIMMABLE</b>	<b>BL-61 / BL-62 / BL-63 / BL-64</b>		

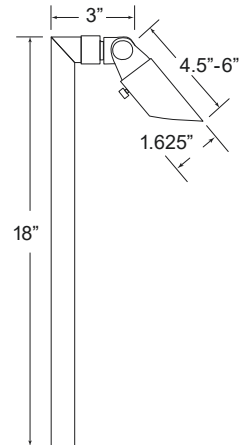
PATH & AREA LIGHTING



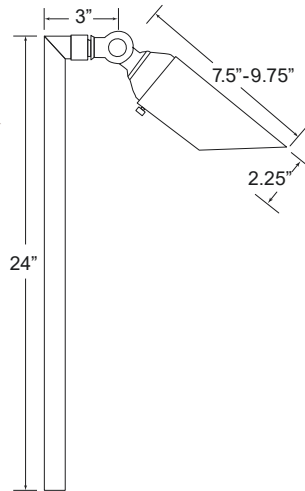
**BL-72-MR8**



**BL-72-MR11**



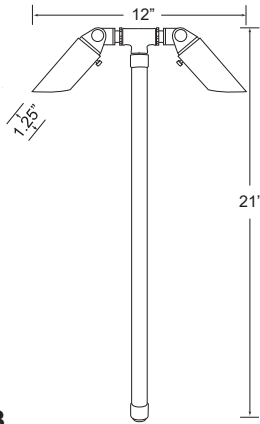
**BL-72-MR16**



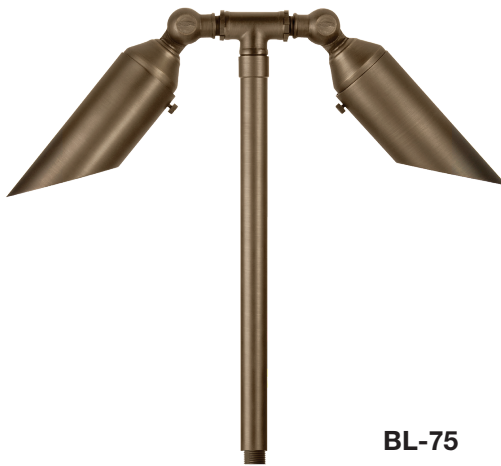
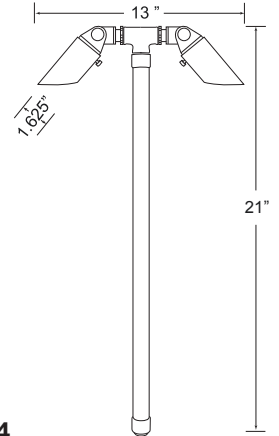
<b>APPLICATION</b>	Illuminating Pathways, Bed Areas and Driveways.	
<b>CONSTRUCTION</b>	Solid Cast Brass Bullet Light with Brass Elbowed Post	
<b>FINISH</b>	Antiqued Brass or Matte Black	
<b>WIRE LEAD</b>	25 Feet of 18-2 Wire	
<b>STAKE</b>	X-801 Heavy Duty Ground Stake	
<b>LED LAMP</b>	<b>BL-72-MR8</b>	3 Watt MR8 LED Bi-Pin
	<b>BL-72-MR11</b>	3 Watt MR11 LED Bi-Pin
	<b>BL-72-MR16</b>	4, 6, 9 Watt MR16 LED Bi-Pin
<b>LED LAMP OPTIONS</b>	Bluetooth RGBW LED (BL-72-MR16)	
<b>LENS</b>	Clear Flat Glass	
<b>OPTIONAL LENS</b>	Frosted Flat Glass	
<b>HEIGHT</b>	<b>BL-72-MR8</b>	18"
	<b>BL-72-MR11</b>	18"
	<b>BL-72-MR16</b>	24"
<b>DIMMABLE</b>	<b>BL-72-MR8 / BL-72-MR11 / BL-72-MR16</b>	



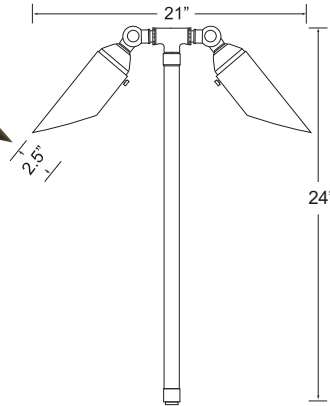
**BL-73**



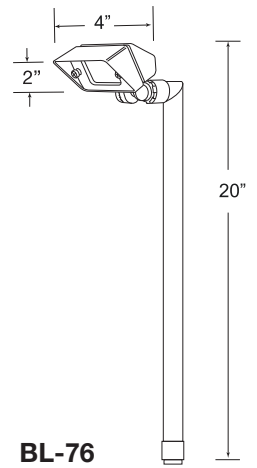
**BL-74**



**BL-75**

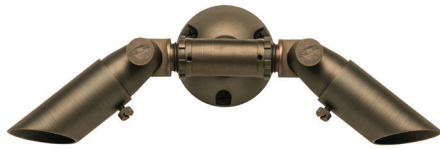
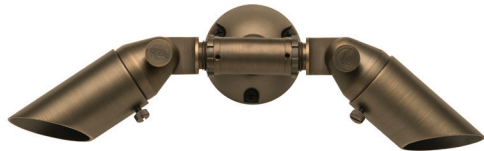
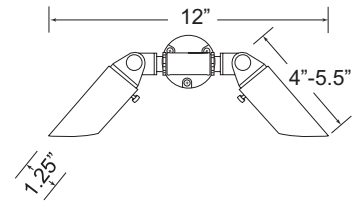
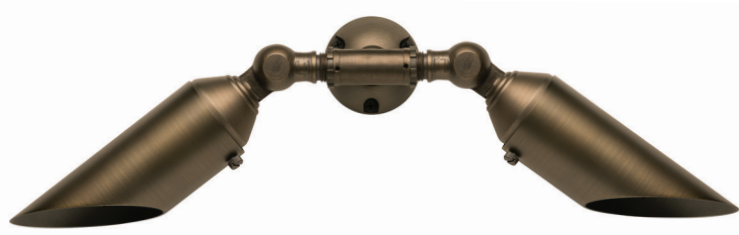
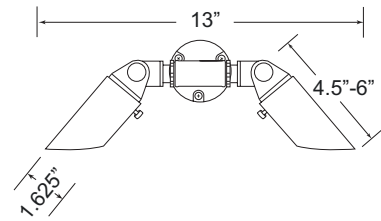
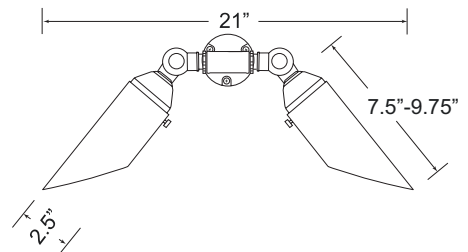


**BL-76**

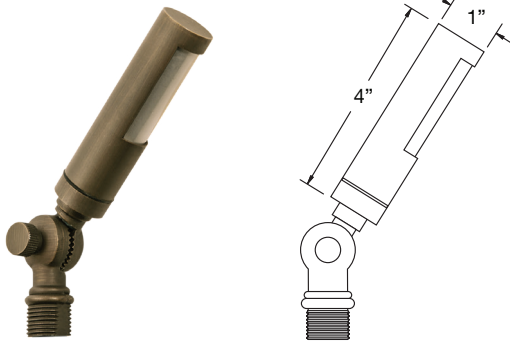


<b>APPLICATION</b>	Illuminating Pathways, Bed Areas and Driveways	
<b>CONSTRUCTION</b>	Solid Cast Brass Bullet Light with Brass Tee/Elbowed Post	
<b>FINISH</b>	Antiqued Brass or Matte Black	
<b>WIRE LEAD</b>	25 Feet of 18-2 Wire	
<b>STAKE</b>	X-801 Heavy Duty Ground Stake	
<b>LED LAMP</b>	<b>BL-73</b>	(2) 3 Watt MR8 LED Bi-Pin
	<b>BL-74</b>	(2) 3 Watt MR11 LED Bi-Pin
	<b>BL-75</b>	(2) 4, 6, 9 Watt MR16 LED Bi-Pin
	<b>BL-76</b>	4 Watt LED Panel-MKD
<b>LED LAMP OPTIONS</b>	Bluetooth RGBW LED (BL-75)	
<b>LENS</b>	Clear Flat Glass	
<b>OPTIONAL LENS</b>	Frosted Flat Glass	
<b>HEIGHT</b>	<b>BL-73 / BL-74</b>	21"
	<b>BL-75</b>	24"
	<b>BL-76</b>	20"
<b>DIMMABLE</b>	<b>BL-73 / BL-74 / BL-75 / BL-76</b>	

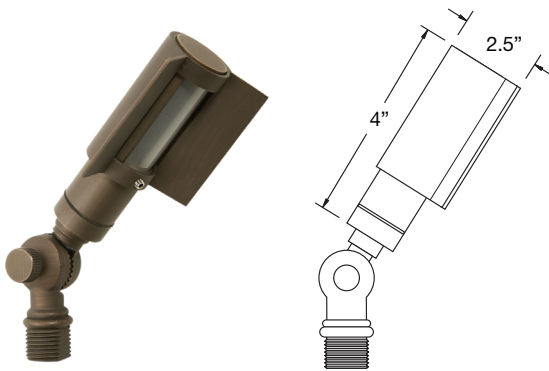
## DOWN LIGHTING

**BL-77-MR8****BL-77-MR11****BL-77-MR16**

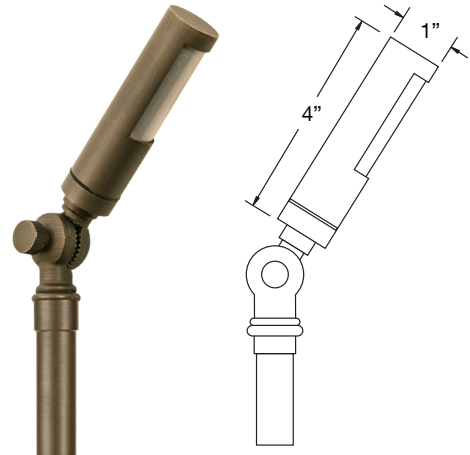
<b>APPLICATION</b>	Down Lighting from Walls or in Trees
<b>CONSTRUCTION</b>	Solid Cast Brass Bullet Light with Brass Tee and Brass Round Mount
<b>FINISH</b>	Antiqued Brass or Matte Black
<b>WIRE LEAD</b>	25 Feet of 18-2 Wire
<b>LED LAMP</b>	<b>BL-77-MR8</b> (2) 3 Watt MR8 LED Bi-Pin <b>BL-77-MR11</b> (2) 3 Watt MR11 LED Bi-Pin <b>BL-77-MR16</b> (2) 4, 6, 9 Watt MR16 LED Bi-Pin
<b>LED LAMP OPTIONS</b>	Bluetooth RGBW LED (BL-77-MR16)
<b>LENS</b>	Clear Flat Glass
<b>OPTIONAL LENS</b>	Frosted Flat Glass
<b>DIMMABLE</b>	<b>BL-77-MR8 / BL-77-MR11 / BL-77-MR16</b>



**BL-78**



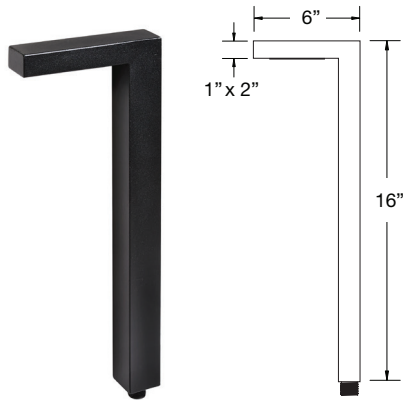
**BL-78 with Glare Shield**



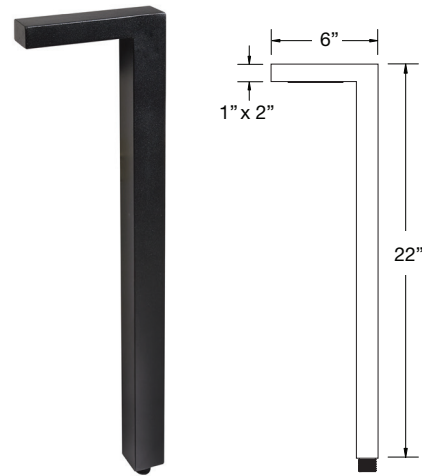
**BL-78 with Riser**

<b>APPLICATION</b>	Illuminating Pathways and Bed Areas
<b>CONSTRUCTION</b>	Solid Cast Brass
<b>FINISH</b>	Antiqued Brass
<b>WIRE LEAD</b>	25 Feet of 18-2 Wire
<b>STAKE</b>	X-800 Heavy Duty Ground Stake
<b>LED LAMP (Standard)</b>	3 Watt LED G4 Bi-Pin
<b>LED LAMP OPTIONS</b>	1 Watt, 2 Watt, 4 Watt, 5 Watt LED G4 Bi-Pin, Bluetooth RGBW LED
<b>LENS</b>	Frosted Glass
<b>DIMMABLE</b>	<b>BL-78</b>

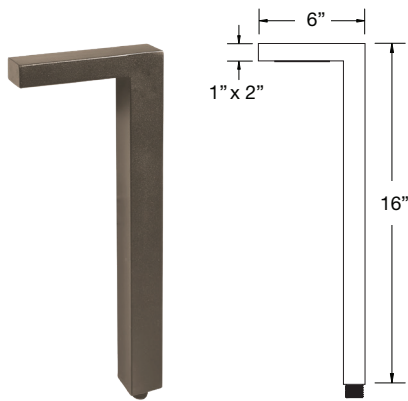
## PATH &amp; AREA LIGHTING



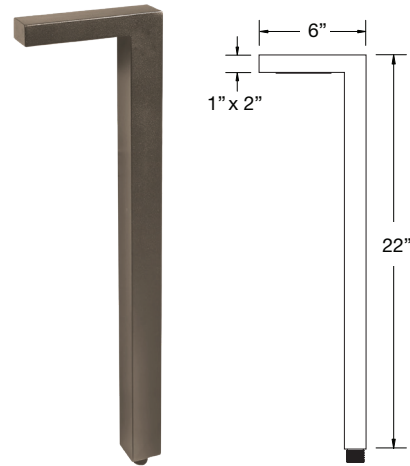
MDB-01-MKD-BK



MDB-02-MKD-BK

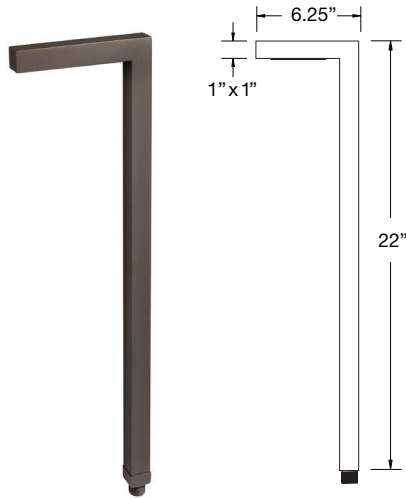


MDB-01-MKD-AB

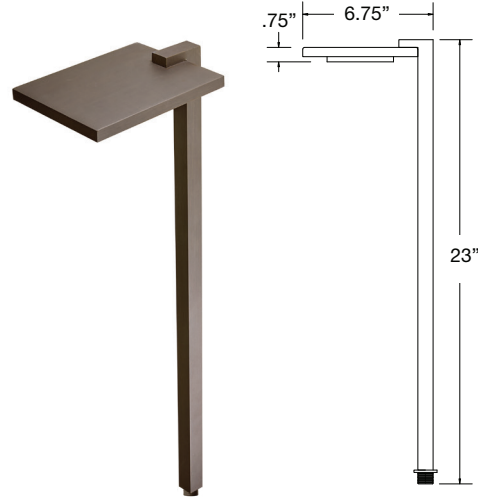


MDB-02-MKD-AB

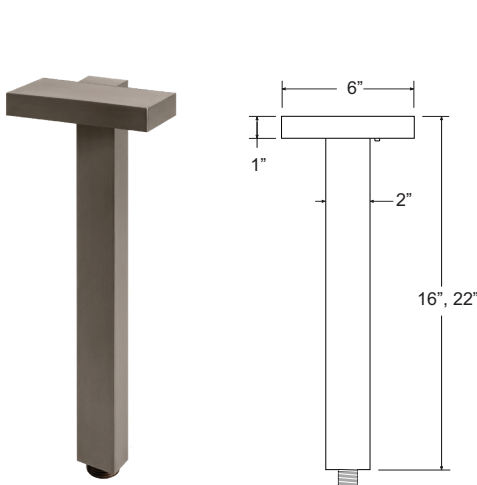
<b>APPLICATION</b>	Illuminating Pathways, Bed Areas and Driveways	
<b>CONSTRUCTION</b>	Solid Cast Brass	
<b>FINISH</b>	<b>MDB-01-MKD-BK / MDB-02-MKD-BK</b>	Matte Black
	<b>MDB-01-MKD-AB / MDB-02-MKD-AB</b>	Antiqued Brass
<b>WIRE LEAD</b>	25 Feet of 18-2 Wire	
<b>STAKE</b>	X-801 Heavy Duty Ground Stake	
<b>LED LAMP</b>	4 Watt LED Module with Multi-Kelvin & Dimming	
<b>LENS</b>	Frosted Glass	
<b>HEIGHT</b>	<b>MDB-01-MKD</b> 6"	<b>Light Spread:</b> 5-7'
	<b>MDB-02-MKD</b> 22"	<b>Light Spread:</b> 6-8'
<b>ADJUSTABLE KELVIN</b>	2700K, 3000K, 4000K	
<b>DIMMING FEATURES</b>	40%, 60%, 80% and Full Brightness	



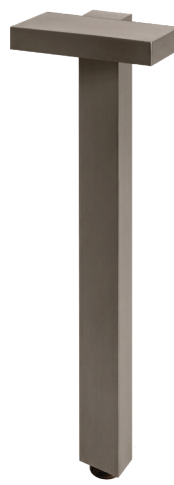
MDB-04



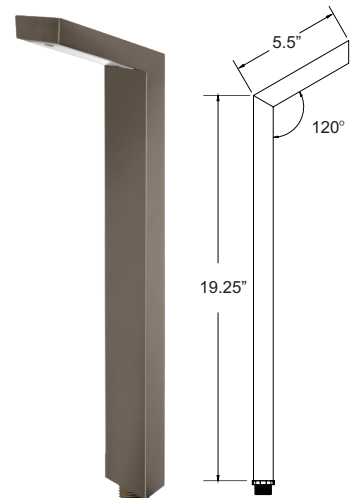
MDB-06



MDB-08-MKD



MDB-09-MKD

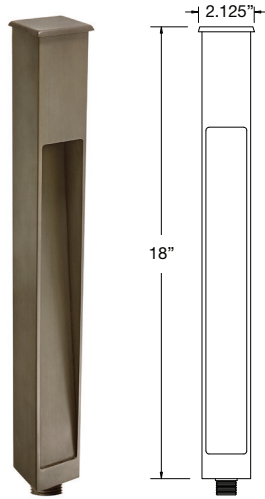


MDB-10-MKD

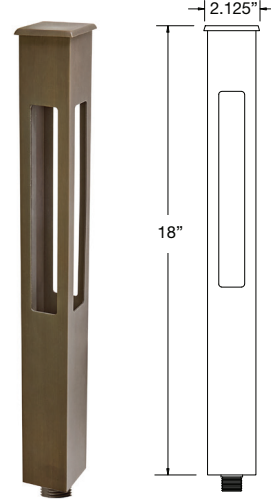
<b>APPLICATION</b>	Illuminating Pathways, Bed Areas and Driveways		
<b>CONSTRUCTION</b>	Solid Cast Brass		
<b>FINISH</b>	Antiqued Brass or Matte Black		
<b>WIRE LEAD</b>	25 Feet of 18-2 Wire		
<b>STAKE</b>	X-801 Heavy Duty Ground Stake		
<b>LED LAMP</b>	<b>MDB-04</b>	3 Watt LED G4 Bi Pin	
	<b>MDB-06</b>	4 Watt Module LED	
	<b>MDB-08 / MDB-09 / MDB-10</b>	4 Watt Module LED Module - MKD	
<b>LENS</b>	Frosted Glass		
<b>HEIGHT</b>	<b>MDB-04 / MDB-09</b>	22"	<b>Light Spread:</b> 6-8'
	<b>MDB-06</b>	23"	<b>Light Spread:</b> 8-10'
	<b>MDB-08</b>	16"	<b>Light Spread:</b> 5-7'
	<b>MDB-10</b>	22"	<b>Light Spread:</b> 8-10'
<b>DIMMABLE</b>	<b>MDB-04 / MDB-06</b>		
<b>ADJUSTABLE KELVIN</b>	2700K, 3000K, 4000K		
<b>DIMMING FEATURES</b>	40%, 60%, 80% and Full Brightness		

# PATH & AREA LIGHTING / BOLLARDS

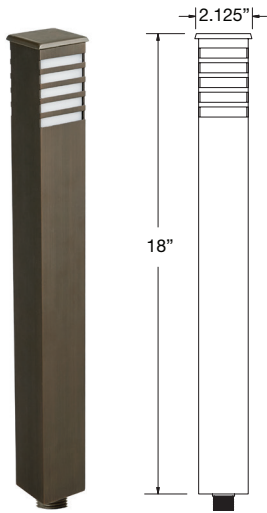
BRASS



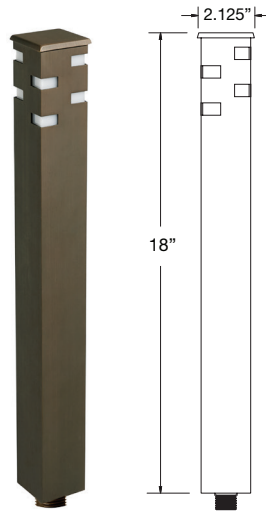
**BOL-03**



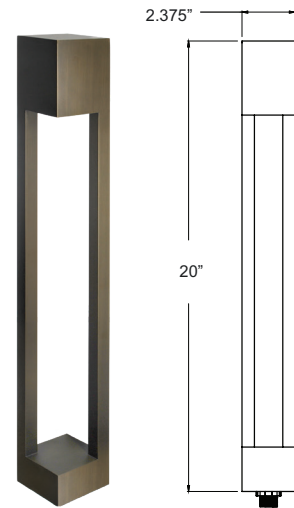
**BOL-04**



**BOL-13**



**BOL-14**

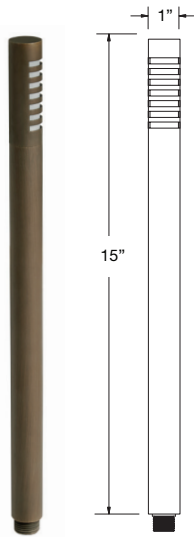


**BOL-16**

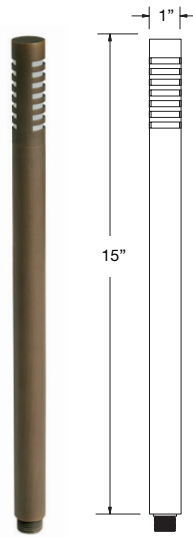
<b>APPLICATION</b>	Illuminating Pathways, Bed Areas and Driveways		
<b>CONSTRUCTION</b>	Brass		
<b>FINISH</b>	Antiqued Brass		
<b>WIRE LEAD</b>	25 Feet of 18-2 Wire		
<b>STAKE</b>	X-801 Heavy Duty Ground Stake		
<b>LED LAMP</b>	<b>BOL-03 / BOL-04</b>	4 Watt LED Module	
	<b>BOL-13 / BOL-14</b>	4 Watt LED G4 Bi-Pin	
	<b>BOL-16</b>	4 Watt LED MR16	
<b>HEIGHT</b>	<b>BOL-03</b>	18"	<b>Light Spread:</b> 4-6'
	<b>BOL-04</b>	18"	<b>Light Spread:</b> 6-8'
	<b>BOL-13</b>	18"	<b>Light Spread:</b> 4-6'
	<b>BOL-14</b>	18"	<b>Light Spread:</b> 4-6'
	<b>BOL-16</b>	20"	<b>Light Spread:</b> 6-8'
<b>DIMMABLE</b>	<b>BOL-03 / BOL-04 / BOL-13 / BOL-14 / BOL-16</b>		

# PATH & AREA LIGHTING / BOLLARDS

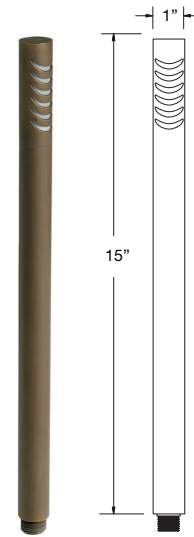
BRASS



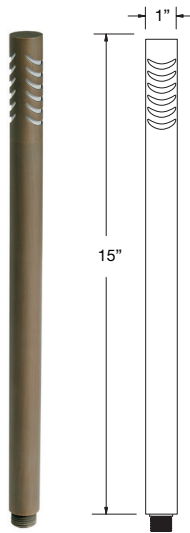
**BOL-09**



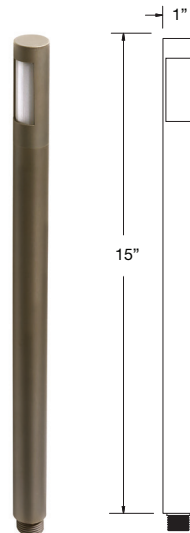
**BOL-10**



**BOL-11**



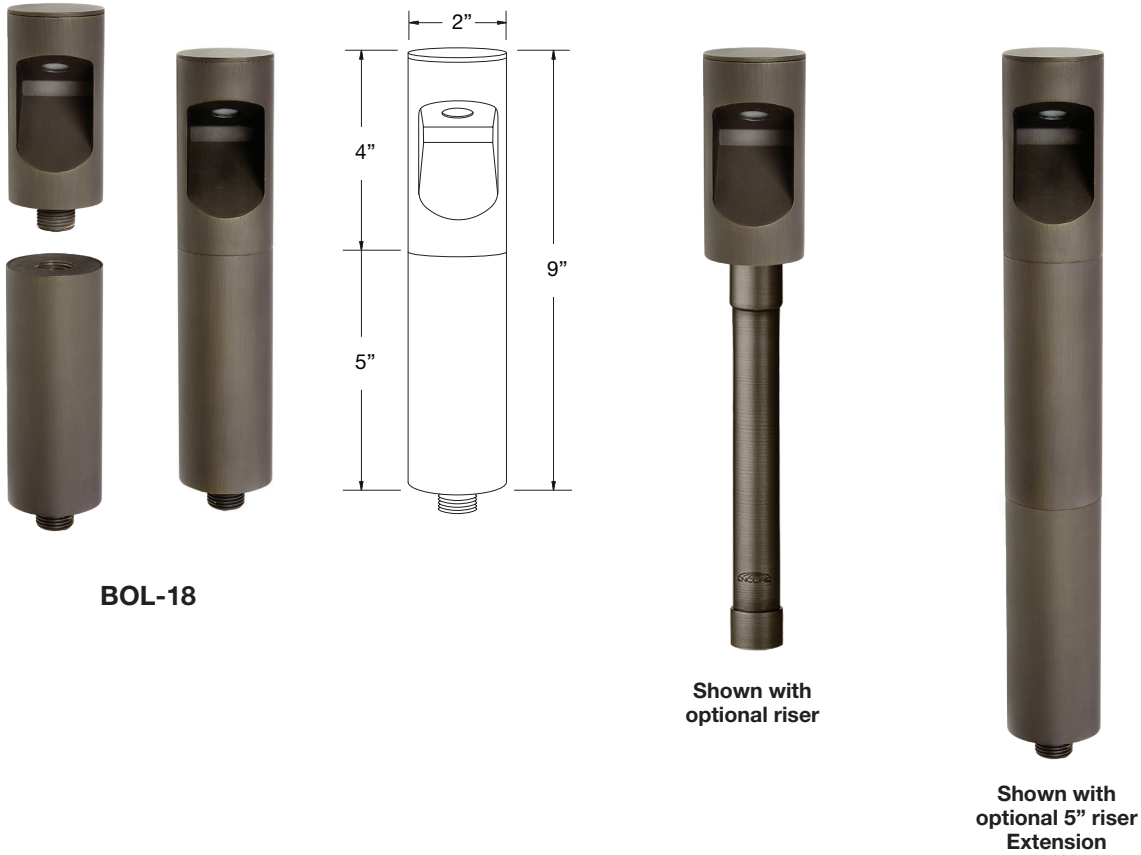
**BOL-12**



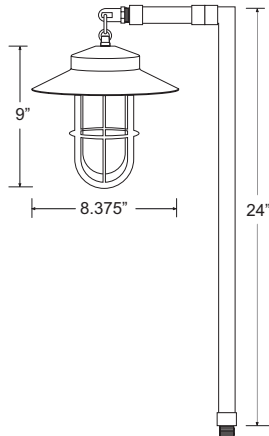
**BOL-15**

<b>APPLICATION</b>	Illuminating Pathways, Bed Areas and Driveways	
<b>CONSTRUCTION</b>	Brass	
<b>FINISH</b>	Antiqued Brass	
<b>WIRE LEAD</b>	25 Feet of 18-2 Wire	
<b>STAKE</b>	X-800 Heavy Duty Ground Stake	
<b>LED LAMP (Standard)</b>	3 Watt G4 LED Bi-Pin	
<b>LED LAMP OPTIONS</b>	1 Watt, 2 Watt, 4 Watt, 5 Watt G4 LED Bi-Pin, Bluetooth RGBW LED	
<b>HEIGHT</b>	<b>BOL-09</b> 15"	<b>Light Spread:</b> 6-8'
	<b>BOL-10</b> 15"	<b>Light Spread:</b> 6-8'
	<b>BOL-11</b> 15"	<b>Light Spread:</b> 6-8'
	<b>BOL-12</b> 15"	<b>Light Spread:</b> 6-8'
	<b>BOL-15</b> 15"	<b>Light Spread:</b> 6-8'
<b>DIMMABLE</b>	<b>BOL-09 / BOL-10 / BOL-11 / BOL-12 / BOL-15</b>	

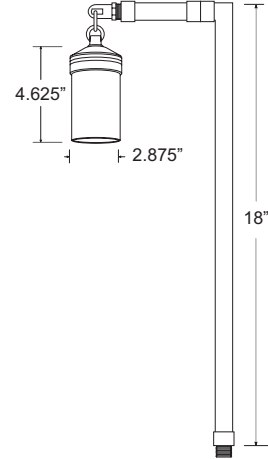
PATH & AREA LIGHTING



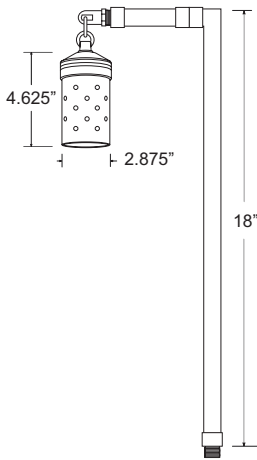
<b>APPLICATION</b>	Illuminating Pathways, Bed Areas and Driveways	
<b>CONSTRUCTION</b>	Solid Cast Brass	
<b>FINISH</b>	Antiqued Brass or Matte Black	
<b>WIRE LEAD</b>	25 Feet of 18-2 Wire	
<b>STAKE</b>	X-801 Heavy Duty Ground Stake	
<b>LED LAMP</b>	<b>BOL-18</b> 4 Watt Integrated LED	
<b>LENS</b>	Frosted Glass	
<b>HEIGHT</b>	<b>BOL-18</b> 9"	<b>Light Spread:</b> 6-8'
<b>DIMMABLE</b>	<b>BOL-18</b>	
<b>OPTIONS</b>	5" Riser Extension to Make Taller Standard Post Riser or Adjustable Post Riser	



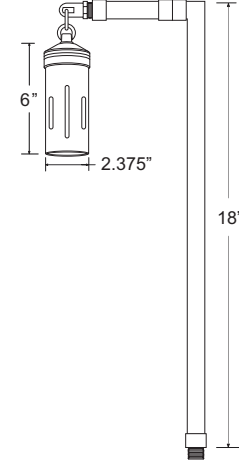
**BL-201-HL**



**BL-202-HL**



**BL-203-HL**

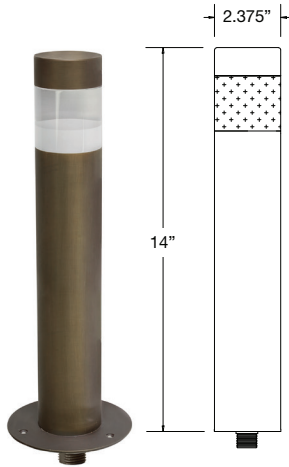


**BL-204-HL**

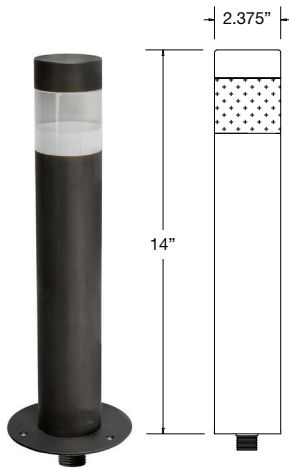
<b>APPLICATION</b>	Illuminating Pathways, Bed Areas and Driveways	
<b>CONSTRUCTION</b>	Solid Brass	
<b>FINISH</b>	Antiqued Brass	
<b>WIRE LEAD</b>	25 Feet of 18-2 Wire	
<b>STAKE</b>	X-801 Heavy Duty Ground Stake	
<b>LED LAMP</b>	<b>BL-201-HL</b>	A19 Medium Base LED Lamp 2 Watt, 4 Watt or 6 Watt Bluetooth RGBW LED
	<b>BL-202-HL</b>	MR16 LED 4 Watt or 6 Watt G4 LED 4 Watt Bi-Pin Bluetooth RGBW LED
	<b>BL-203-HL / BL-204-HL</b>	G4 LED 4 Watt Bi-Pin Bluetooth RGBW LED
<b>DIMMABLE</b>	<b>BL-201-HL / BL-202-HL / BL-203-HL / BL-204-HL</b>	

# PATH & AREA LIGHTING / BOLLARDS

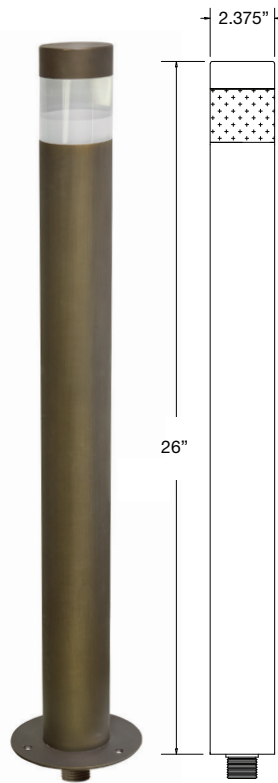
BRASS



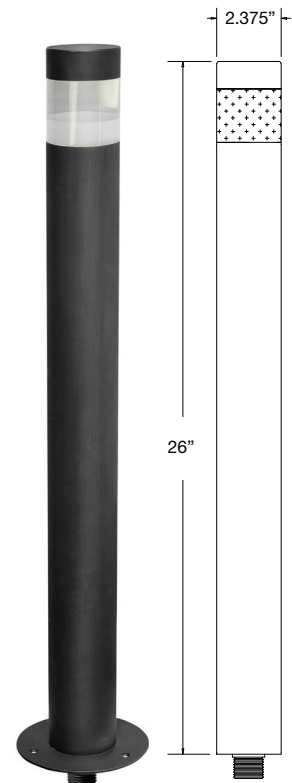
**BOL-01-AB**



**BOL-01-BK**



**BOL-02-AB**



**BOL-02-BK**

<b>APPLICATION</b>	Illuminating Pathways, Bed Areas and Driveways		
<b>CONSTRUCTION</b>	Solid Cast Brass		
<b>FINISH</b>	<b>BOL-01-AB / BOL-02-AB</b>	Antiqued Brass	
	<b>BOL-01-BK / BOL-02-BK</b>	Matte Black	
<b>WIRE LEAD</b>	25 Feet of 18-2 Wire		
<b>MOUNTING</b>	Brass Mounting Plate with X-805 Tri-Stake		
<b>LED LAMP (Standard)</b>	4 Watt LED MR16		
<b>LED LAMP OPTIONS</b>	1 Watt, 2 Watt, 3 Watt, 4 Watt, 5 Watt LED G4 Bi-Pin 3 Watt MR8 or MR11 LED 6 Watt MR16 LED, 9 Watt MR16 LED Bluetooth RGBW LED		
<b>LENS</b>	Clear Glass		
<b>HEIGHT</b>	<b>BOL-01</b>	14"	<b>Light Spread:</b> 8-10'
	<b>BOL-02</b>	26"	<b>Light Spread:</b> 10-12'
<b>SPECIAL FEATURE</b>	Surface Mount or Stake Mount		
<b>DIMMABLE</b>	<b>BOL-01 / BOL-02</b>		

# PATH & AREA LIGHTING / BOLLARDS

BRASS



**BOL-102**



**BOL-102-B**



**BOL-111**

<b>Fixture Height</b>	15"	15"	15"
<b>Post Diameter</b>	2.375"	2.375"	2.375"
<b>Surface Mounting Plate</b>	Included	Included	Included
<b>X-801 Heavy Duty Stake</b>	Included	Included	Included



**BOL-202**



**BOL-202-B**



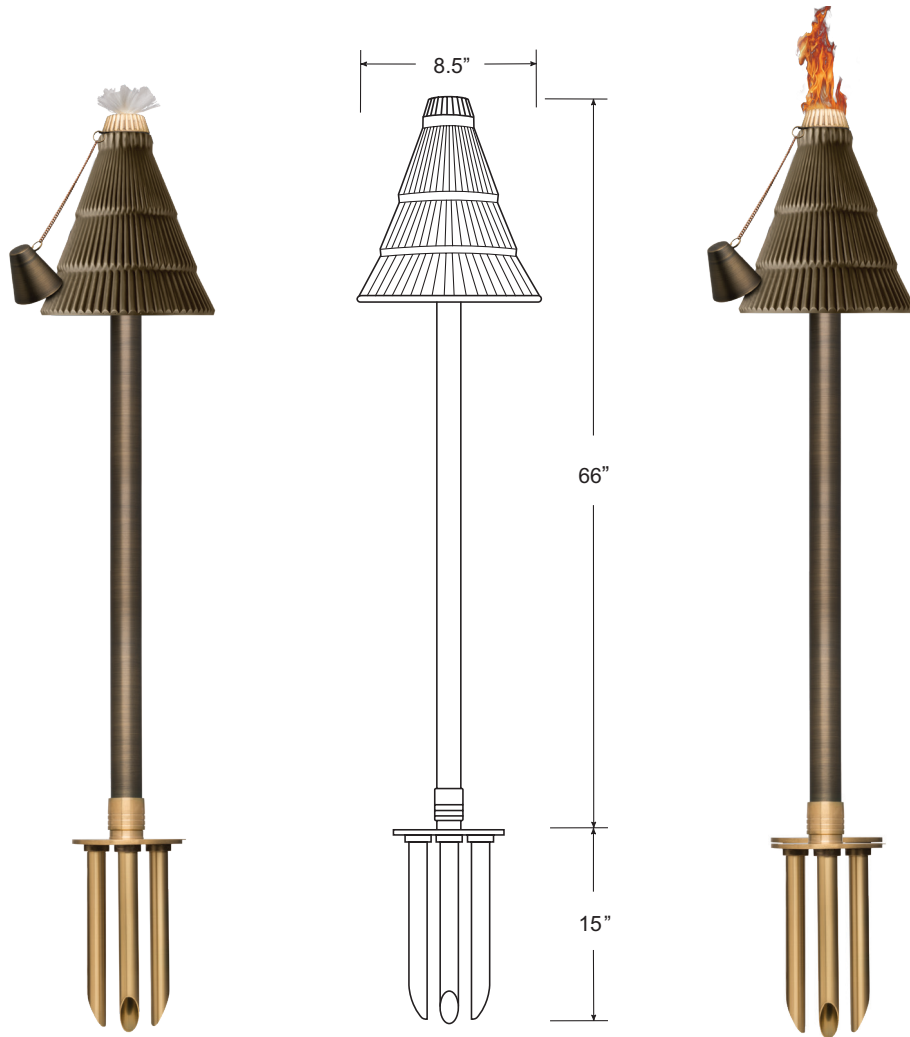
**BOL-211**

<b>Fixture Height</b>	26"	26"	26"
<b>Post Diameter</b>	2.375"	2.375"	2.375"
<b>Surface Mounting Plate</b>	Included	Included	Included
<b>X-801 Heavy Duty Stake</b>	Included	Included	Included

<b>APPLICATION</b>	Illuminating Pathways, Bed Areas and Driveways
<b>CONSTRUCTION</b>	Solid Cast Brass
<b>FINISH</b>	Antiqued Brass or Matte Black
<b>WIRE LEAD</b>	25 Feet of 18-2 Wire
<b>MOUNTING</b>	Brass Mounting Plate with X-805 Tri-Stake
<b>LED LAMP (Standard)</b>	4 Watt LED MR16
<b>LED LAMP OPTIONS</b>	1 Watt, 2 Watt, 3 Watt, 4 Watt LED G4 Bi-Pin 3 Watt MR8 or MR11 LED 6 Watt MR16 LED or 9 Watt MR16 LED Bluetooth RGBW LED
<b>SPECIAL FEATURES</b>	Can Be Mounted to a Flat Surface or Stake Mounted
<b>DIMMABLE</b>	<b>BOL-102 / BOL-102-B / BOL-111 / BOL-202 / BOL-202-B / BOL-211</b>

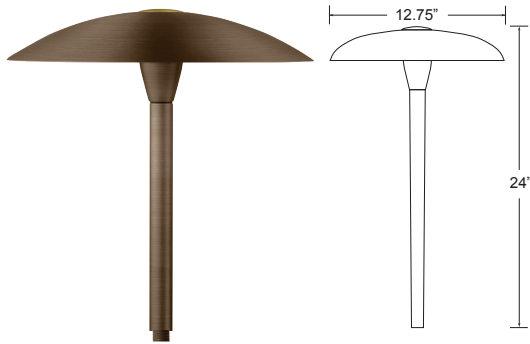
# PATH & AREA LIGHTING

## BRASS TIKI TORCH



**TIKI TORCH**

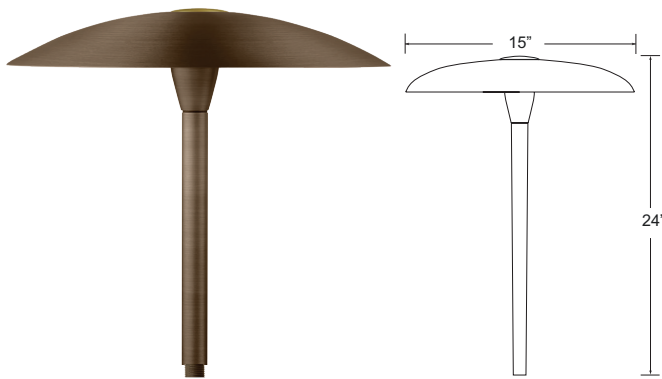
<b>APPLICATION</b>	Illuminating Pathways, Bed Areas, Driveways, Deck Areas, Entertainment Areas
<b>CONSTRUCTION</b>	Solid Cast Brass Shade with Heavy Brass Post 1-1/4" Diameter Two in One - Oil Filled Reservoir for Flame Effect and LED Light Source
<b>FINISH</b>	Antiqued Brass or Matte Black
<b>WIRE LEAD</b>	25 Feet of 18-2 Wire
<b>STAKE</b>	X-805 Super Heavy Duty Three Prong Brass Ground Stake
<b>LED LAMP (Standard)</b>	4 Watt LED MR16
<b>LED LAMP OPTIONS</b>	1 Watt, 2 Watt, 3 Watt, 4 Watt, 5 Watt LED G4 Bi-Pin 3 Watt MR8 or MR11 LED 6 Watt MR16 LED, 9 Watt MR16 LED Bluetooth RGBW LED
<b>LENS</b>	Clear and Frosted Glass Dome
<b>HEIGHT</b>	66" <b>Light Spread:</b> 12-15'
<b>DIMMABLE</b>	<b>TIKI TORCH</b>



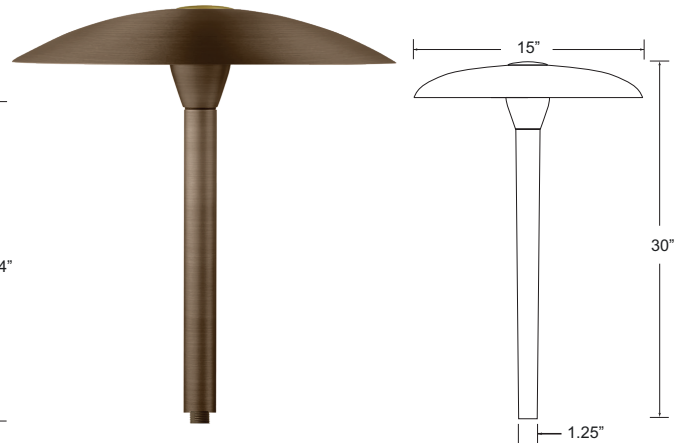
**BL-65**



**BL-65-XL**



**BL-66**

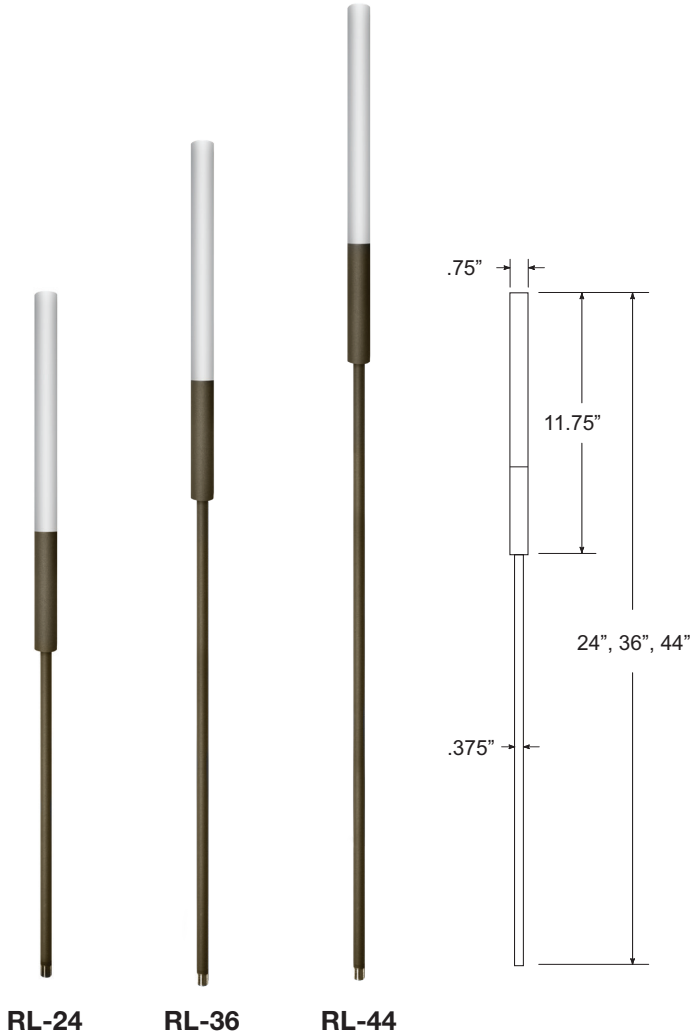


**BL-66-XL**

<b>APPLICATION</b>	Illuminating Pathways, Bed Areas, Driveways, Deck Areas, Entertainment Areas		
<b>CONSTRUCTION</b>	Solid Brass Shade with Heavy Brass Post (XL Series - 1.25" Diameter Post)		
<b>FINISH</b>	Antiqued Brass or Matte Black		
<b>WIRE LEAD</b>	25 Feet of 18-2 Wire		
<b>STAKE</b>	X-801 Heavy Duty Stake		
<b>LED LAMP</b>	<b>BL-65 / BL-66</b>	3 Watt LED G4 Bi-Pin	
	<b>BL-65-XL / BL-66-XL</b>	4 Watt LED G4 Bi-Pin	
<b>LED LAMP OPTIONS</b>	1 Watt, 2 Watt, 3 Watt, 4 Watt, 5 Watt or RGBW Bluetooth		
<b>LENS</b>	Clear and Frosted Glass Dome		
<b>HEIGHT</b>	<b>BL-65 / BL-66</b>	24"	<b>Light Spread:</b> 12-14'
	<b>BL-65-XL / BL-66-XL</b>	30"	<b>Light Spread:</b> 14-16'
<b>DIMMABLE</b>	<b>BL-65 / BL-65-XL / BL-66 / BL-66-XL</b>		

# PATH & AREA LIGHTING

STAINLESS STEEL

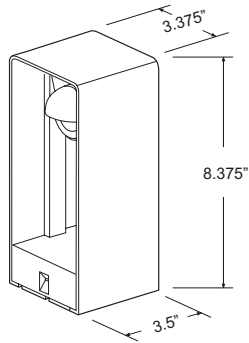


## BAMBOO REED LIGHTS

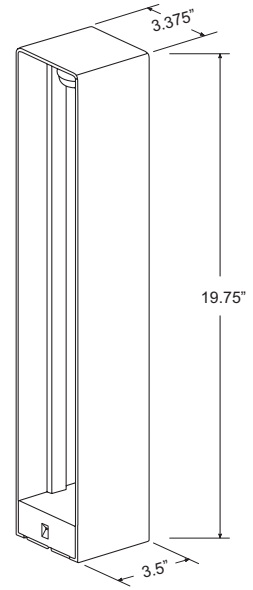
<b>APPLICATION</b>	Illuminating Grasses, Pathways, Bed Areas, Entertainment Areas	
<b>CONSTRUCTION</b>	Stainless Steel and Acrylic Glass	
<b>FINISH</b>	Antiqued Brass	
<b>WIRE LEAD</b>	25 Feet of 20-2 Wire	
<b>STAKE</b>	Composite Ground Stake	
<b>LED LAMP</b>	2 Watt Integrated LED - Non Dimmable	
<b>COLOR OPTIONS</b>	Various Color Gell Filters	
<b>HEIGHT</b>	<b>RL-24</b>	24"
	<b>RL-36</b>	36"
	<b>RL-44</b>	44"



MDA-01

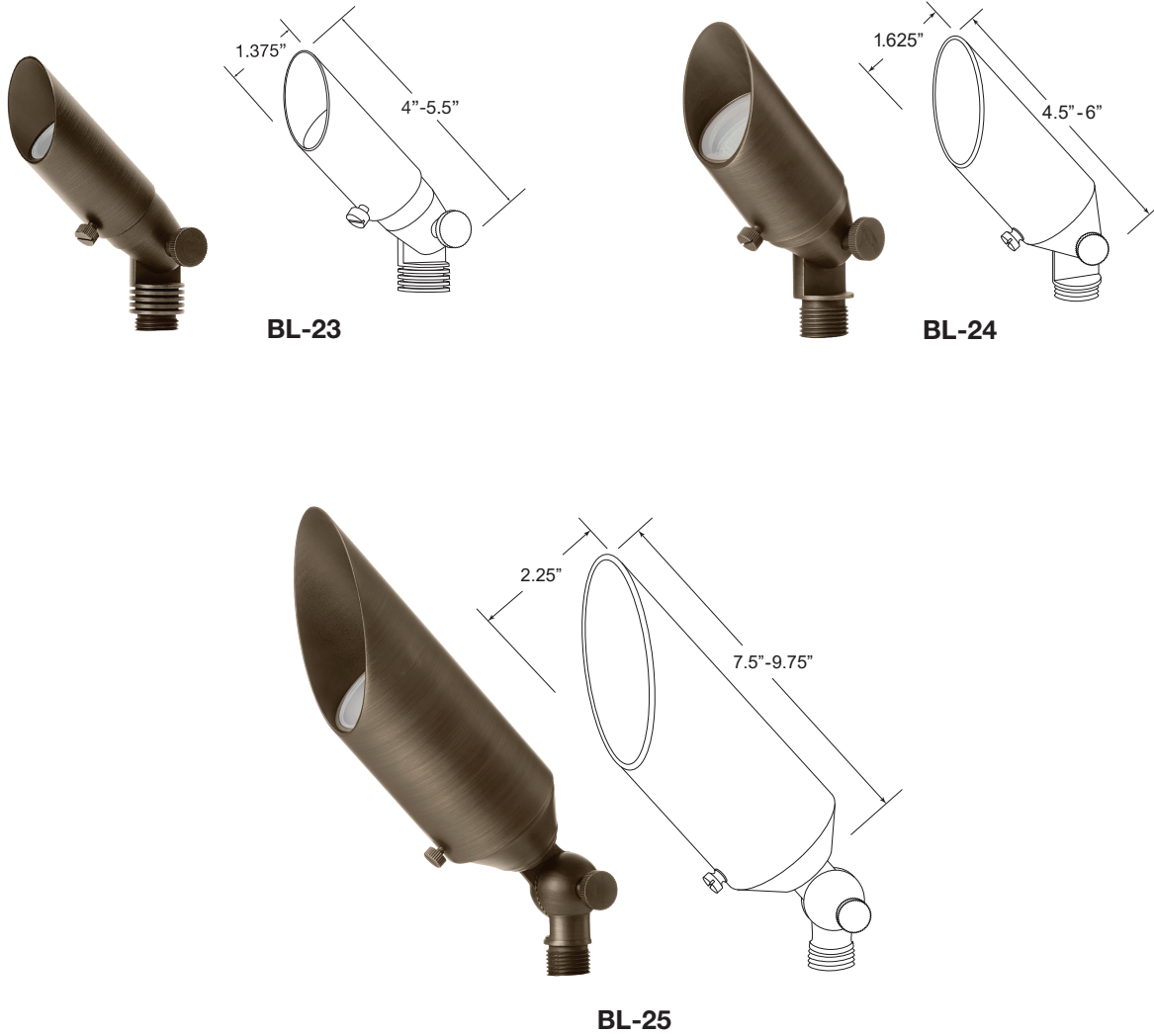


MDA-02

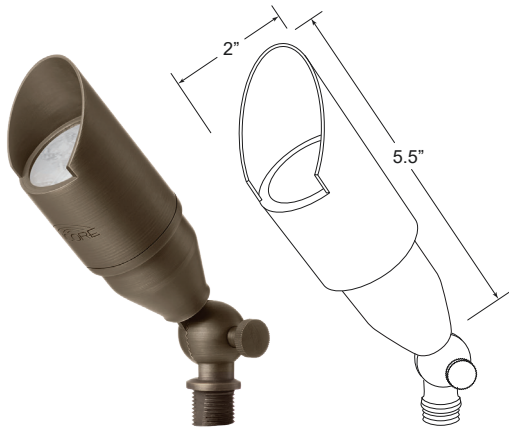


<b>APPLICATION</b>	Illuminating Pathways, Bed Areas, Driveways, Deck Areas, Entertainment Areas		
<b>CONSTRUCTION</b>	Die Cast Aluminum		
<b>FINISH</b>	Textured Black		
<b>WIRE LEAD</b>	25 Feet of 18-2 Wire		
<b>STAKE</b>	X-801 Heavy Duty Stake		
<b>LED LAMP</b>	4 Watt Integrated LED with Dimmable Button Feature		
<b>HEIGHT</b>	<b>MDA-01</b>	9"	<b>Light Spread:</b> 4-6'
	<b>MDA-02</b>	20"	<b>Light Spread:</b> 6-8"
<b>DIMMABLE</b>	<b>MDA-01 / MDA-02</b>		

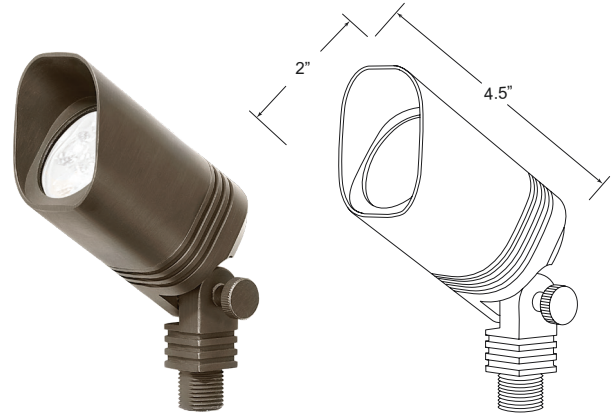
UP LIGHTING



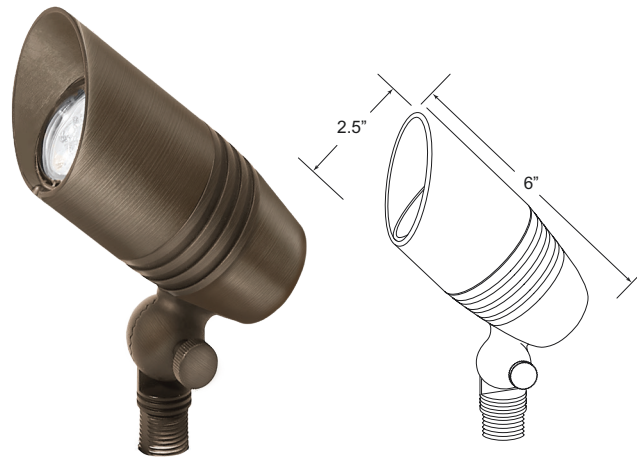
<b>APPLICATION</b>	Up Lighting of Trees, Homes and Structures	
<b>CONSTRUCTION</b>	Solid Cast Brass with Telescoping, and 360 Degree Rotatable Shroud	
<b>FINISH</b>	Antiqued Brass or Matte Black	
<b>WIRE LEAD</b>	25 Feet of 18-2 Wire	
<b>STAKE</b>	X-800 Heavy Duty Ground Stake	
<b>LED LAMP</b>	<b>BL-23</b>	3 Watt LED MR8
	<b>BL-24</b>	3 Watt LED MR11
	<b>BL-25</b>	4 Watt, 6 Watt, or 9 Watt LED MR16
<b>LED LAMP OPTIONS</b>	<b>BL-25</b>	Bluetooth RGBW LED
<b>LENS</b>	Clear Glass	
<b>OPTIONAL LENS</b>	Frosted, Honeycomb, Moonlight Blue	
<b>DIMMABLE</b>	<b>BL-23 / BL-24 / BL-25</b>	



**BL-20**



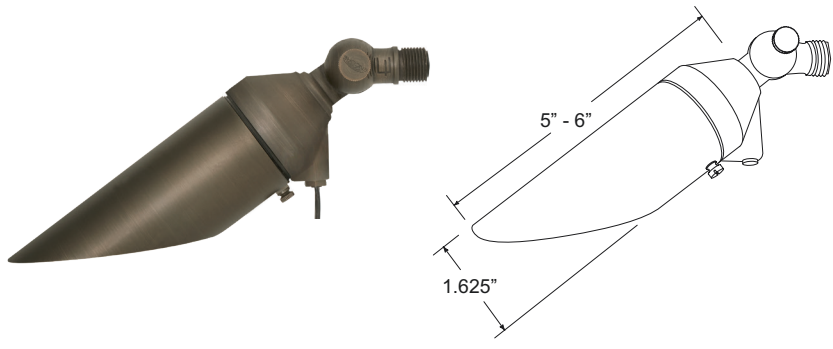
**BL-21**



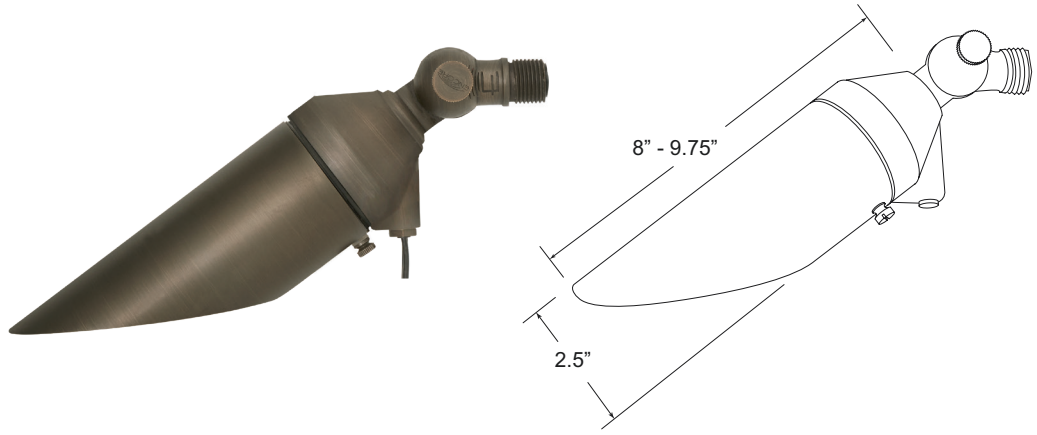
**BL-28**

<b>APPLICATION</b>	Up Lighting of Trees, Homes and Structures
<b>CONSTRUCTION</b>	Solid Cast Brass
<b>FINISH</b>	Antiqued Brass or Matte Black
<b>WIRE LEAD</b>	25 Feet of 18-2 Wire
<b>STAKE</b>	X-800 Heavy Duty Ground Stake
<b>LED LAMP</b>	<b>BL-20 / BL-21</b> 4 Watt or 6 Watt LED MR16 <b>BL-28</b> 4 Watt, 6 Watt, or 9 Watt LED MR16
<b>LED LAMP OPTIONS</b>	Bluetooth RGBW LED
<b>LENS</b>	Clear Glass
<b>OPTIONAL LENS</b>	Frosted, Honeycomb, Moonlight Blue
<b>DIMMABLE</b>	<b>BL-20 / BL-21 / BL-28</b>

DOWN LIGHTING



DL-24

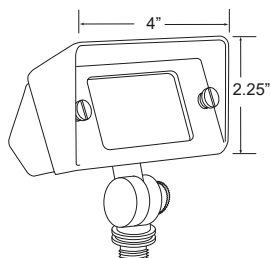


DL-25

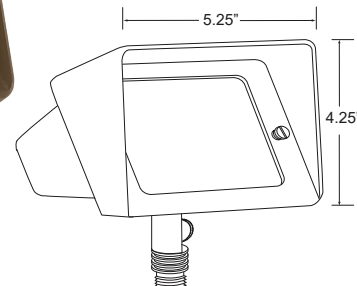
<b>APPLICATION</b>	Down Lighting of Trees, Homes and Structures	
<b>CONSTRUCTION</b>	Solid Cast Brass	
<b>FINISH</b>	Antiqued Brass	
<b>WIRE LEAD</b>	<b>DL-24 / DL-25</b>	50 Feet of 18-2 Wire
<b>LED LAMP</b>	<b>DL-25</b>	4 Watt, 6 Watt, or 9 Watt LED MR16
	<b>DL-24</b>	3 Watt LED MR11
<b>LED LAMP OPTIONS</b>	<b>DL-25</b>	Bluetooth RGBW LED
<b>LENS</b>	Clear Glass	
<b>OPTIONAL LENS</b>	Frosted, Honeycomb, Moonlight Blue	
<b>DIMMABLE</b>	<b>DL-24 / DL-25</b>	

# UP & DOWN WALL WASHER / FLOOD LIGHTING

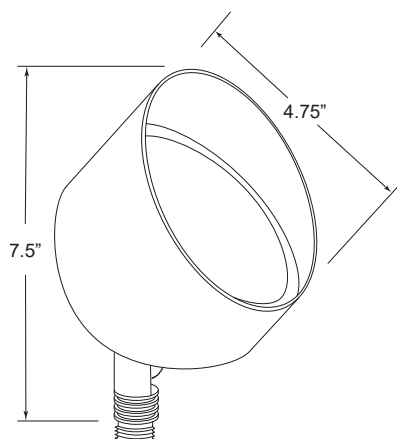
BRASS



**BL-30 / BL-30-MKD**



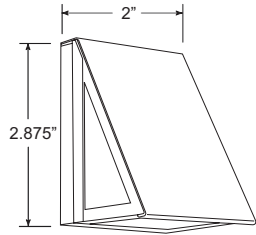
**BL-31 / BL-31-MKD**



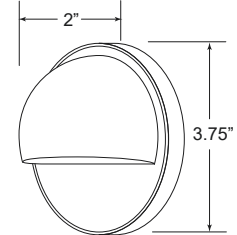
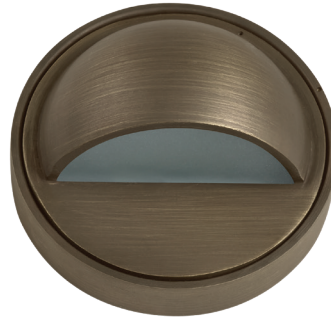
**BL-32**

<b>APPLICATION</b>	Up or Down Lighting of Walls, Signs, Buildings, Homes, Water Features and Structures	
<b>CONSTRUCTION</b>	Solid Cast Brass	
<b>FINISH</b>	Antiqued Brass	
<b>WIRE LEAD</b>	25 Feet of 18-2 Wire	
<b>STAKE</b>	<b>BL-30</b>	X-800 Heavy Duty Ground Stake
	<b>BL-31 / BL-32</b>	X-801 Heavy Duty Ground Stake
<b>LED LAMP</b>	<b>BL-30-MKD</b>	4 Watt LED Panel with Multi-Kelvin and Dimming
	<b>BL-31-MKD</b>	8 Watt LED Panel with Multi-Kelvin and Dimming
	<b>BL-32</b>	6, 10, 13 or 17 Watt LED Par 36
<b>LED LAMP OPTIONS</b>	<b>BL-30</b>	3 Watt, 4 Watt or 5 Watt G4 LED
	<b>BL-31</b>	4 Watt or 6 Watt LED MR16
	<b>BL-31</b>	20 Watt Super Bright LED Panel
	<b>BL-31 / BL-32</b>	Bluetooth RGBW LED
<b>LENS</b>	Clear and Frosted Glass	
<b>DIMMABLE</b>	<b>BL-30 / BL-31 / BL-32</b>	

DECK / STEP LIGHTING



SD-02



SD-46



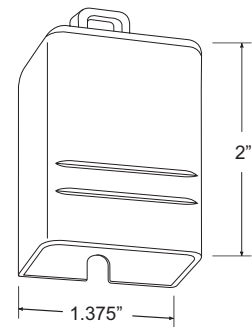
SD-03-AB



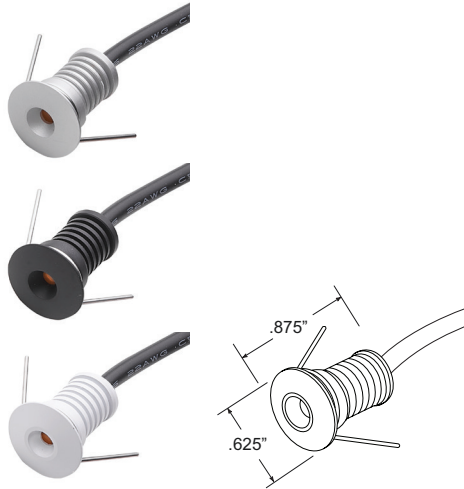
SD-03-BK



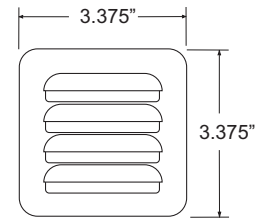
SD-03-WH



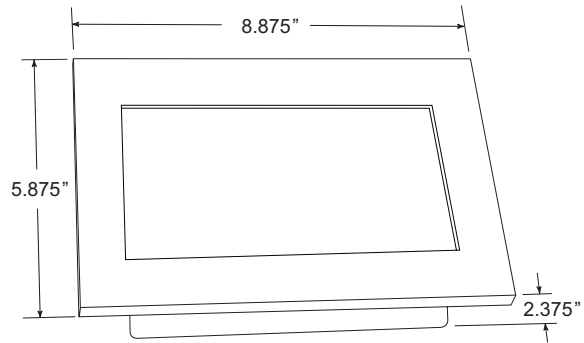
<b>APPLICATION</b>	Illuminating Decks, Steps, Posts, Outdoor Kitchens, Walls & Docks, Lanais	
<b>CONSTRUCTION</b>	Solid Brass	
<b>FINISH</b>	<b>SD-02 / SD-46</b>	Antiqued Brass or Matte Black
	<b>SD-03</b>	Antiqued Brass, Black or White
<b>WIRE LEAD</b>	25 Feet of 18-2 Wire	
<b>LED LAMP (Standard)</b>	<b>SD-02 / SD-46</b>	3 Watt LED G4 Bi-Pin
	<b>SD-03</b>	3 Watt LED Integrated
<b>LED LAMP OPTIONS</b>	<b>SD-02 / SD-46</b>	1 Watt, 2 Watt, 4 Watt or 5 Watt G4 Bi-Pin
<b>DIMMABLE</b>	<b>SD-02 / SD-46</b>	
<b>NON-DIMMABLE</b>	<b>SD-03</b>	



**MICRO LIGHTS**



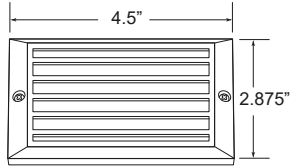
**SD-40**



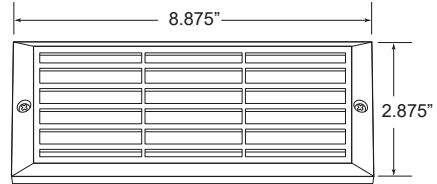
**SD-60 BRICK PAVER**

<b>APPLICATION</b>	Illuminating Decks, Steps, Posts, Outdoor Kitchens, Walls & Docks, Brick Pavers	
<b>CONSTRUCTION</b>	Solid Brass	
<b>FINISH</b>	<b>SD-40 / SD-60</b>	Antiqued Brass
	<b>MICRO LIGHTS</b>	Nickel, Black or White
<b>WIRE LEAD</b>	25 Feet of 18-2 Wire	
<b>LED LAMP</b>	<b>MICRO LIGHTS</b>	1 Watt LED Integrated
	<b>SD-40</b>	Integrated Adjustable CCT (Kelvin) Adjustable from 2200k to 5000k, Dimming Controlled with Remote
	<b>SD-60</b>	3 Watt LED Panel
<b>LENS</b>	Frosted Glass	
<b>DIMMABLE</b>	<b>SD-40</b> with Remote Controller	
<b>NON-DIMMABLE</b>	<b>SD-60 / MICRO LIGHTS</b>	

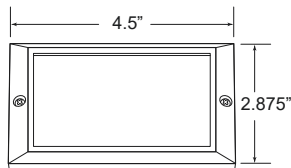
DECK / STEP LIGHTING



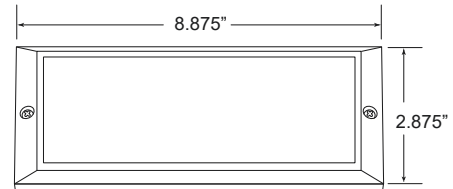
**SD-400**



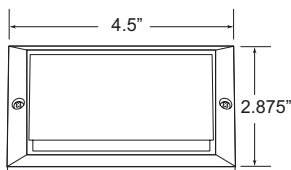
**SD-403**



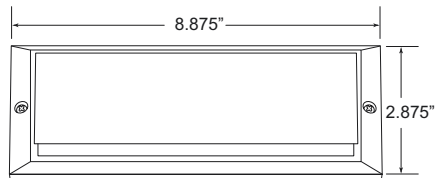
**SD-401**



**SD-404**

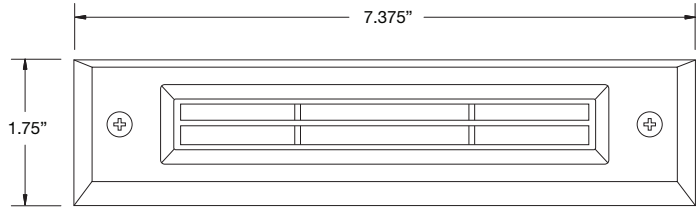
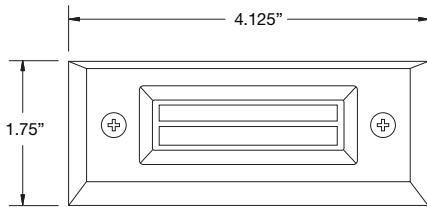
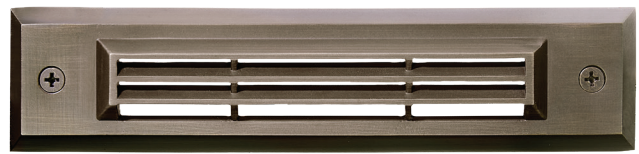
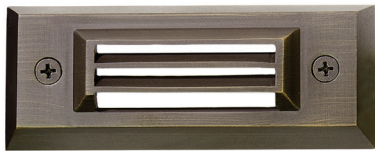


**SD-402**



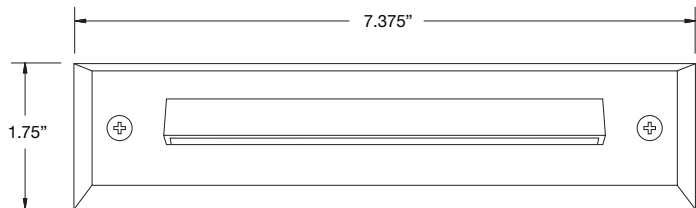
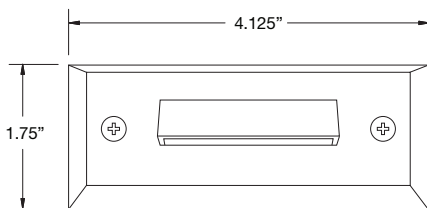
**SD-405**

<b>APPLICATION</b>	Illuminating Decks, Steps, Posts, Outdoor Kitchens, Walls & Docks
<b>CONSTRUCTION</b>	Solid Brass
<b>FINISH</b>	Antiqued Brass or Matte Black
<b>WIRE LEAD</b>	25 Feet of 18-2 Wire
<b>LED LAMP</b>	3 Watt LED Panel
<b>LENS</b>	Frosted Lens
<b>DIMMABLE</b>	<b>SD-400 / SD-401 / SD-402 / SD-403 / SD-404 / SD-405</b>



**SD-410**

**SD-413**

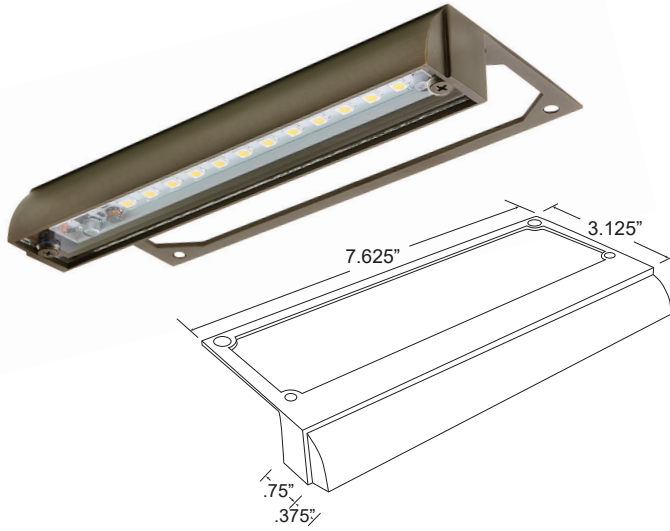


**SD-412**

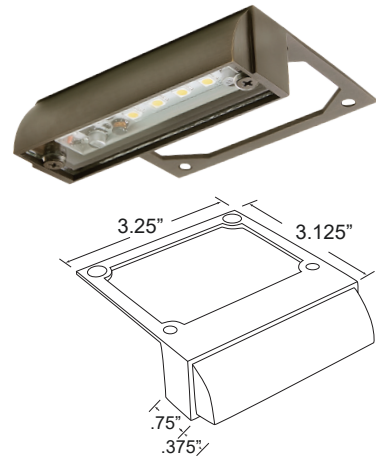
**SD-415**

<b>APPLICATION</b>	Illuminating Decks, Steps, Posts, Outdoor Kitchens, Walls & Docks
<b>CONSTRUCTION</b>	Solid Brass
<b>FINISH</b>	Antiqued Brass or Matte Black
<b>WIRE LEAD</b>	25 Feet of 18-2 Wire
<b>LED LAMP</b>	2 Watt LED Panel
<b>LENS</b>	Frosted Lens
<b>DIMMABLE</b>	<b>SD-410 / SD-412 / SD-413 / SD-415</b>

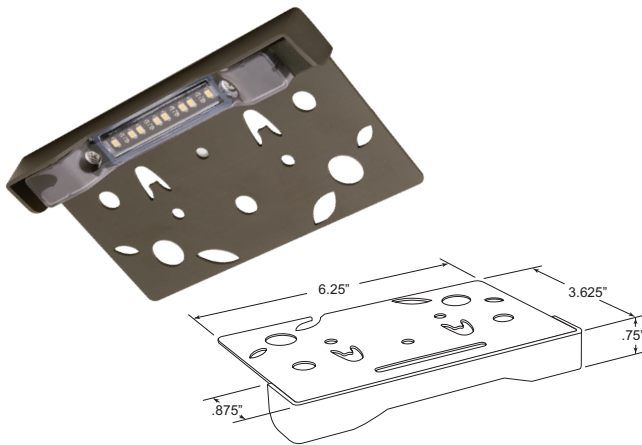
# HARDSCAPE LIGHTING



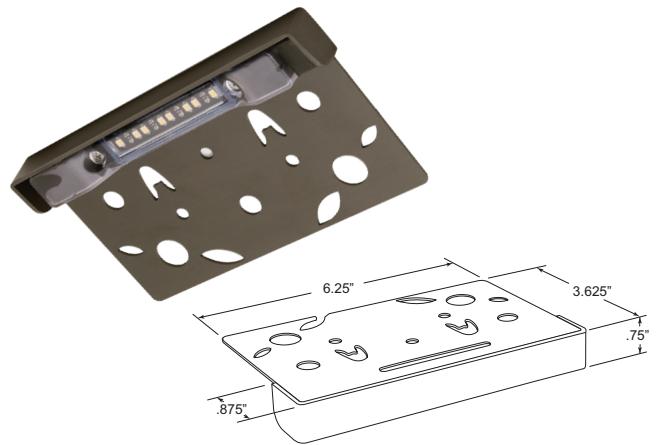
**SD-500-MKD**



**SD-501-MKD**

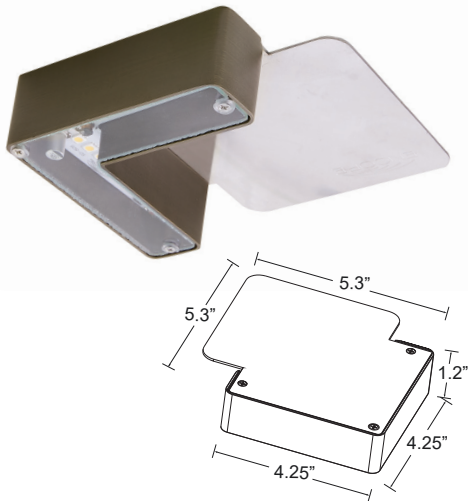


**SD-506-MKD**

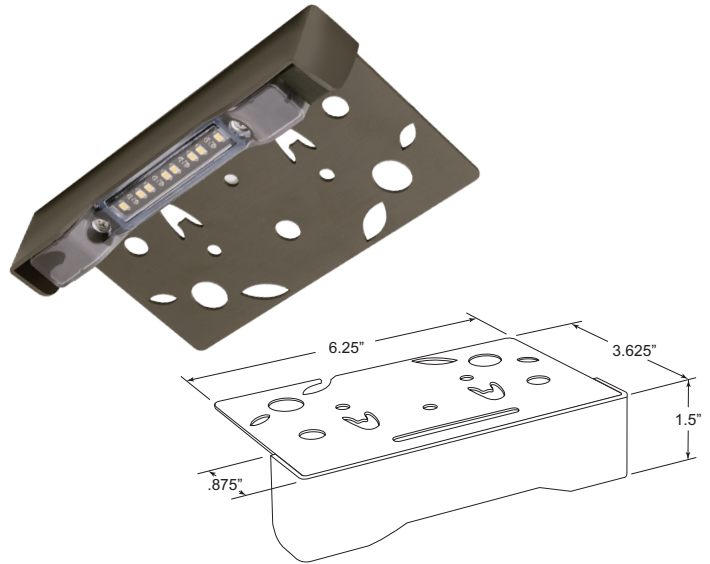


**SD-507-MKD**

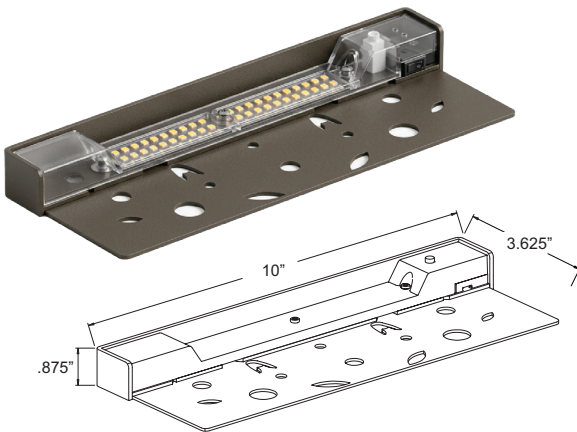
<b>APPLICATION</b>	Illuminating Retaining Walls, Seat Walls, Steps, Decks, Railings, Outdoor Kitchens	
<b>CONSTRUCTION</b>	Solid Brass	
<b>FINISH</b>	Antiqued Brass	
<b>WIRE LEAD</b>	25 Feet of 20-2 Wire	
<b>LED LAMP</b>	<b>SD-500-MKD</b>	3 Watt LED Module
	<b>SD-501-MKD</b>	2 Watt LED Module
	<b>SD-506-MKD</b>	3 Watt LED Module
	<b>SD-507-MKD</b>	3 Watt LED Module
<b>ADJUSTABLE KELVIN</b>	2700K, 3000K, 4000K	
<b>DIMMING FEATURES</b>	40%, 60%, 80% and Full Brightness	



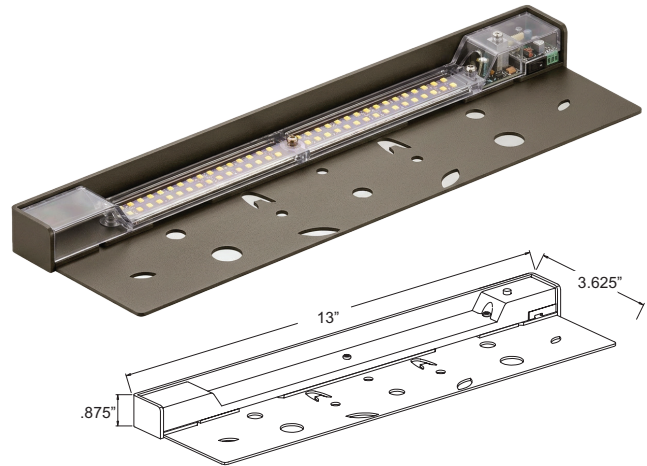
**SD-505-MKD**



**SD-508-RGBW**



**SD-510-MKD**



**SD-513-MKD**

<b>APPLICATION</b>	Illuminating Retaining Walls, Seat Walls, Steps, Decks, Railings, Outdoor Kitchens	
<b>CONSTRUCTION</b>	Solid Brass	
<b>FINISH</b>	Antiqued Brass	
<b>WIRE LEAD</b>	25 Feet of 20-2 Wire	
<b>LED LAMP</b>	<b>SD-505-MKD</b>	3 Watt LED Module
	<b>SD-508-RGBW</b>	3 Watt LED RGBW Bluetooth Module
	<b>SD-510-MKD</b>	4 Watt LED Module
	<b>SD-513-MKD</b>	4 Watt LED Module
<b>ADJUSTABLE KELVIN</b>	2700K, 3000K, 4000K	
<b>DIMMING FEATURES</b>	40%, 60%, 80% and Full Brightness	

# UP LIGHTING / DECK / PAVER / INGROUND LIGHTING

BRASS



WL-80



WL-81



WL-83



WL-84



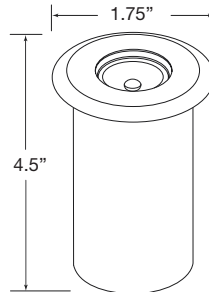
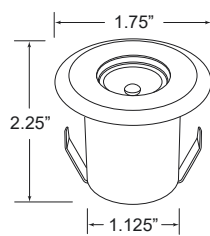
WL-85



WL-86



WL-87



- Nickel
- Black
- White
- Antique Brass

<b>APPLICATION</b>	Up Lighting of Trees, Walls, Homes, Columns, Pillars, Steps, Walkways
<b>CONSTRUCTION</b>	Solid Cast Brass with Composite Sleeve
<b>FINISH</b>	Antiqued Brass, Black, Nickel, White
<b>WIRE LEAD</b>	25 Feet of 18-2 Wire
<b>LED LAMP</b>	3 Watt LED MR8
<b>LENS</b>	Clear Flat Glass
<b>OPTIONAL LENS</b>	Frosted Flat Glass
<b>DIMMABLE</b>	<b>WL-80 / WL-81 / WL-83 / WL-84 / WL-85 / WL-86 / WL-87</b>



WL-91



WL-93



WL-94



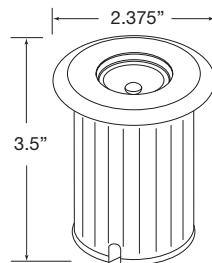
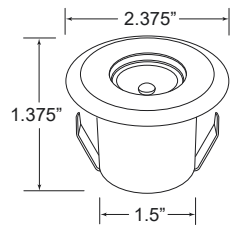
WL-95



WL-96



WL-97



- Nickel
- Black
- White
- Antique Brass

**APPLICATION** Illuminating Walks, Pathways, Outdoor Kitchens, Soffit Lighting, Wall Lighting

**CONSTRUCTION** Stainless Steel with Composite Sleeve

**FINISH** Nickel, Black, White or Antiqued Brass

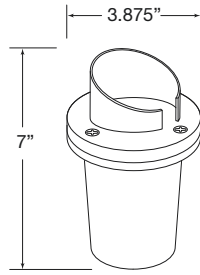
**WIRE LEAD** 25 Feet of 18-2 Wire

**LED LAMP** 1 Watt or 3 Watt Integrated LED

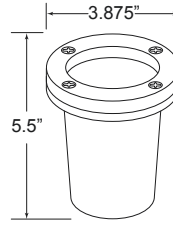
**LENS** Clear Flat Glass

**DIMMABLE** No

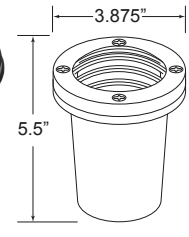
## INGROUND WELL LIGHTING



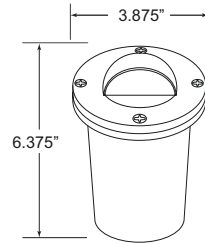
WL-100



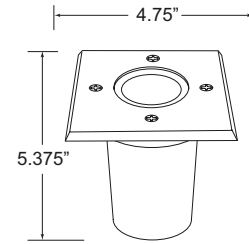
WL-101



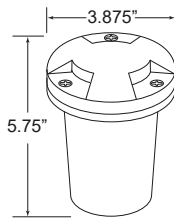
WL-102



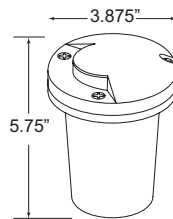
WL-103



WL-105



WL-104



WL-106

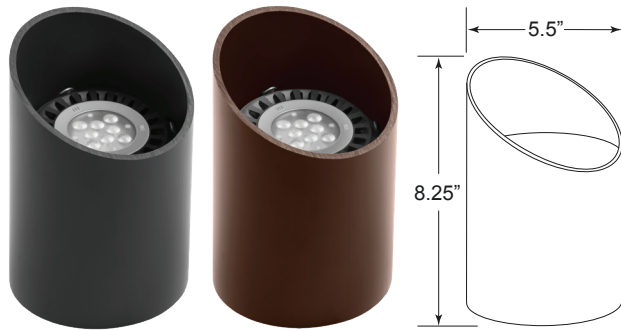


WL-107

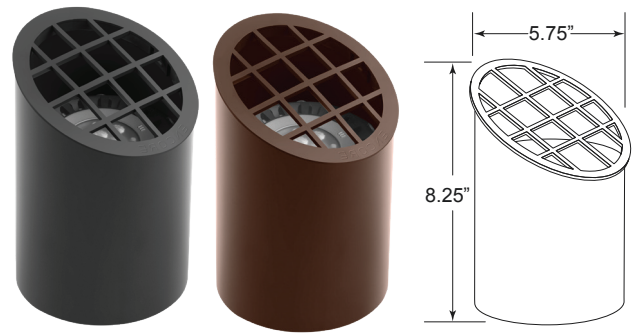
<b>APPLICATION</b>	Up Lighting of Trees, Walls, Homes, Columns, Pillars, Steps, Walkways
<b>CONSTRUCTION</b>	Solid Cast Brass Cover and Body with Composite Sleeve
<b>FINISH</b>	Antiqued Brass
<b>WIRE LEAD</b>	25 Feet of 18-2 Wire
<b>STAKE</b>	X-800 Heavy Duty Ground Stake
<b>LED LAMP</b>	4, 6, or 9 Watt LED MR16
<b>LED LAMP OPTIONS</b>	Bluetooth RGBW LED
<b>LENS</b>	Clear Flat Glass
<b>OPTIONAL LENS</b>	Frosted Flat Glass
<b>OPTIONAL COVER</b>	X-100-BRASS RING to be used as a Debris Guard when installed in Mulch or Turf
<b>SPECIAL FEATURES</b>	Brass Body and Cover with Composite Sleeve for Easy Installation in Concrete and Pavers. Each Fixture comes with an X-800 Stake for stable Installation
<b>DIMMABLE</b>	<b>WL-100 / WL-81 / WL-101 / WL-102 / WL-103</b> <b>WL-104 / WL-105 / WL-106 / WL-107</b>

# WELL LIGHTS & INGROUND LIGHTS

COMPOSITE / BRASS



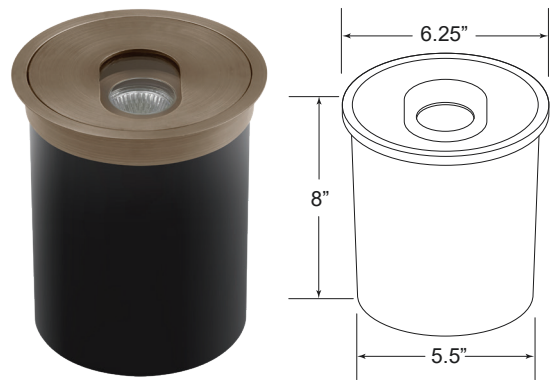
**WL-235-BK / WL-235-LB**



**WL-335-BK / WL-335-LB**



**WL-435-BK / WL-435-LB**

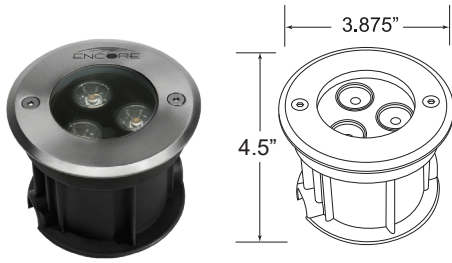


**WL-113**

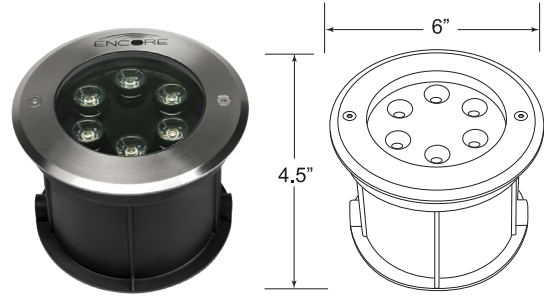
<b>APPLICATION</b>	Up Lighting of Trees, Walls, Homes, Columns, Pillars
<b>CONSTRUCTION</b>	Composite Body with Stainless Steel Adjustable Gimble Ring
	<b>WL-235</b> No Cover
	<b>WL-335</b> Composite Cover
	<b>WL-435</b> Solid Cast Brass Cover with Glass
	<b>WL-113</b> Solid Cast Brass Cover with Glass
<b>FINISH</b>	Black or Brown
<b>WIRE LEAD</b>	25 Feet of 18-2 Wire
<b>LED LAMP</b>	<b>WL-235 / WL-335 / WL-435</b> 6, 10, 13, or 17 Watt LED PAR36
	<b>WL-113</b> 4, 6, or 9 Watt LED MR16
<b>LED LAMP OPTIONS</b>	Bluetooth RGBW LED
<b>OPTIONAL LENS</b>	Clear or Frosted Glass Lens
<b>DIMMABLE</b>	<b>WL-235 / WL-335 / WL-435 / WL-113</b>

# WELL LIGHTS & INGROUND LIGHTS

COMPOSITE / STAINLESS



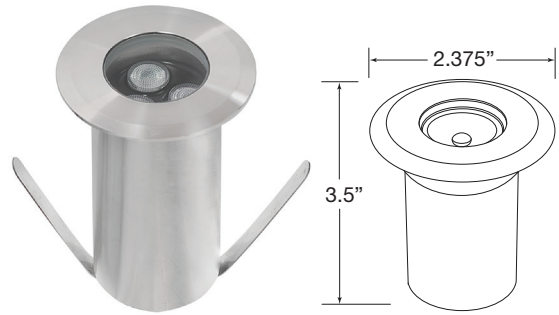
**UL-54-3W**



**UL-54-6W**

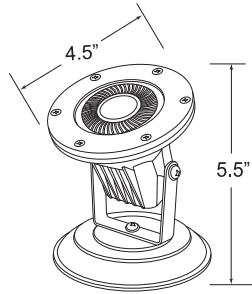


**UL-54-9W**

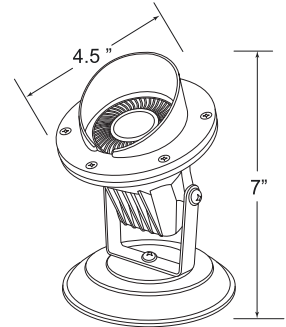


**UL-53-9W**

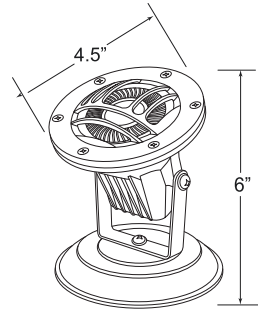
<b>APPLICATION</b>	Underwater and Inground Up Lighting
<b>CONSTRUCTION</b>	Stainless Steel Fixture with Composite Body Sleeve
<b>FINISH</b>	Stainless Steel
<b>WIRE LEAD</b>	25 Feet of 18-2 Wire
<b>LED LAMP</b>	Integrated LED 3 Watt, 6 Watt or 9 Watt
<b>LENS</b>	Clear Flat Glass
<b>DIMMABLE</b>	No



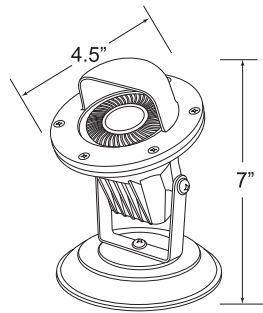
UL-55



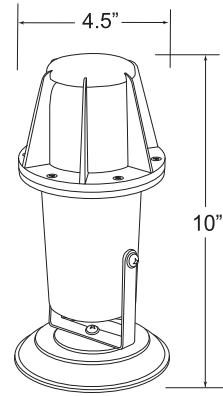
UL-56



UL-57



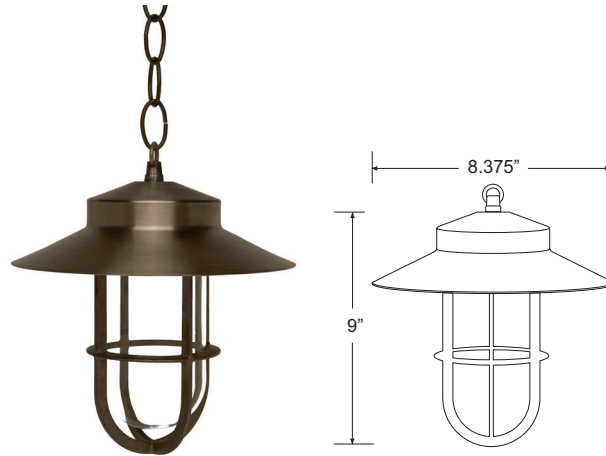
UL-58



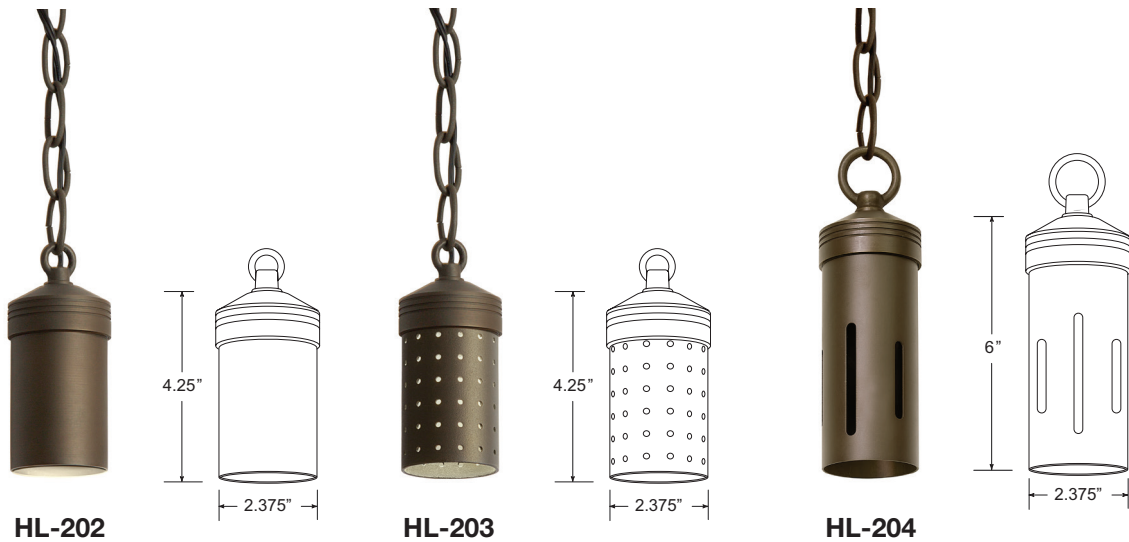
UL-59

<b>APPLICATION</b>	Underwater and Up Lighting
<b>CONSTRUCTION</b>	Solid Cast Brass
<b>FINISH</b>	Natural Brass
<b>WIRE LEAD</b>	25 Feet of 18-2 Wire
<b>LED LAMP</b>	4 Watt or 6 Watt LED MR16
<b>LED LAMP OPTIONS</b>	Bluetooth RGBW LED MR16
<b>LENS</b>	Clear Flat Glass
<b>DIMMABLE</b>	<b>UL-55 / UL-56 / UL-57 / UL-58 / UL-59</b>

## HANGING LIGHTS



HL-201



HL-202

HL-203

HL-204

<b>APPLICATION</b>	Illuminating Decks, Porches, Outdoor Kitchens, Sun Rooms, Gazebos, Patios	
<b>CONSTRUCTION</b>	Solid Brass	
<b>FINISH</b>	Antiqued Brass	
<b>WIRE LEAD</b>	25 Feet of 18-2 Wire	
<b>LED LAMP</b>	<b>HL-201</b>	Medium Base A19 12 Volt or 120 Volt LED
	<b>HL-203 / HL-204</b>	4 Watt LED G4 Bi-Pin
	<b>HL-202</b>	4 Watt or 6 Watt LED MR16
<b>LED LAMP OPTIONS</b>	<b>HL-201</b>	Bluetooth RGBW LED A-19
	<b>HL-202 / HL-203 / HL-204</b>	1 Watt, 2 Watt, 3 Watt, 5 Watt LED G4 Bi-Pin 3 Watt MR8 or MR11 LED 4 Watt or 6 Watt MR16 LED Bluetooth RGBW LED MR16 or G4 Bi-Pin
<b>DIMMABLE</b>	<b>HL-210 / HL-202 / HL-203 / HL-204</b>	



**HL-02-SP**



**HL-02-B-SP**



**HL-09-A-SP**



**HL-09-F-SP**



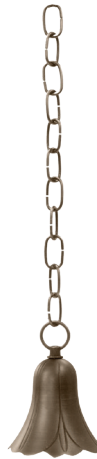
**HL-09-H-SP**



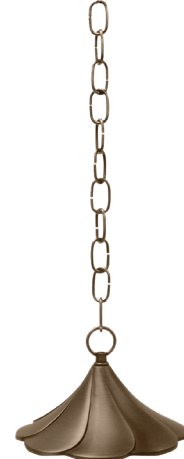
**HL-02-B**



**HL-06**



**HL-12**



**HL-14**

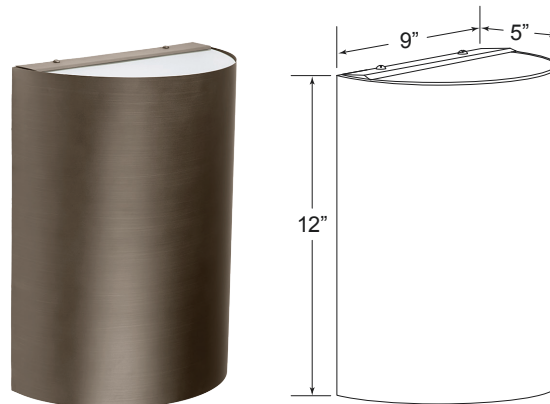
<b>APPLICATION</b>	Illuminating Decks, Porches, Outdoor Kitchens, Sun Rooms, Gazebos, Patios
<b>CONSTRUCTION</b>	Solid Brass
<b>FINISH</b>	Antiqued Brass
<b>WIRE LEAD</b>	25 Feet of 18-2 Wire
<b>LED LAMP</b>	3 Watt LED G4 Bi-Pin
<b>LED LAMP OPTIONS</b>	1 Watt, 2 Watt, 4 Watt, 5 Watt LED G4 Bi-Pin Bluetooth RGBW LED G4 Bi-Pin
<b>LENS</b>	Clear and Frosted Glass Dome
<b>DIMMABLE</b>	<b>HL-02-SP / HL-02-B-SP / HL-09-A-SP / HL-09-F-SP / HL-09-H-SP</b> <b>HL-02-B / HL-06 / HL-12 / HL-14</b>

## WALL SCONCES



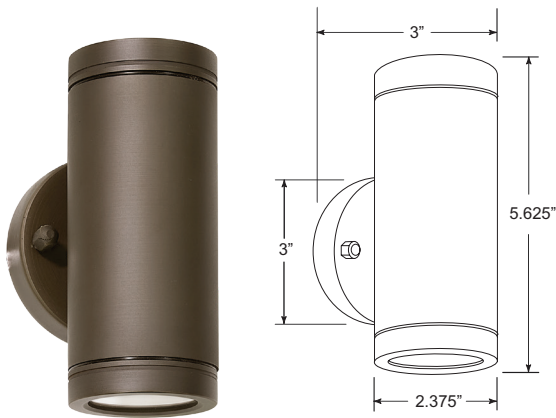
WS-01

WS-02

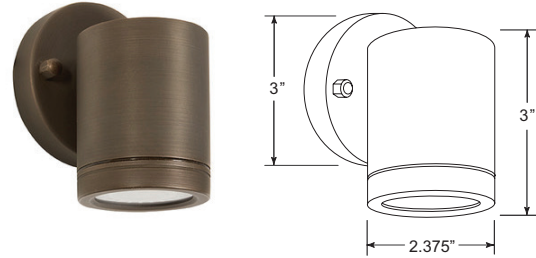


WS-03

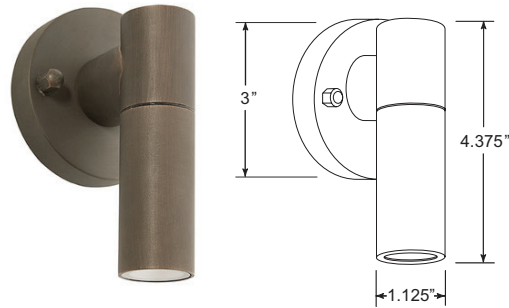
<b>APPLICATION</b>	Illuminating Front Entrance Ways, Porches, Decks, Walls, Garages
<b>CONSTRUCTION</b>	Solid Brass
<b>FINISH</b>	Antiqued Brass
<b>WIRE LEAD</b>	25 Feet of 18-2 Wire
<b>LED LAMP</b>	<b>WS-01 / WS-02</b> (2) 3 Watt LED Bi-Pin <b>WS-03</b> (2) Medium Base A-19 LED (12v or 120v)
<b>LED LAMP OPTIONS</b>	Bluetooth RGBW LED
<b>DIMMABLE</b>	<b>WS-01 / WS-02 / WS-03</b>



**WS-04**



**WS-05**

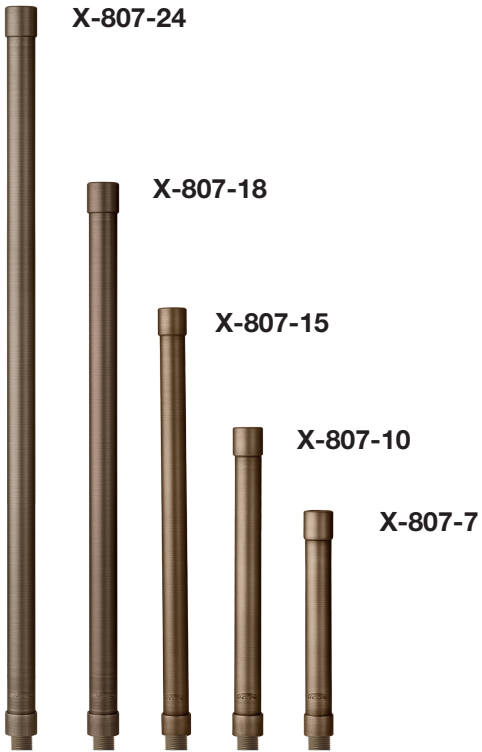


**WS-06**

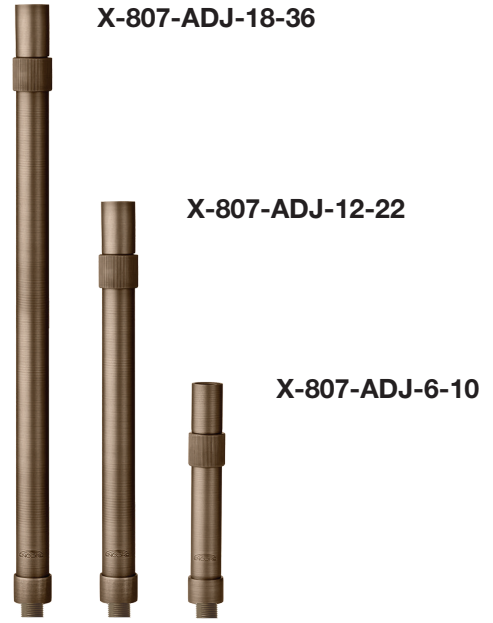
<b>APPLICATION</b>	Illuminating Front Entrance Ways, Porches, Decks, Walls, Garages	
<b>CONSTRUCTION</b>	Solid Brass	
<b>FINISH</b>	Antiqued Brass	
<b>WIRE LEAD</b>	25 Feet of 18-2 Wire	
<b>LED LAMP</b>	<b>WS-04</b>	(2) 4 Watt LED MR16
	<b>WS-05</b>	4 Watt LED MR16
	<b>WS-06</b>	3 Watt LED Integrated
<b>LED LAMP OPTIONS</b>	<b>WS-04</b>	Bluetooth RGBW LED MR16
	<b>WS-05</b>	Bluetooth RGBW LED MR16
<b>DIMMABLE</b>	<b>WS-04 / WS-05 / WS-06</b>	

# ACCESSORIES

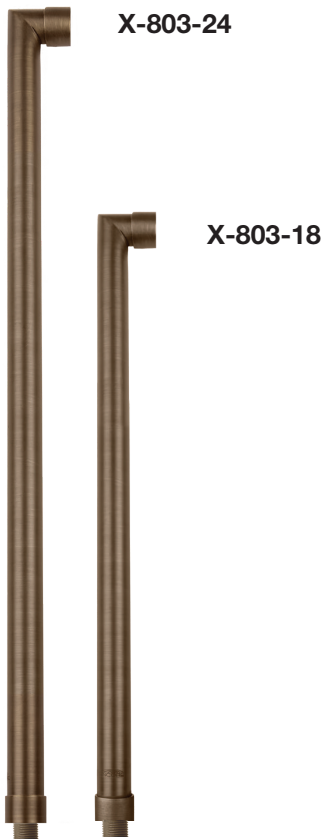
## RISER EXTENSIONS



## ADJUSTABLE RISER EXTENSIONS



## ELBOWED POST



## TEE POST



## PERFECT POST ASSEMBLY



STAKES



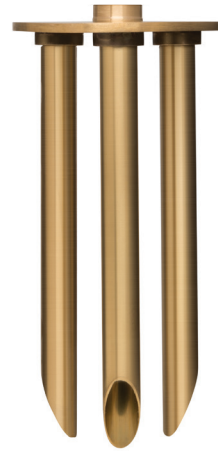
X-800



X-801



X-802



X-805

SURFACE MOUNT



X-813-AB



X-813-BK



X-819-AB  
X-819-BK

TREE MOUNT



X-815

GUTTER MOUNT



X-818

WIRE NUTS



X-WC-2



X-WC-3



VOLTAGE BALANCER



X-900

# ACCESSORIES



**X-811**



**X-821**



**X-825**



**X-826**



**X-100-BRASS RING**



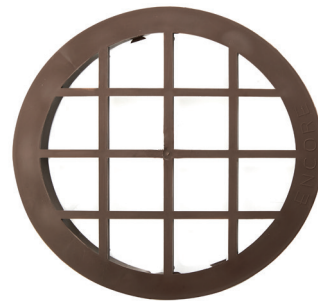
**X-300-BRASS COVER-BK**



**X-300-BRASS COVER-LB**



**X-300-GRATE-BK**



**X-300-GRATE-LB**



**GIMBLE RING**



**ARCH**



**CONE**



**X-GLASS DOME - CLEAR**



**X-BRASS TEE**



**X-804 BRASS ELBOW**



**X-816**



**X-GLASS DOME - FROSTED**



**X-BRASS COUPLER-SMALL**



**X-BRASS COUPLER**



**X-BRASS COUPLER-XL**



**X-BRASS FINIAL**



**X-BRASS NIPPLE**



**X-BRASS NIPPLE-LONG**



**X-BRASS NIPPLE-EXTENDER**



**X-SOCKET-G6.35**

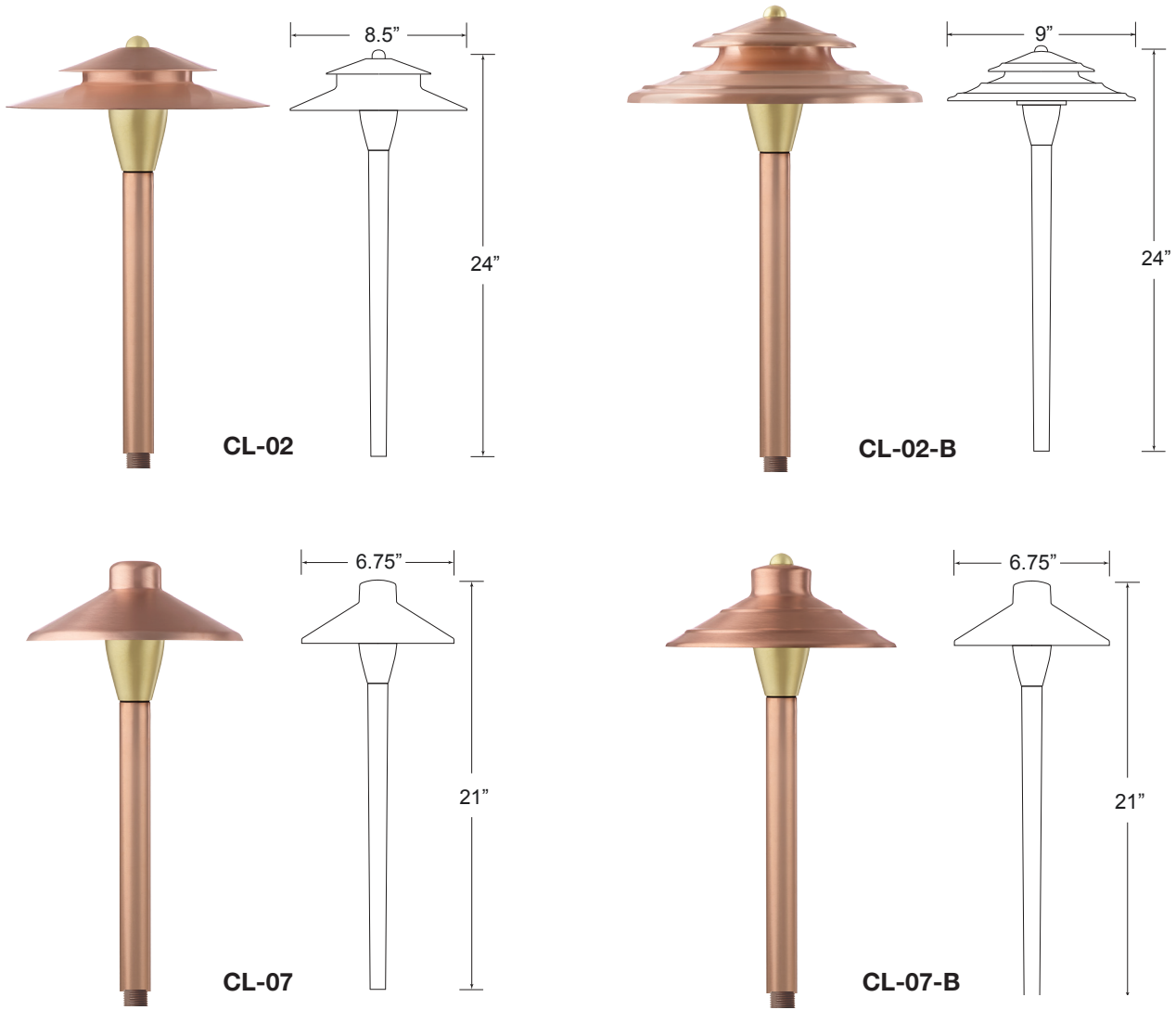


**X-BRASS SOCKET POST**

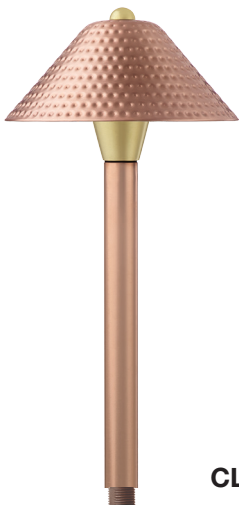


**X-BRASS KNOB**

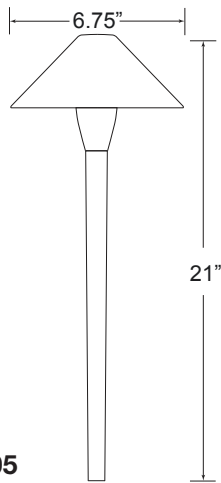
PATH & AREA LIGHTING



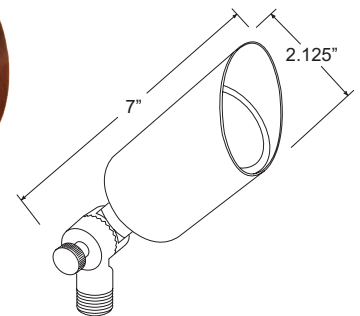
<b>APPLICATION</b>	Illuminating Pathways, Bed Areas and Driveways	
<b>CONSTRUCTION</b>	Copper Shade with Solid Copper Post	
<b>FINISH</b>	Copper	
<b>WIRE LEAD</b>	25 Feet of 18-2 Wire	
<b>STAKE</b>	X-801 Heavy Duty Ground Stake	
<b>LED LAMP (Standard)</b>	3 Watt LED G4 Bi-Pin	
<b>LED LAMP OPTIONS</b>	1 Watt, 2 Watt, 4 Watt, 5 Watt LED G4 Bi-Pin Bluetooth RGBW LED	
<b>LENS</b>	Clear and Frosted Glass Dome	
<b>HEIGHT</b>	<b>CL-02 / CL-02-B</b> 24"	<b>Light Spread:</b> 10-12'
	<b>CL-07 / CL-07-B</b> 21"	<b>Light Spread:</b> 8-10'
<b>DIMMABLE</b>	<b>CL-02 / CL-02-B / CL-07 / CL-07-B</b>	



CL-05



CL-21



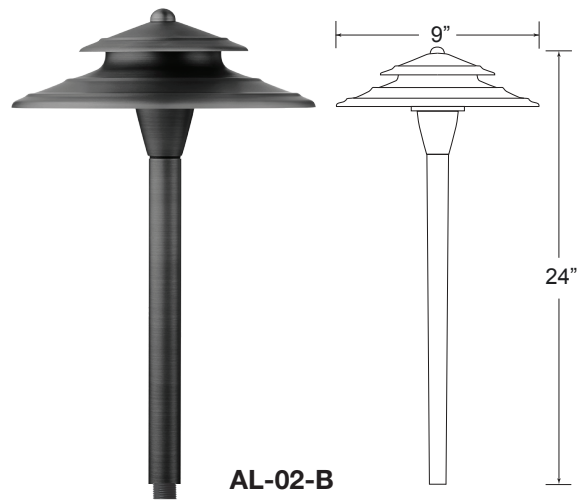
<b>APPLICATION</b>	<b>CL-05</b>	Illuminating Pathways, Bed Areas and Driveways
	<b>CL-21</b>	Up Lighting of Trees, Walls, Homes
<b>CONSTRUCTION</b>	Heavy Copper and Brass	
<b>FINISH</b>	Copper	
<b>WIRE LEAD</b>	25 Feet of 18-2 Wire	
<b>STAKE</b>	X-801 Heavy Duty Ground Stake	
<b>LED LAMP</b>	<b>CL-05</b>	3 Watt LED G4 Bi-Pin
	<b>CL-21</b>	4 Watt, 6 Watt, 9 Watt LED MR16
<b>LED LAMP OPTIONS</b>	<b>CL-05</b>	1 Watt, 2 Watt, 4 Watt, 5 Watt LED G4 Bi-Pin
	<b>CL-05 / CL-21</b>	Bluetooth RGBW LED
<b>LENS</b>	<b>CL-05</b>	Clear and Frosted Glass Dome
	<b>CL-21</b>	Clear Convex Lens
<b>HEIGHT</b>	<b>CL-05</b> 21"	<b>Light Spread:</b> 8-10'
<b>DIMMABLE</b>	<b>CL-05 / CL-21</b>	

# PATH & AREA LIGHTING

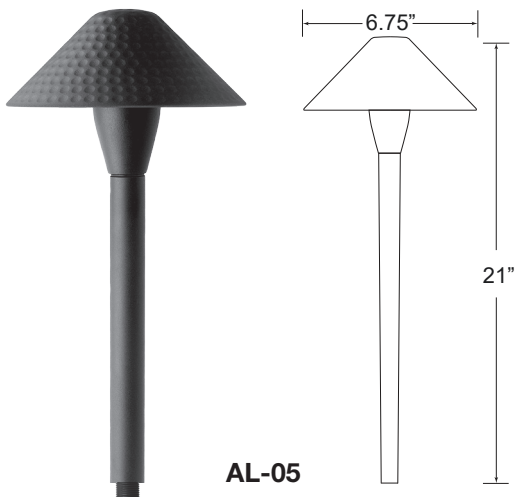
ALUMINUM



**AL-02**



**AL-02-B**

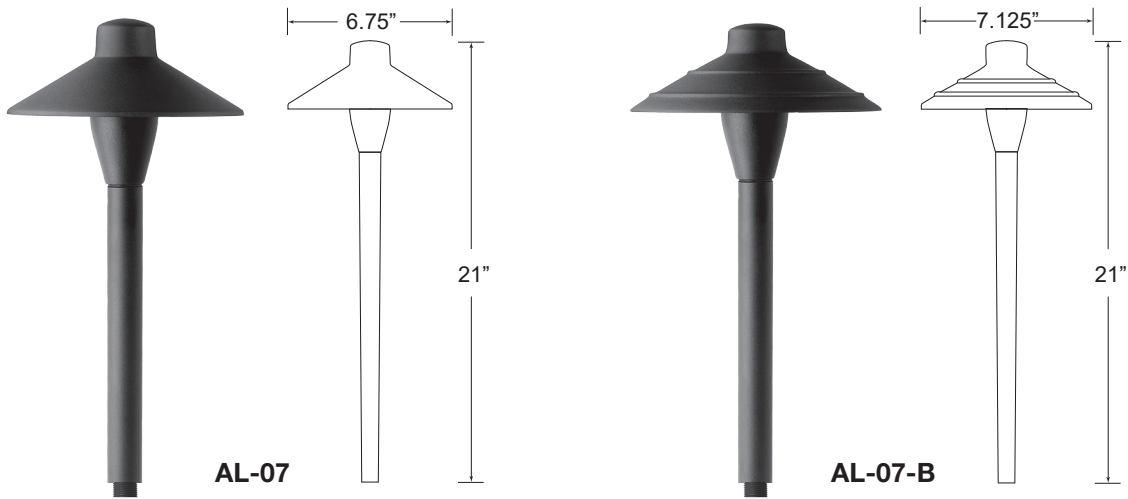


**AL-05**



**AL-06**

<b>APPLICATION</b>	Illuminating Pathways, Bed Areas and Driveways		
<b>CONSTRUCTION</b>	Die Cast Aluminum Shade and Post		
<b>FINISH</b>	Textured Back		
<b>WIRE LEAD</b>	25 Feet of 18-2 Wire		
<b>STAKE</b>	X-801 Heavy Duty Ground Stake		
<b>LED LAMP (Standard)</b>	3 Watt LED G4 Bi-Pin		
<b>LED LAMP OPTIONS</b>	1 Watt, 2 Watt, 4 Watt, 5 Watt LED G4 Bi-Pin Bluetooth RGBW LED		
<b>LENS</b>	Clear and Frosted Glass Dome		
<b>HEIGHT</b>	<b>AL-02 / AL-02-B</b>	24"	<b>Light Spread:</b> 10-12'
	<b>AL-05</b>	21"	<b>Light Spread:</b> 8-10'
	<b>AL-06</b>	21"	<b>Light Spread:</b> 8-10'
<b>DIMMABLE</b>	<b>AL-02 / AL-02-B / AL-05 / AL-06</b>		



<b>APPLICATION</b>	Illuminating Pathways, Bed Areas and Driveways	
<b>CONSTRUCTION</b>	Die Cast Aluminum Shade and Post	
<b>FINISH</b>	Textured Back	
<b>WIRE LEAD</b>	25 Feet of 18-2 Wire	
<b>STAKE</b>	X-801 Heavy Duty Ground Stake	
<b>LED LAMP (Standard)</b>	3 Watt LED G4 Bi-Pin	
<b>LED LAMP OPTIONS</b>	1 Watt, 2 Watt, 4 Watt, 5 Watt LED G4 Bi-Pin Bluetooth RGBW LED	
<b>LENS</b>	Clear and Frosted Glass Dome	
<b>HEIGHT</b>	<b>AL-07 / AL-07-B</b> 21"	<b>Light Spread:</b> 8-10'
<b>DIMMABLE</b>	<b>AL-07 / AL-07-B</b>	

# PATH & AREA LIGHTING

ALUMINUM



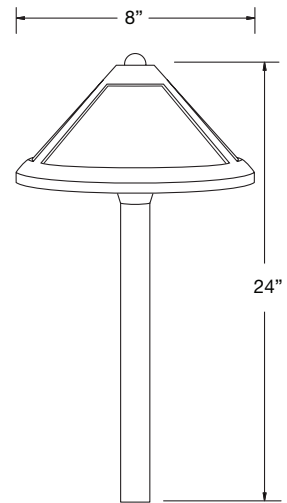
AL-09-A



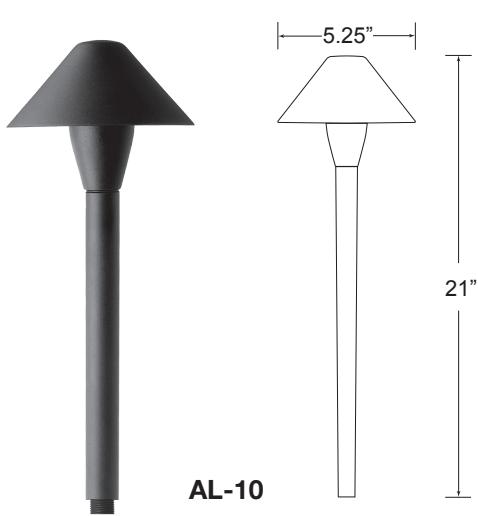
AL-09-F



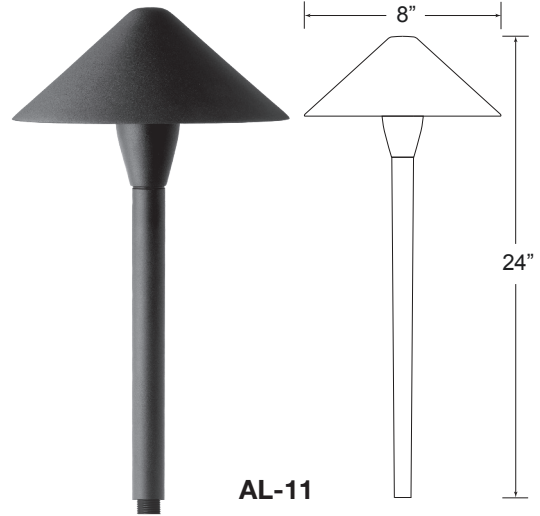
AL-09-H



<b>APPLICATION</b>	Illuminating Pathways, Bed Areas and Driveways
<b>CONSTRUCTION</b>	Die Cast Aluminum Post, Glass Shade with Brass Frame
<b>FINISH</b>	Textured Back
<b>WIRE LEAD</b>	25 Feet of 18-2 Wire
<b>STAKE</b>	X-801 Heavy Duty Ground Stake
<b>LED LAMP (Standard)</b>	3 Watt LED G4 Bi-Pin
<b>LED LAMP OPTIONS</b>	1 Watt, 2 Watt, 4 Watt, 5 Watt LED G4 Bi-Pin
<b>LENS</b>	Clear and Frosted Glass Dome
<b>HEIGHT</b>	<b>AL-09</b> 24" <b>Light Spread:</b> 10-12'
<b>DIMMABLE</b>	<b>AL-09-A / AL-09-F / AL-09-H</b>



AL-10



AL-11



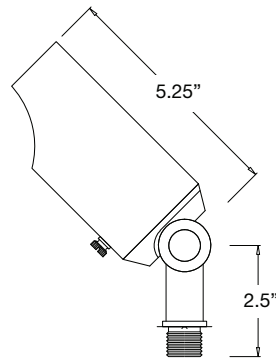
AL-13



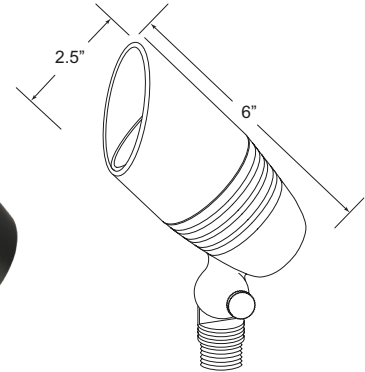
AL-14

<b>APPLICATION</b>	Illuminating Pathways, Bed Areas and Driveways	
<b>CONSTRUCTION</b>	Die Cast Aluminum Shade and Post	
<b>FINISH</b>	Textured Back	
<b>WIRE LEAD</b>	25 Feet of 18-2 Wire	
<b>STAKE</b>	X-801 Heavy Duty Ground Stake	
<b>LED LAMP (Standard)</b>	3 Watt LED G4 Bi-Pin	
<b>LED LAMP OPTIONS</b>	1 Watt, 2 Watt, 4 Watt, 5 Watt LED G4 Bi-Pin Bluetooth RGBW LED	
<b>LENS</b>	Clear and Frosted Glass Dome	
<b>HEIGHT</b>	<b>AL-10 / AL-13</b> 21"	<b>Light Spread:</b> 6-8'
	<b>AL-11 / AL-14</b> 24"	<b>Light Spread:</b> 8-10'
<b>DIMMABLE</b>	<b>AL-10 / AL-11 / AL-13 / AL-14</b>	

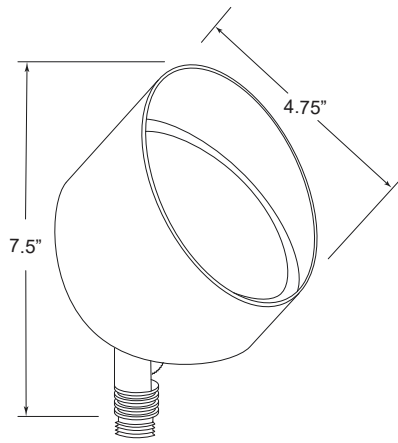
UP & DOWN LIGHTING



AL-21



AL-28

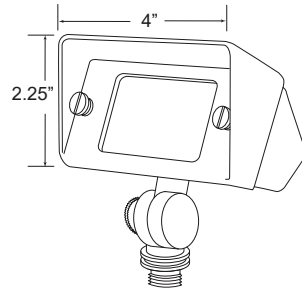


AL-32

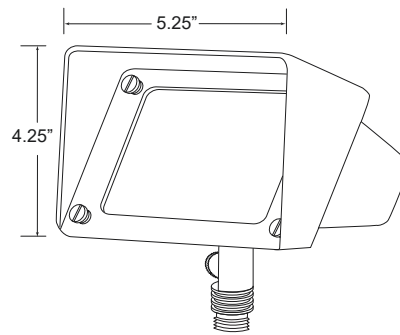
<b>APPLICATION</b>	Up or Down Lighting of Trees, Homes and Structures	
<b>CONSTRUCTION</b>	Die Cast Aluminum	
<b>FINISH</b>	Textured Black	
<b>WIRE LEAD</b>	25 Feet of 18-2 Wire	
<b>STAKE</b>	<b>AL-21 / AL-28</b>	X-800 Heavy Duty Ground Stake
	<b>AL-32</b>	X-801 Heavy Duty Ground Stake
<b>LED LAMP</b>	<b>AL-21</b>	4 Watt or 6 Watt LED MR16
	<b>AL-28</b>	4 Watt, 6 Watt, or 9 Watt LED MR16
	<b>AL-32</b>	6 Watt, 10 Watt, 13 Watt, or 17 Watt PAR36
<b>LED LAMP OPTIONS</b>	Bluetooth RGBW LED	
<b>LENS</b>	Clear Glass	
<b>OPTIONAL LENS</b>	Frosted, Honeycomb, Moonlight Blue	
<b>DIMMABLE</b>	<b>AL-21 / AL-28 / AL-32</b>	

# UP & DOWN WALL WASHER / FLOOD LIGHTING

ALUMINUM



**AL-30-MKD**



**AL-31-MKD**

<b>APPLICATION</b>	Up or Down Lighting of Walls, Signs, Buildings, Homes, Water Features and Structures	
<b>CONSTRUCTION</b>	Die Cast Aluminum	
<b>FINISH</b>	Textured Black	
<b>WIRE LEAD</b>	25 Feet of 18-2 Wire	
<b>STAKE</b>	<b>AL-30-MKD</b>	X-800 Heavy Duty Ground Stake
	<b>AL-31-MKD</b>	X-801 Heavy Duty Ground Stake
<b>LED LAMP</b>	<b>AL-30-MKD</b>	4 Watt LED Panel with Multi-Kelvin and Dimming
	<b>AL-31-MKD</b>	8 Watt LED Panel with Multi-Kelvin and Dimming
<b>LED LAMP OPTIONS</b>	<b>AL-31</b>	20 Watt Super Bright LED Panel
	<b>AL-31</b>	Bluetooth RGBW LED
<b>LENS</b>	Clear, Frosted and Linear Glass	
<b>ADJUSTABLE KELVIN</b>	2700K, 3000K, 4000K	
<b>DIMMING FEATURES</b>	40%, 60%, 80% and Full Brightness	

# TRANSFORMERS



TR-75SS-15



TR-150SS-15



TR-300SS-15



TR-600SS-22

## Multi-Tap Transformers (WiFi Compatible)

- Construction:** 304 Stainless Steel
- Taps:** 12-15 Volt Transformers are 12, 13, 14, & 15
- Taps:** 12-22 Volt Transformers are 12, 13, 14, 15, 16, 17, 18, 20, & 22
- Primary Protection:** Automatic thermal reset breaker
- Secondary Protection:** 25 amp, 300 watt magnetic breaker with reset switch
- Torodial Core:** Epoxy sealed core which is silent and up to 10% more efficient, runs much cooler than laminated cores
- Terminal:** Extra large 125 amp terminal blocks, holds (8) 12/2 wire
- Internal Wiring:** Non-corrosive, tin coated marine grade, dedicated current loop to measure primary amperage.
- Timer Receptacle:** Standard receptacle for plug and play options
- Photo Cell Plug:** Dedicated plug for easy installation of photo cell
- Child Proof Safety:** Lockable latched door to prevent access

Model	Volts	Wattage	Max Amps	Dimensions	Weight
TR-75SS-15	12, 15	75 watts	.625 amps	6 1/2" L x 3 3/4" W x 4 1/4" D	8 lbs
TR-150SS-15	12, 13, 14, 15	150 watts	1.25 amps	11 3/4" L x 6" W x 5 1/2" D	15 lbs
TR-300SS-15	12, 13, 14, 15	300 watts	2.5 amps	13" L x 6 1/2" W x 6" D	18 lbs
TR-600SS-22	12, 13, 14, 15, 16, 18, 20, 22	600 watts	5.0 amps	16 1/4" L x 6" W x 5 1/2" D	32 lbs

# TRANSFORMER ACCESSORIES



**X-TM**



**X-PC-25**



**X-TM-DM**



**X-TM-ASTRO**



**X-WIFI SMART PLUG**



**X-PC**

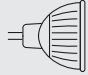
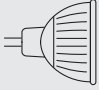
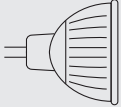


**X-DIMMER**



**X-PC-BYPASS PLUG**

# LAMP GUIDE

Lamp Type	Part Number	Watts	Volts	Beam Spread	Base	Lumens/ CBCP	Color Temp	Rated Life (Hours)	Dimmable
<b>LED MR8</b> 	LA-LED-MR8-3W-2700	3	12	60°	G4 Bi-Pin	170	2700	40,000	Yes
	LA-LED-MR8-3W-3000	3	12	60°	G4 Bi-Pin	180	3000	40,000	Yes
<b>LED MR11</b> 	LA-LED-MR11-3W-2700	3	12	40°	G4 Bi-Pin	180	2700	40,000	Yes
	LA-LED-MR11-3W-3000	3	12	40°	G4 Bi-Pin	190	3000	40,000	Yes
<b>LED MR16</b> 	LA-LED-MR16-2W-2700-45	2	12	45°	GU5.3 Bi-Pin	240	2700	40,000	Yes
	LA-LED-MR16-2W-3000-45	2	12	45°	GU5.3 Bi-Pin	260	3000	40,000	Yes
	LA-LED-MR16-4W-2700-15	4	12	15°	GU5.3 Bi-Pin	390	2700	40,000	Yes
	LA-LED-MR16-4W-2700-30	4	12	30°	GU5.3 Bi-Pin	390	2700	40,000	Yes
	LA-LED-MR16-4W-2700-45	4	12	45°	GU5.3 Bi-Pin	390	2700	40,000	Yes
	LA-LED-MR16-4W-2700-60	4	12	60°	GU5.3 Bi-Pin	390	2700	40,000	Yes
	LA-LED-MR16-4W-2700-100	4	12	120°	GU5.3 Bi-Pin	390	2700	40,000	Yes
	LA-LED-MR16-4W-3000-15	4	12	15°	GU5.3 Bi-Pin	420	3000	40,000	Yes
	LA-LED-MR16-4W-3000-30	4	12	30°	GU5.3 Bi-Pin	420	3000	40,000	Yes
	LA-LED-MR16-4W-3000-45	4	12	45°	GU5.3 Bi-Pin	420	3000	40,000	Yes
	LA-LED-MR16-4W-3000-60	4	12	60°	GU5.3 Bi-Pin	420	3000	40,000	Yes
	LA-LED-MR16-4W-3000-100	4	12	120°	GU5.3 Bi-Pin	420	3000	40,000	Yes
	LA-LED-MR16-4W-5000-45	4	12	45°	GU5.3 Bi-Pin	470	5000	40,000	Yes
	LA-LED-MR16-4W-5000-60	4	12	60°	GU5.3 Bi-Pin	470	5000	40,000	Yes
	LA-LED-MR16-6W-2700-15	6	12	15°	GU5.3 Bi-Pin	650	2700	40,000	Yes
	LA-LED-MR16-6W-2700-30	6	12	30°	GU5.3 Bi-Pin	650	2700	40,000	Yes
	LA-LED-MR16-6W-2700-45	6	12	45°	GU5.3 Bi-Pin	650	2700	40,000	Yes
	LA-LED-MR16-6W-2700-60	6	12	60°	GU5.3 Bi-Pin	650	2700	40,000	Yes
	LA-LED-MR16-6W-2700-120	6	12	120°	GU5.3 Bi-Pin	650	2700	40,000	Yes
	LA-LED-MR16-6W-3000-15	6	12	15°	GU5.3 Bi-Pin	680	3000	40,000	Yes
	LA-LED-MR16-6W-3000-30	6	12	30°	GU5.3 Bi-Pin	680	3000	40,000	Yes
	LA-LED-MR16-6W-3000-45	6	12	45°	GU5.3 Bi-Pin	680	3000	40,000	Yes
	LA-LED-MR16-6W-3000-60	6	12	60°	GU5.3 Bi-Pin	680	3000	40,000	Yes
	LA-LED-MR16-6W-3000-120	6	12	120°	GU5.3 Bi-Pin	680	3000	40,000	Yes
	LA-LED-MR16-6W-5000-45	6	12	45°	GU5.3 Bi-Pin	720	5000	40,000	Yes
	LA-LED-MR16-6W-5000-60	6	12	60°	GU5.3 Bi-Pin	720	5000	40,000	Yes
	LA-LED-MR16-9W-2700-30	9	12	30°	GU5.3 Bi-Pin	720	2700	40,000	Yes
	LA-LED-MR16-9W-2700-45	9	12	45°	GU5.3 Bi-Pin	720	2700	40,000	Yes
	LA-LED-MR16-9W-2700-60	9	12	60°	GU5.3 Bi-Pin	720	2700	40,000	Yes
	LA-LED-MR16-9W-3000-30	9	12	30°	GU5.3 Bi-Pin	740	3000	40,000	Yes
	LA-LED-MR16-9W-3000-45	9	12	45°	GU5.3 Bi-Pin	740	3000	40,000	Yes
	LA-LED-MR16-9W-3000-60	9	12	60°	GU5.3 Bi-Pin	740	3000	40,000	Yes
<b>Bluetooth</b>	LA-LED-MR16-6W-RGBW-45	6	12	45°	GU5.3 Bi-Pin	Varies	RGBW	40,000	Yes
	LA-LED-MR16-10W-RGBW-45	10	12	45°	GU5.3 Bi-Pin	Varies	RGBW	40,000	Yes



**MR-8-3W**



**MR-11-3W**



**MR-16-4W**



**MR-16-6W**



**MR-16-9W**




**PAR-36**



**MR-16-10W-RGBW-BT**



**MR-16-6W-RGBW-BT**

Lamp Type	Part Number	Watts	Volts	Beam Spread	Base	Lumens/CBCP	Color Temp	Rated Life (Hours)	Dimmable
 <b>LED PAR 36</b>	LA-LED-PAR36-6W-2700-40	6	12	40°	Screw Terminal	640	2700	40,000	Yes
	LA-LED-PAR36-6W-3000-40	6	12	40°	Screw Terminal	660	3000	40,000	Yes
	LA-LED-PAR36-6W-2700-60	6	12	60°	Screw Terminal	640	2700	40,000	Yes
	LA-LED-PAR36-6W-3000-60	6	12	60°	Screw Terminal	660	3000	40,000	Yes
	LA-LED-PAR36-6W-2700-120	6	12	120°	Screw Terminal	500	2700	40,000	Yes
	LA-LED-PAR36-6W-3000-120	6	12	120°	Screw Terminal	520	3000	40,000	Yes
	LA-LED-PAR36-10W-2700-40	10	12	40°	Screw Terminal	930	2700	40,000	Yes
	LA-LED-PAR36-10W-3000-40	10	12	40°	Screw Terminal	950	3000	40,000	Yes
	LA-LED-PAR36-10W-2700-60	10	12	60°	Screw Terminal	930	2700	40,000	Yes
	LA-LED-PAR36-10W-3000-60	10	12	60°	Screw Terminal	950	3000	40,000	Yes
	LA-LED-PAR36-10W-2700-120	10	12	120°	Screw Terminal	710	2700	40,000	Yes
	LA-LED-PAR36-10W-3000-120	10	12	120°	Screw Terminal	730	3000	40,000	Yes
	LA-LED-PAR36-13W-2700-40	13	12	40°	Screw Terminal	1050	2700	40,000	Yes
	LA-LED-PAR36-13W-3000-40	13	12	40°	Screw Terminal	1150	3000	40,000	Yes
	LA-LED-PAR36-13W-2700-60	13	12	60°	Screw Terminal	1050	2700	40,000	Yes
	LA-LED-PAR36-13W-3000-60	13	12	60°	Screw Terminal	1150	3000	40,000	Yes
	LA-LED-PAR36-13W-2700-120	13	12	120°	Screw Terminal	850	2700	40,000	Yes
	LA-LED-PAR36-13W-3000-120	13	12	120°	Screw Terminal	870	3000	40,000	Yes
	LA-LED-PAR36-17W-2700-40	17	12	40°	Screw Terminal	1350	2700	40,000	Yes
	LA-LED-PAR36-17W-3000-40	17	12	40°	Screw Terminal	1450	3000	40,000	Yes
LA-LED-PAR36-17W-2700-60	17	12	60°	Screw Terminal	1350	2700	40,000	Yes	
LA-LED-PAR36-17W-3000-60	17	12	60°	Screw Terminal	1450	3000	40,000	Yes	
LA-LED-PAR36-17W-2700-120	17	12	120°	Screw Terminal	980	2700	40,000	Yes	
LA-LED-PAR36-17W-3000-120	17	12	120°	Screw Terminal	1100	3000	40,000	Yes	
<b>Bluetooth</b>	LA-LED-PAR36-12W-RGBW-40	12	12	40°	Screw Terminal	Varies	RGBW	40,000	Yes

# LAMP GUIDE



**T3-1W**



**T3-3W**



**T3-4W**



**G4 COB**



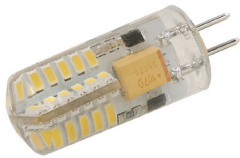
**G4-3W**



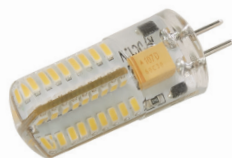
**G4-4W**



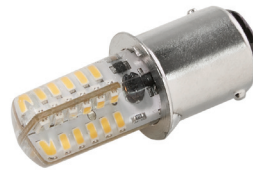
**G4-5W**



**T4-2W**




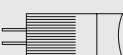
**T4-3W**



**BA-15-D**



**BA-15-S**

Lamp Type	Part Number	Watts	Volts	Beam Spread	Base	Lumens/ CBCP	Color Temp	Rated Life (Hours)	Dimmable
<b>LED T3</b> 	LA-LED-T3-25-1W-3000	1	12	–	G4 Bi-Pin	90	3000	40,000	Yes
	LA-LED-T3-13-2W-2700	2	12	–	G4 Bi-Pin	170	2700	40,000	Yes
	LA-LED-T3-13-2W-3000	2	12	–	G4 Bi-Pin	180	3000	40,000	Yes
	LA-LED-T3-18-3W-2700	3	12	–	G4 Bi-Pin	220	2700	40,000	Yes
	LA-LED-T3-18-3W-3000	3	12	–	G4 Bi-Pin	240	3000	40,000	Yes
	LA-LED-T3-27-4W-2700	4	12	–	G4 Bi-Pin	340	2700	40,000	Yes
	LA-LED-T3-27-4W-3000	4	12	–	G4 Bi-Pin	360	3000	40,000	Yes
<b>LED T4</b>	LA-LED-T4-48-2W-3000	2	12	–	G4 Bi-Pin	190	3000	40,000	Yes
	LA-LED-T4-72-3W-3000	3	12	–	G4 Bi-Pin	250	3000	40,000	Yes
<b>LED COB</b>	LA-LED-COB-3W-2700	3	12	–	G4 Bi-Pin	240	2700	40,000	Yes
	LA-LED-COB-3W-3000	3	12	–	G4 Bi-Pin	260	3000	40,000	Yes
<b>LED G4</b>	LA-LED-G4-3W-2700	3	12	–	G4 Bi-Pin	220	2700	40,000	Yes
	LA-LED-G4-3W-3000	3	12	–	G4 Bi-Pin	240	3000	40,000	Yes
	LA-LED-G4-4W-2700	4	12	–	G4 Bi-Pin	300	2700	40,000	Yes
	LA-LED-G4-4W-3000	4	12	–	G4 Bi-Pin	320	3000	40,000	Yes
	LA-LED-G4-5W-2700	4	12	–	G4 Bi-Pin	400	2700	40,000	Yes
	LA-LED-G4-5W-3000	3	12	–	G4 Bi-Pin	420	3000	40,000	Yes
<b>Bluetooth</b> 	LA-LED-T3-RGBW-BT-2W	2	12	–	G4 Bi-Pin	Varies	RGBW	40,000	Yes



**A19 CLEAR**



**CANDELABRA**



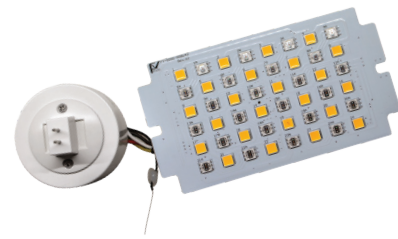
**LED-BL-30**




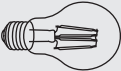
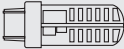
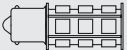
**LED-BL-31**



**LED-BL-31-20W**



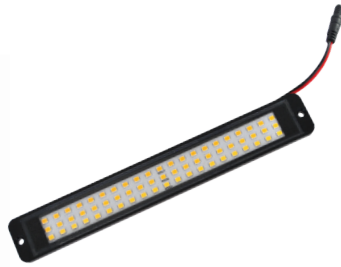
**BL-31-RGBW PANEL-BT**

Lamp Type	Part Number	Watts	Volts	Beam Spread	Base	Lumens/CBCP	Color Temp	Rated Life (Hours)	Dimmable
	LA-LED-CA-2W-2700-12V	2	12	–	Candelabra	210	2700	40,000	Yes
	LA-LED-CA-4W-2700-12V	4	12	–	Candelabra	280	2700	40,000	Yes
	LA-LED-A19-2W-2700-12V	2	12	–	Medium Base	260	2700	40,000	Yes
	LA-LED-A19-4W-2700-12V	4	12	–	Medium Base	300	2700	40,000	Yes
	LA-LED-A19-6W-2700-12V	6	12	–	Medium Base	380	2700	40,000	Yes
<b>LED BL-30</b>	LA-LED-BL-30-3W-3000	3	12	120°	G4 Bi-Pin	260	3000	40,000	Yes
	LA-LED-BL-30-3W-3000	3	12	120°	G4 Bi-Pin	260	3000	40,000	Yes
	LA-LED-BL-30-4W-MKD	4	12	120°	Quick Connect	330	Multi	40,000	Yes
<b>LED BL-31</b>	LA-LED-BL-31-6W-2700	6	12	120°	G4 Bi-Pin	450	2700	40,000	Yes
	LA-LED-BL-31-6W-3000	6	12	120°	G4 Bi-Pin	470	3000	40,000	Yes
	LA-LED-BL-31-8W-MKD	8	12	120°	Quick Connect	720	Multi	40,000	Yes
	LA-LED-BL-31-20W-3000	20	12	120°	G4 Bi-Pin	2200	3000	40,000	No
	LA-LED-BL-31-RGBW-BT	10	12	120°	G4 Bi-Pin	Varies	RGBW	40,000	Yes
<b>LED T5</b> 	LA-LED-T5-WG-3W-2700	3	12		Wedge Base	220	2700	40,000	Yes
	LA-LED-T5-WG-3W-3000	3	12		Wedge Base	240	3000	40,000	Yes
<b>LED BA-15</b> 	LA-LED-BA-15S-3W-3000	3	12	–	Single Bayonet	240	3000	40,000	Yes
	LA-LED-BA-15D-3W-3000	3	12	–	Double Bayonet	240	3000	40,000	Yes

# LAMP GUIDE



**LED-SD-500**



**LED-SD-500-MKD**



**LED-SD-501**



**LED-SD-501-MKD**



**LED-SD-505**



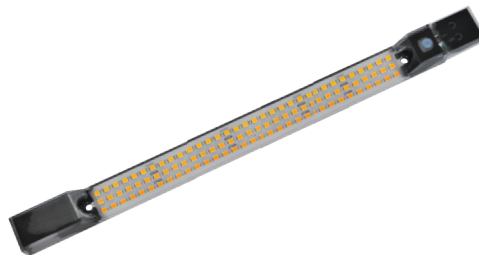
**LED-SD-506**



**LED-SD-506/507-MKD**



**LED-SD-510 -MKD**



**LED-SD-513-MKD**



**LED  
PATHLIGHT  
MODULE**



**BLUETOOTH  
EXTENDER**

Lamp Type	Part Number	Watts	Volts	Beam Spread	Base	Lumens/ CBCP	Color Temp	Rated Life (Hours)	Dimmable
<b>LED SD-500</b>	LA-LED-SD-500-3W-2700	3	12	–	Crimp	210	2700	40,000	Yes
	LA-LED-SD-500-3W-3000	3	12	–	Crimp	220	3000	40,000	Yes
	LA-LED-SD-500-MKD	3	12	–	Quick Connect	250	Multi	40,000	Yes
<b>LED SD-501</b>	LA-LED-SD-501-2W-2700	2	12	–	Crimp	150	2700	40,000	Yes
	LA-LED-SD-501-2W-3000	2	12	–	Crimp	160	3000	40,000	Yes
	LA-LED-SD-501-MKD	2	12	–	Quick Connect	180	Multi	40,000	Yes
<b>LED SD-505</b>	LA-LED-SD-505-3W-3000	3	12	–	Crimp	320	3000	40,000	Yes
<b>LED SD-506</b>	LA-LED-SD-506-1W-2700	1	12	–	Crimp	160	2700	40,000	Yes
	LA-LED-SD-506-1W-3000	1	12	–	Crimp	180	3000	40,000	Yes
	LA-LED-SD-506-2W-2700	2	12	–	Crimp	220	2700	40,000	Yes
	LA-LED-SD-506-2W-3000	2	12	–	Crimp	240	3000	40,000	Yes
	LA-LED-SD-506-MKD	3	12	–	Quick Connect	240	Multi	40,000	Yes
<b>LED SD-507</b>	LA-LED-SD-507-MKD	3	12	–	Quick Connect	240	Multi	40,000	Yes
<b>LED SD-510</b>	LA-LED-SD-510-MKD	4	12	–	Quick Connect	350	Multi	40,000	Yes
<b>LED SD-513</b>	LA-LED-SD-513-MKD	4	12	–	Quick Connect	450	Multi	40,000	Yes
<b>PATH LED</b>	LA-LED-PATHLIGHT-MODULE-BT	4	12	–	Crimp	220	3000	40,000	Yes
<b>REPEATER</b>	X-BLUETOOTH-EXTENDER	Bluetooth Signal Booster							No



**LED-SD-410**



**LED-SD-413**



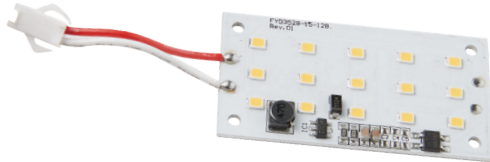
**LED-SD-400**



**LED-SD-403**



**MDB-06**



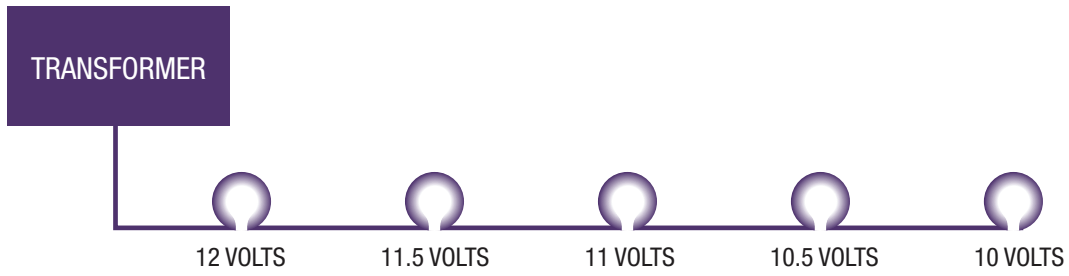
**LED-MDB-01/02**



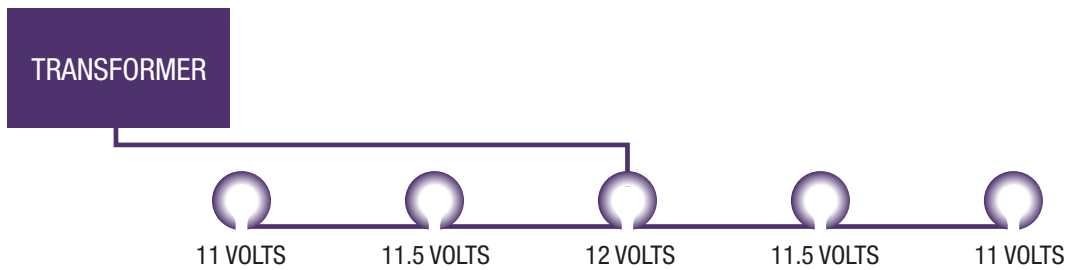
**LED-MDB-05**

Lamp Type	Part Number	Watts	Volts	Beam Spread	Base	Lumens/CBCP	Color Temp	Rated Life (Hours)	Dimmable
<b>LED SD-400</b>	LA-LED-SD-400-2W-3000	2	12	–	Crimp	280	3000	40,000	Yes
<b>LED SD-403</b>	LA-LED-SD-403-3W-3000	3	12	–	Crimp	320	3000	40,000	Yes
<b>LED SD-410</b>	LA-LED-SD-400-2W-3000	1	12	–	Crimp	180	3000	40,000	Yes
<b>LED SD-413</b>	LA-LED-SD-403-3W-3000	2	12	–	Crimp	240	3000	40,000	Yes
<b>LED BOL-03/04</b>	LA-LED-BOL-03/04-4W-3000	4	12	–	Quick Connect	320	3000	40,000	Yes
<b>LED MDB-01/02</b>	LA-LED-MDB-01/02-4W-2700	4	12	–	Quick Connect	340	2700	40,000	Yes
	LA-LED-MDB-01/02-4W-3000	4	12	–	Quick Connect	360	3000	40,000	Yes
	LA-LED-MDB-01/02-MKD	4	12	–	Quick Connect	360	Multi	40,000	Yes
<b>LED MDS-01/02</b>	LA-LED-MDS-01/02-3W-2700	3	12	–	Quick Connect	290	2700	40,000	Yes
	LA-LED-MDS-01/02-3W-3000	3	12	–	Quick Connect	310	3000	40,000	Yes
<b>LED MDB-05</b>	LA-LED-MDB-05-4W-3000	4	12	–	Quick Connect	320	3000	40,000	Yes
<b>LED MDB-06</b>	LA-LED-MDB-06-4W-3000	4	12	–	Quick Connect	340	3000	40,000	Yes
<b>LED MDB-08</b>	LA-LED-MDB-08-4W-MKD	4	12	–	Quick Connect	360	Multi	40,000	Yes
<b>LED MDB-09</b>	LA-LED-MDB-09-4W-MKD	4	12	–	Quick Connect	360	Multi	40,000	Yes
<b>LED MDB-10</b>	LA-LED-MDB-10-4W-MKD	4	12	–	Quick Connect	360	Multi	40,000	Yes

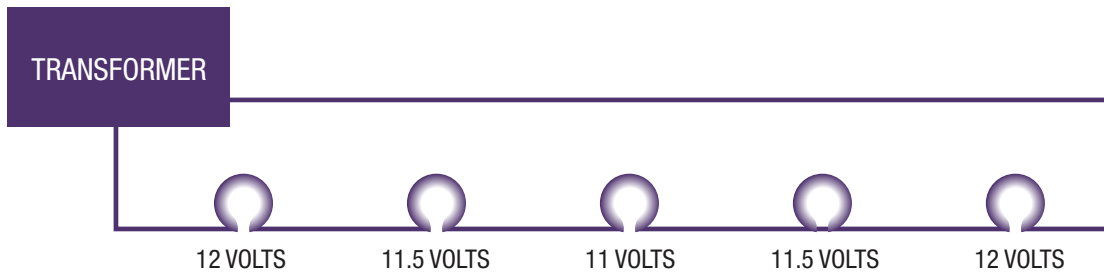
## The Daisy Chain



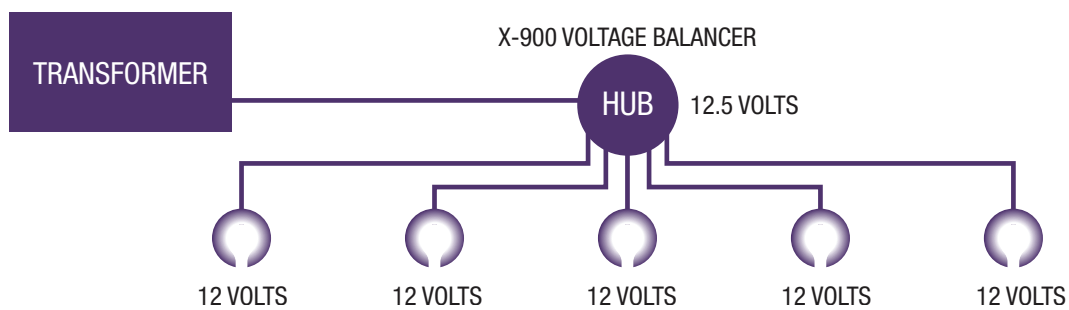
## The "T" Method



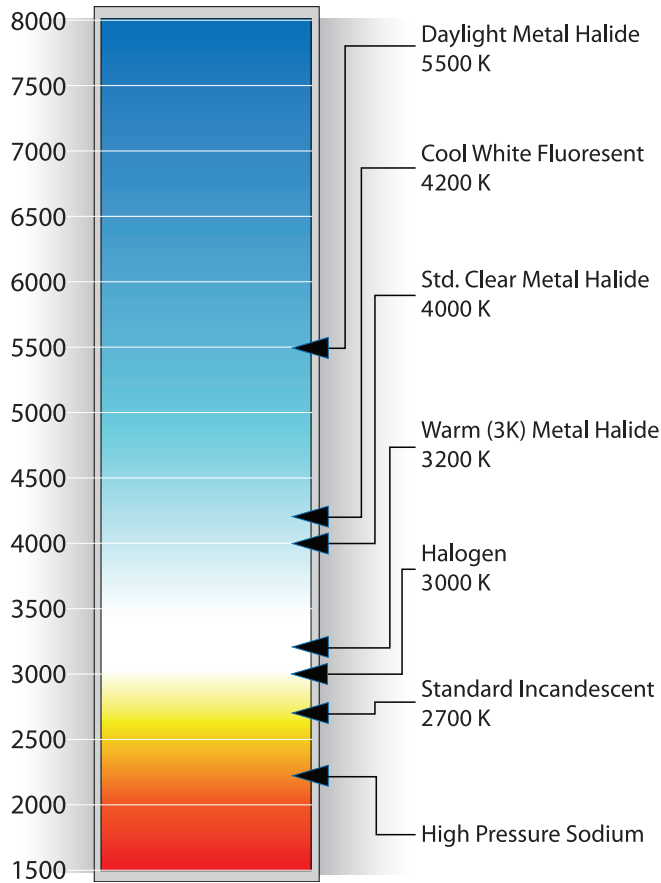
## The Loop Method



## The Hub Method



# KELVIN CHART / POWDER COAT FINISHES



## Optional Finishes



- Custom color matching is available
- Additional RAL colors are available using the standard RAL color system
- Actual finishes may differ slightly than as shown above
- Choosing any color other than the standard finish will result in an up-charge per fixture



Encore Landscape Lighting warrants to the owner, each new lighting product against defects in material and workmanship for a period described below. During the warranty period, Encore Landscape Lighting will repair or replace, at our discretion, any part found to be defective. Your remedy is limited solely to the replacement or repair of defective parts.

This warranty does not apply to products, including lamps, not manufactured by Encore Landscape Lighting when used in conjunction with Encore Landscape Lighting products; or where equipment is used, or installation is performed in any manner contrary to Encore Landscape Lighting's specifications or instructions, nor where equipment is altered or modified. Encore Landscape Lighting assumes no responsibility for the improper installation of its products.

Encore Landscape Lighting is not liable for indirect, incidental or consequential damages in connection with the use of equipment, including but not limited to: vegetation loss, the cost of substitute equipment or services required during malfunction, property damage or personal injury resulting from installers actions, whether negligent or otherwise.

All implied warranties, including those of merchantability and fitness of use, are limited to the duration of this express warranty. All transformers, ABS well lights, brass and copper fixtures are covered by this warranty for the life of the original installation. All aluminum Encore Landscape Lighting fixtures are covered by this warranty for a period of three years from the date of installation. The warranty does not extend to color fading by UV rays or exposure to harsh chemicals or harsh environments including salt water environments. This warranty is non-transferable. Underwater Fixtures, RGBW LED Lamps, Bluetooth components and all add on accessories have a warranty of one year. This warranty does not include the replacement of any lamps with the expectation of the LED lamps as listed below.

LED lamps have a warranty of three years from the date of purchase. The LED lamps must be installed at the correct voltage. Any LED lamp that is installed at an excessive or to low of voltage will void the warranty. The LED Lamps must be installed in conjunction with an Encore Landscape Lighting transformer or an approved transformer by Encore Landscape Lighting. The transformer must be a magnetic type. The use of Encore Landscape Lighting's LED lamps without a magnetic type of transformer or at voltages higher or lower than the preferred specs will void the warranty. The LED lamps are not covered by the warranty because of lightning strikes or any other voltage surges. When relamping or replacing LED lamps, the power must be turned off.

In order to have a valid warranty, a registration form must be completed and submitted back to Encore Landscape Lighting within 30 days of purchase. The warranty registration form can be found on our website at [www.encorelandscapelighting.com](http://www.encorelandscapelighting.com). The warranty form must be fully completed.

A product is covered during the warranty period if it is returned to Encore Landscape Lighting, freight prepaid. Our factory will inspect the product to determine if it is defective under the terms of the warranty. All products must have an RGA form (return goods authorization) completed by the customer and sent to Encore Landscape Lighting for approval. Once approved, a RGA number will be issued. No returns will be accepted without the RGA number. Encore Landscape Lighting does not compensate for any labor, diagnosis, repair, replacement, shipping fees or transportation.