

The Encore Landscape Lighting System™ combined with Encore's superior products will create beauty, safety, and security all in a simple-to-install system. The Encore Landscape Lighting System allows for easy installation of fixtures and transformers while delivering balanced voltage to each fixture, creating a consistent lighting portrait to every project.

The Encore Perfect Post Path System™ offers the flexibility of interchanging the shades on each path light without replacing the entire fixture allowing for cost effective seasonal design changes.

TABLE OF CONTENTS

Brass Products

Path and Area Lighting.....	2-11, 13-21
Up and Down Lighting	12, 22-25
Bollards.....	16-17, 19-21, 55
Tiki Torch	22-23
Deck and Step Lighting.....	28-33
Hardscape and Under The Cap Lighting	32-33
Inground and Soffit Lighting	34-36
Well Lights and Inground Lighting.....	34-38
Underwater Lighting.....	39-41
Hanging Lights.....	42-43
Wall Sconces	44-45
Accessories	46-49

Copper Products

Path and Area Lighting.....	50-51
Up Lighting	51

Aluminum Products

Path and Area Lighting.....	52-55
Up and Down Lighting	56-57

Support Equipment and Information

Transformers and Accessories	58-59
Lamp Guide.....	60-65
Wiring Diagrams.....	66
Kelvin Chart	67
Powder Coat Finishes	67
Warranty	68

Note: All products in this catalog are 12 volt unless noted.

Most fixtures are available in 2700K or 3000K.

Dimmable fixtures must be dimmed by using a 12-volt magnetic dimmer.

DARE TO COMPARE

- Our exceptional quality and innovative product line uses the finest materials available, including solid brass, copper, stainless steel, and a superior grade of cast aluminum.
- Our innovative fixtures are user friendly and can be adjusted without the use of tools.
- Our lifetime warranty and unsurpassed service is second to none.
- Our state of the art factory and shipping department allow for orders to be processed and shipped the same day.

Encore Landscape Lighting Products are the choice by professionals who require reliable products of superior quality that will last a lifetime.



www.EncoreLandscapeLighting.com

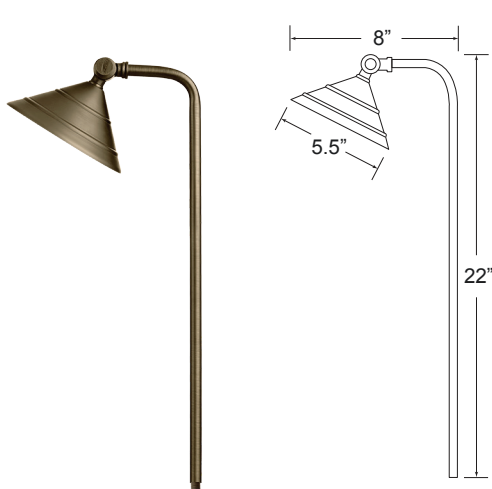
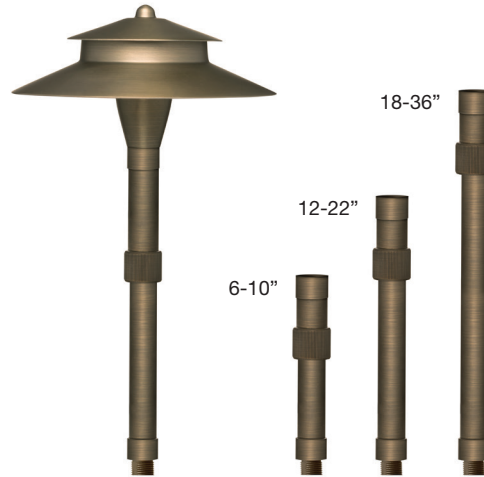
Encore Landscape Lighting

2277 Elliott Drive
Troy, MI 48083

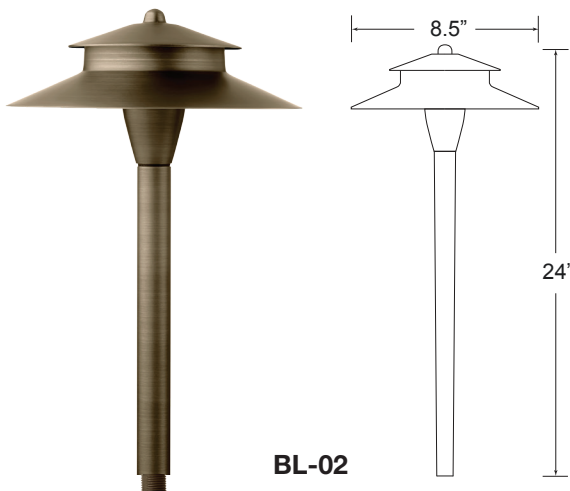
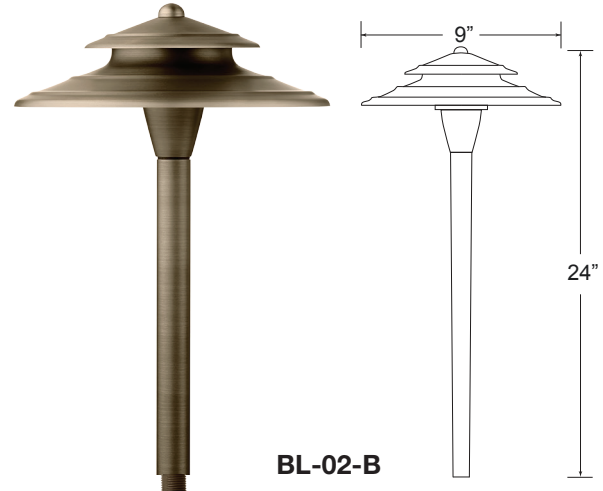
Phone: 248-299-1919 • Fax: 248-299-1911
EncoreLandscapeLighting@hotmail.com

© 2024 Encore Landscape Lighting

PATH & AREA LIGHTING

**BL-01-B****BL-02 W/ ADJ RISER**

(The adjustable risers are available with all pathway lights with the perfect post system)

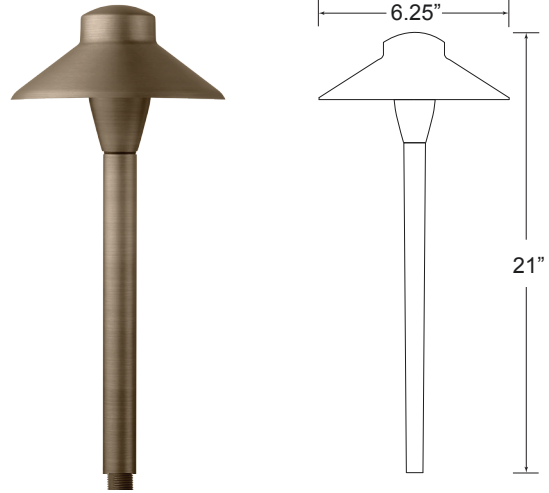
**BL-02****BL-02-B**

APPLICATION	Illuminating Pathways, Bed Areas and Driveways		
CONSTRUCTION	BL-01-B	Spun Brass Articulating Shade with Angled Tubular Brass Post	
	BL-02 / BL-02-B	Solid Cast Brass Shade with Heavy Brass Post	
FINISH	Antiqued Brass		
WIRE LEAD	25 Feet of 18-2 Wire		
STAKE	X-801 Heavy Duty Ground Stake		
LED LAMP	3 Watt LED G4 Bi-Pin		
LED LAMP OPTIONS	1 Watt, 2 Watt, 4 Watt LED G4 Bi-Pin Bluetooth RGBW LED		
LENS	Clear and Frosted Glass Dome		
HEIGHT	BL-01-B	22"	Light Spread: 6-12'
	BL-02 / BL-02-B	24"	Light Spread: 10-12'
OTHER OPTIONS	Adjustable Telescoping Post: 6-10", 12-22", 18-36" (For use with BL-02 & BL-02-B)		
DIMMABLE	BL-01-B / BL-02 / BL-02-B		

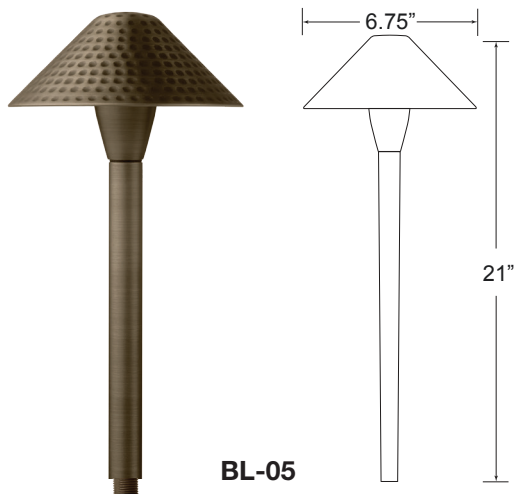


BL-05 W/ ADJ RISER

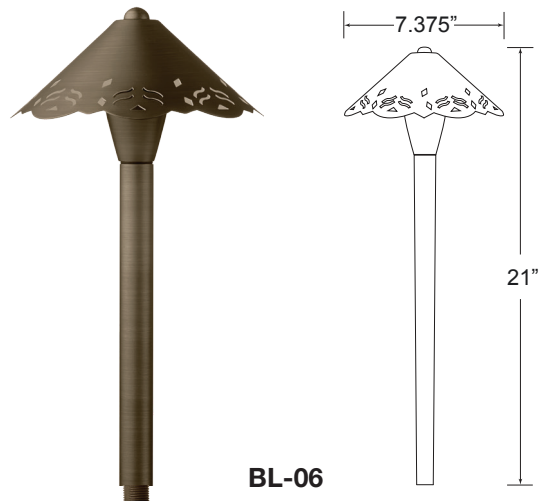
(The adjustable risers are available with all pathway lights with the perfect post system)



BL-04



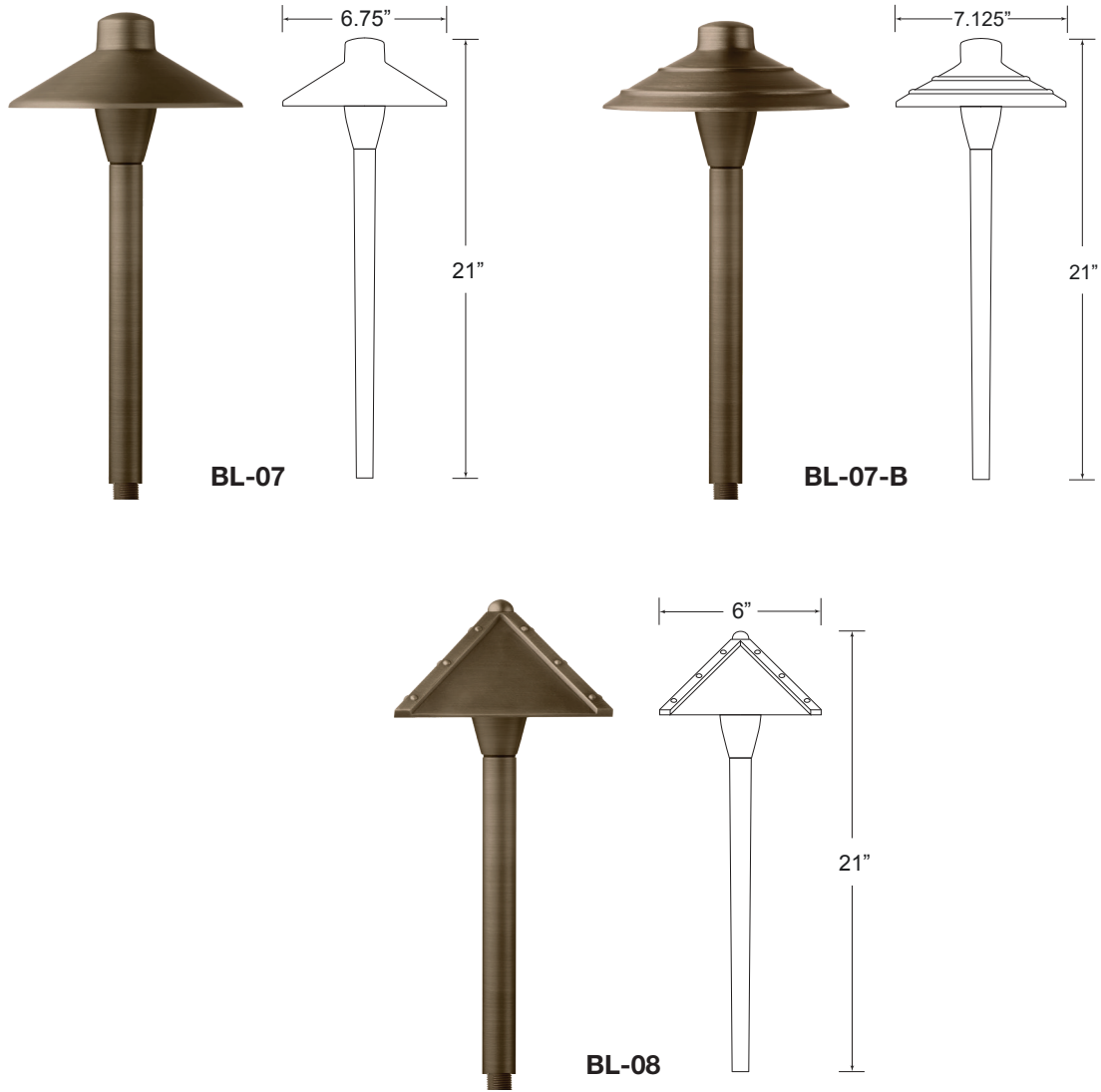
BL-05



BL-06

APPLICATION	Illuminating Pathways, Bed Areas and Driveways
CONSTRUCTION	Solid Cast Brass Shade with Heavy Brass Post
FINISH	Antiqued Brass
WIRE LEAD	25 Feet of 18-2 Wire
STAKE	X-801 Heavy Duty Ground Stake
LED LAMP	3 Watt LED G4 Bi-Pin
LED LAMP OPTIONS	1 Watt, 2 Watt, 4 Watt LED G4 Bi-Pin Bluetooth RGBW LED
LENS	Clear and Frosted Glass Dome
HEIGHT	21" Light Spread: 8-10'
OTHER OPTIONS	Adjustable Telescoping Post: 6-10", 12-22", 18-36"
DIMMABLE	BL-04 / BL-05 / BL-06

PATH & AREA LIGHTING



APPLICATION	Illuminating Pathways, Bed Areas and Driveways		
CONSTRUCTION	Solid Cast Brass Shade with Heavy Brass Post		
FINISH	Antiqued Brass		
WIRE LEAD	25 Feet of 18-2 Wire		
STAKE	X-801 Heavy Duty Ground Stake		
LED LAMP	3 Watt LED G4 Bi-Pin		
LED LAMP OPTIONS	1 Watt, 2 Watt, 4 Watt LED G4 Bi-Pin Bluetooth RGBW LED		
LENS	Clear and Frosted Glass Dome		
HEIGHT	BL-07 / BL-07-B	21"	Light Spread: 8-10'
	BL-08	21"	Light Spread: 7-9'
OTHER OPTIONS	Adjustable Telescoping Post: 6-10", 12-22", 18-36"		
DIMMABLE	BL-07 / BL-07-B / BL-08		



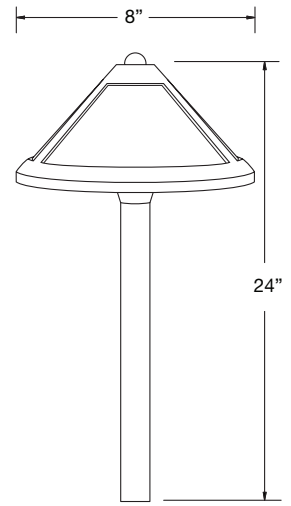
BL-09-A



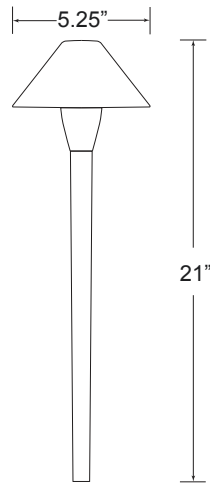
BL-09-F



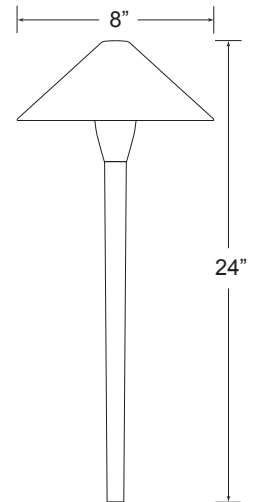
BL-09-H



BL-10



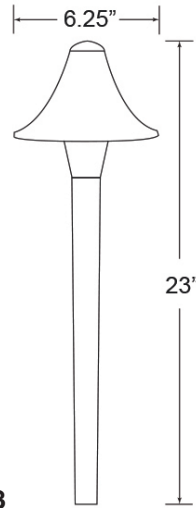
BL-11



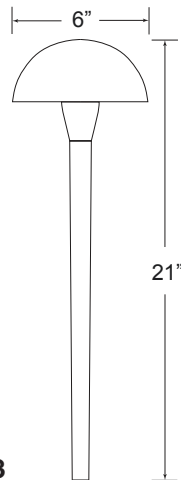
APPLICATION	Illuminating Pathways, Bed Areas and Driveways		
CONSTRUCTION	Solid Cast Brass Shade with Heavy Brass Post		
	BL-09	Glass Shade with Brass Frame	
FINISH	Antiqued Brass		
WIRE LEAD	25 Feet of 18-2 Wire		
STAKE	X-801 Heavy Duty Ground Stake		
LED LAMP	3 Watt LED G4 Bi-Pin		
LED LAMP OPTIONS	1 Watt, 2 Watt, 4 Watt LED G4 Bi-Pin Bluetooth RGBW LED (Not available for BL-09)		
LENS	Clear and Frosted Glass Dome		
HEIGHT	BL-09-A / BL-09-F / BL-09-H	24"	Light Spread: 9-11'
	BL-10	21"	Light Spread: 6-8'
	BL-11	21"	Light Spread: 8-10'
OTHER OPTIONS	Adjustable Telescoping Post: 6-10", 12-22", 18-36"		
DIMMABLE	BL-09 / BL-10 / BL-11		

PATH & AREA LIGHTING

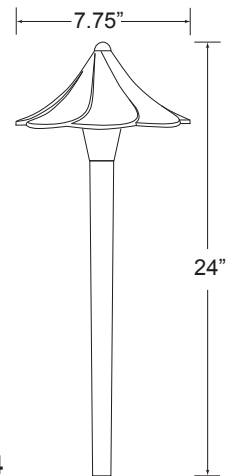
BRASS



BL-63

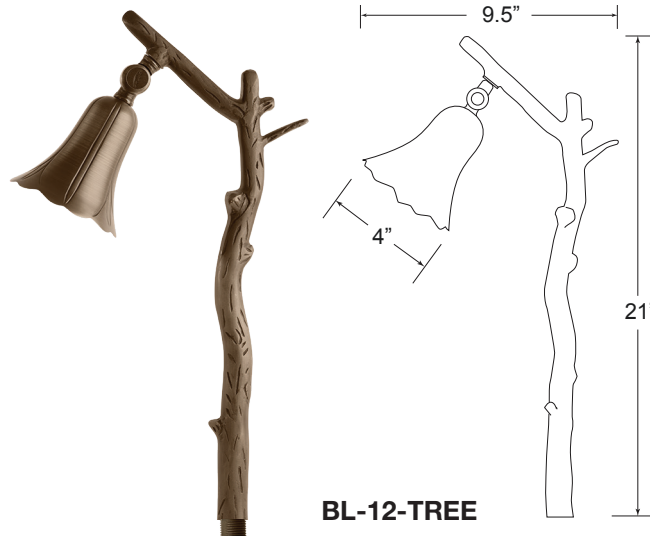


BL-13

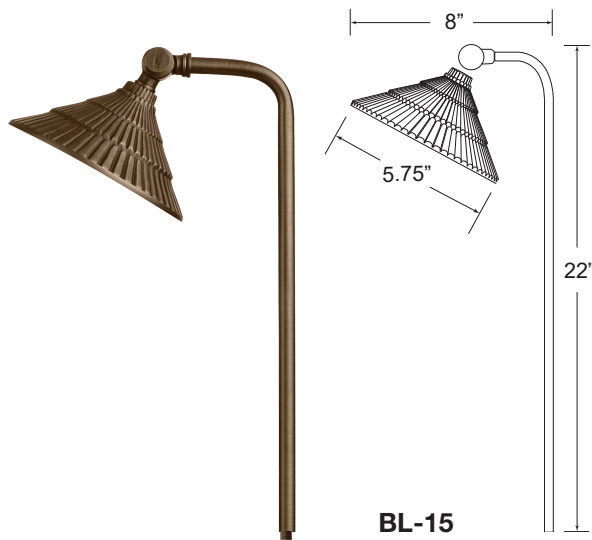


BL-14

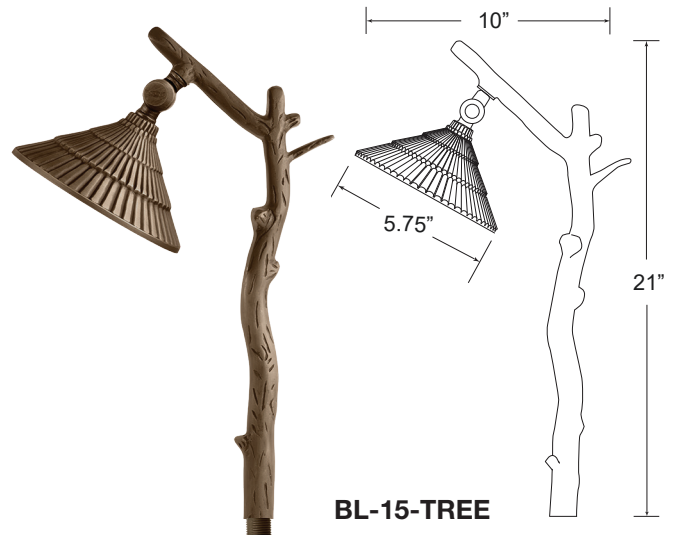
APPLICATION	Illuminating Pathways, Bed Areas and Driveways		
CONSTRUCTION	Solid Cast Brass Shade with Heavy Brass Post		
FINISH	Antiqued Brass		
WIRE LEAD	25 Feet of 18-2 Wire		
STAKE	X-801 Heavy Duty Ground Stake		
LED LAMP	3 Watt LED G4 Bi-Pin		
LED LAMP OPTIONS	1 Watt, 2 Watt, 4 Watt LED G4 Bi-Pin Bluetooth RGBW LED		
LENS	Clear and Frosted Glass Dome		
HEIGHT	BL-13	21"	Light Spread: 7-9'
	BL-14	24"	Light Spread: 8-10'
	BL-63	23"	Light Spread: 6-8'
OTHER OPTIONS	Adjustable Telescoping Post: 6-10", 12-22", 18-36"		
DIMMABLE	BL-13 / BL-14 / BL-63		



BL-12-TREE



BL-15

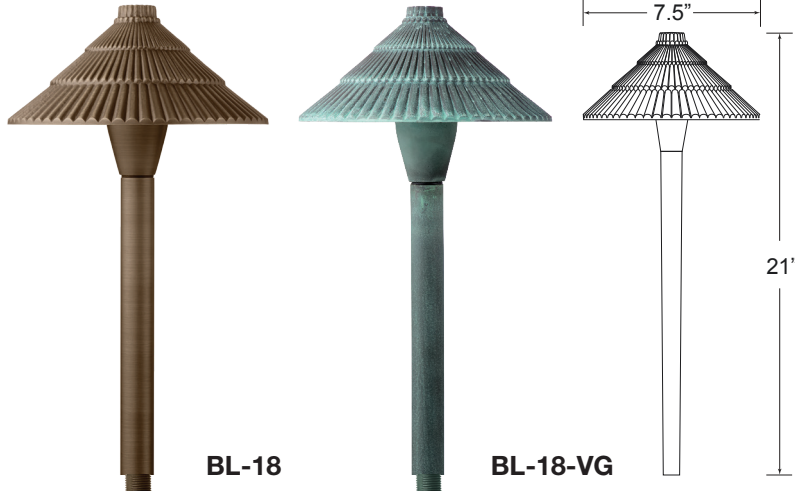


BL-15-TREE

APPLICATION	Illuminating Pathways, Bed Areas and Driveways		
CONSTRUCTION	Solid Cast Brass Shade with Heavy Brass Post		
FINISH	Antiqued Brass		
WIRE LEAD	25 Feet of 18-2 Wire		
STAKE	X-801 Heavy Duty Ground Stake		
LED LAMP	3 Watt LED G4 Bi-Pin		
LED LAMP OPTIONS	1 Watt, 2 Watt, 4 Watt LED G4 Bi-Pin Bluetooth RGBW LED		
LENS	Clear and Frosted Glass Dome		
HEIGHT	BL-12-TREE	21"	Light Spread: 4-10'
	BL-15	22"	Light Spread: 7-9'
	BL-15-TREE	21"	Light Spread: 4-10'
OTHER OPTIONS	Adjustable Telescoping Post: 6-10", 12-22", 18-36"		
DIMMABLE	BL-12-TREE / BL-15 / BL-15-TREE		

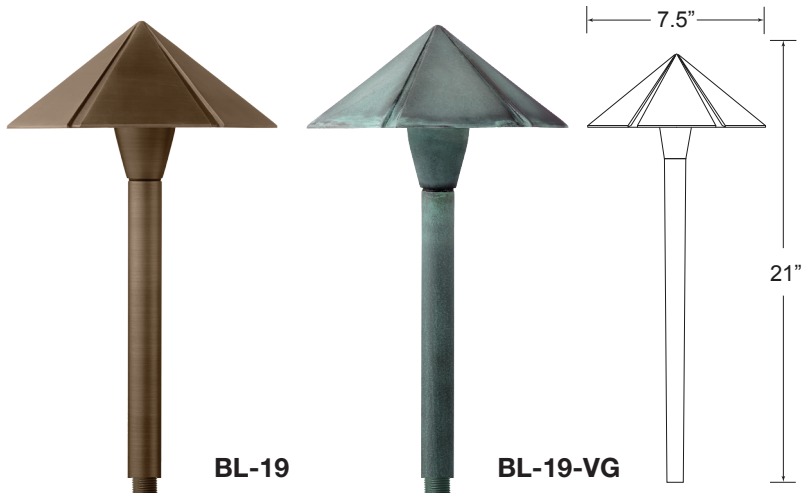
PATH & AREA LIGHTING

BRASS



BL-18

BL-18-VG

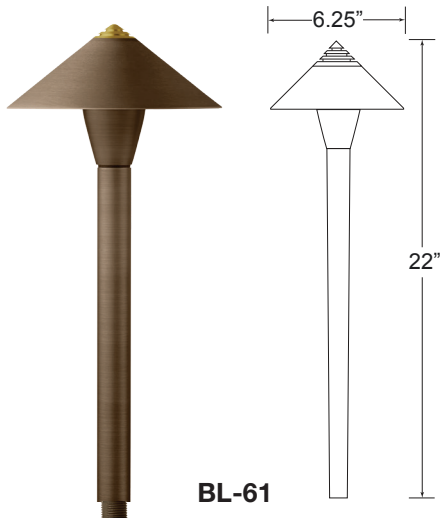


BL-19

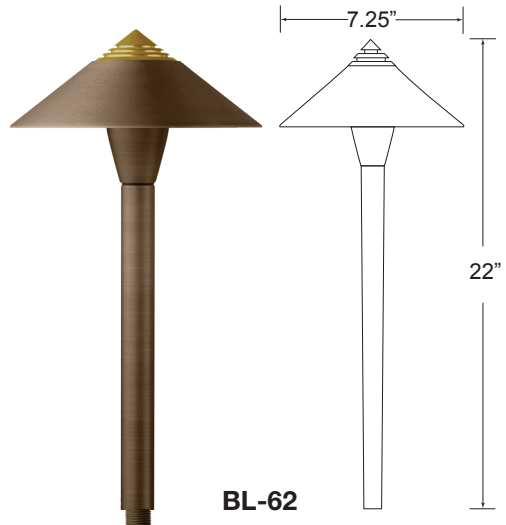
BL-19-VG



APPLICATION	Illuminating Pathways, Bed Areas and Driveways
CONSTRUCTION	Solid Cast Brass Shade with Heavy Brass Post
FINISH	Antiqued Brass / Aged Verde
WIRE LEAD	25 Feet of 18-2 Wire
STAKE	X-801 Heavy Duty Ground Stake
LED LAMP	3 Watt LED G4 Bi-Pin
LED LAMP OPTIONS	1 Watt, 2 Watt, 4 Watt LED G4 Bi-Pin Bluetooth RGBW LED
LENS	Clear and Frosted Glass Dome
HEIGHT	21" Light Spread: 8-10'
OTHER OPTIONS	Adjustable Telescoping Post: 6-10", 12-22", 18-36"
DIMMABLE	BL-18 / BL-19



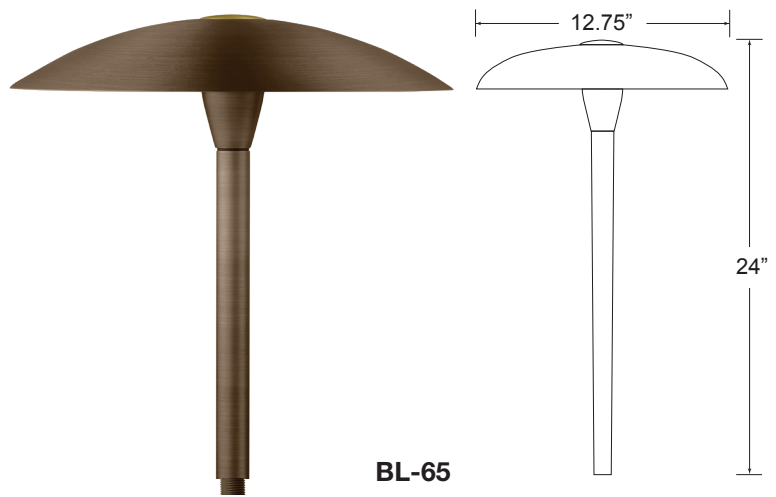
BL-61



BL-62



BL-64



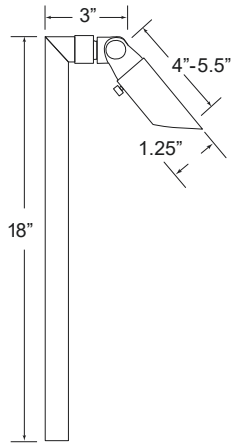
BL-65

APPLICATION	Illuminating Pathways, Bed Areas and Driveways	
CONSTRUCTION	Solid Cast Brass Shade with Heavy Brass Post	
FINISH	Antiqued Brass	
WIRE LEAD	25 Feet of 18-2 Wire	
STAKE	X-801 Heavy Duty Ground Stake	
LED LAMP	3 Watt LED G4 Bi-Pin	
LED LAMP OPTIONS	1 Watt, 2 Watt, 4 Watt LED G4 Bi-Pin Bluetooth RGBW LED	
LENS	Clear and Frosted Glass Dome	
HEIGHT	BL-61 22"	Light Spread: 7-9'
	BL-62 22"	Light Spread: 8-10'
	BL-64 21"	Light Spread: 8-10'
	BL-65 24"	Light Spread: 12-15'
OTHER OPTIONS	Adjustable Telescoping Post: 6-10", 12-22", 18-36"	
DIMMABLE	BL-61 / BL-62 / BL-64 / BL-65	

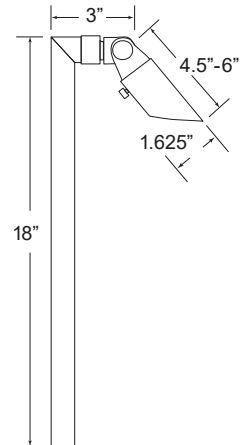
PATH & AREA LIGHTING



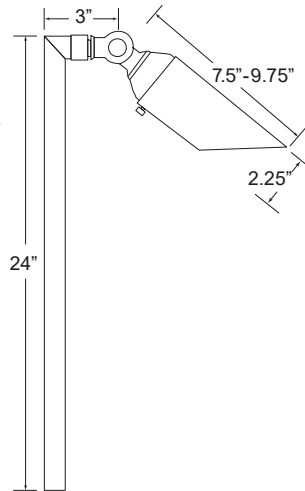
BL-72-MR8



BL-72-MR11



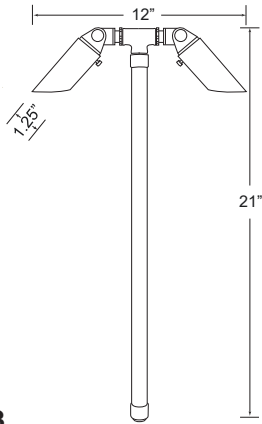
BL-72-MR16



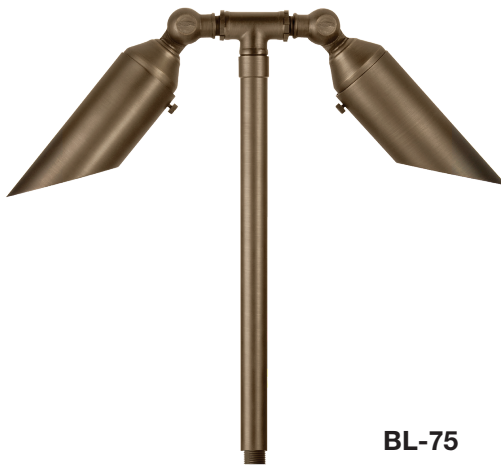
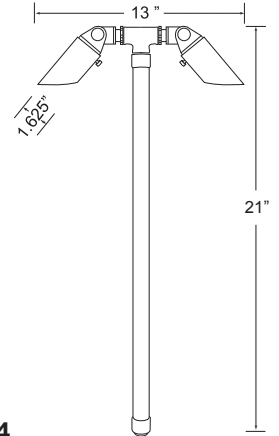
APPLICATION	Illuminating Pathways, Bed Areas and Driveways.	
CONSTRUCTION	Solid Cast Brass Bullet Light with Brass Elbowed Post	
FINISH	Antiqued Brass	
WIRE LEAD	25 Feet of 18-2 Wire	
STAKE	X-801 Heavy Duty Ground Stake	
LED LAMP	BL-72-MR8	3 Watt MR8 LED Bi-Pin
	BL-72-MR11	3 Watt MR11 LED Bi-Pin
	BL-72-MR16	4, 6, 9 Watt MR16 LED Bi-Pin
LED LAMP OPTIONS	Bluetooth RGBW LED (BL-72-MR16)	
LENS	Clear Flat Glass	
OPTIONAL LENS	Frosted Flat Glass	
HEIGHT	BL-72-MR8	18"
	BL-72-MR11	18"
	BL-72-MR16	24"
DIMMABLE	BL-72-MR8 / BL-72-MR11 / BL-72-MR16	



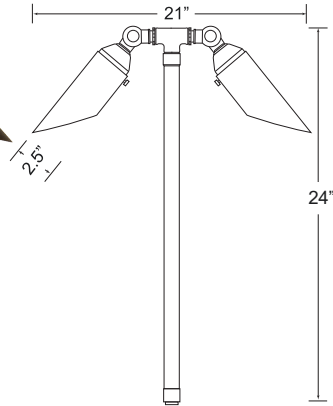
BL-73



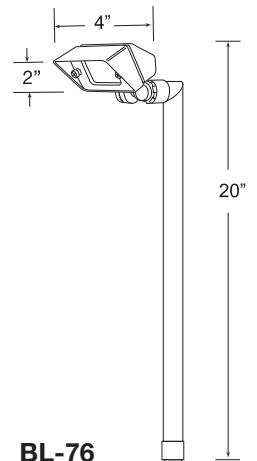
BL-74



BL-75

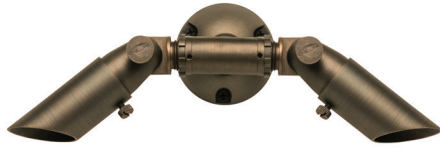


BL-76

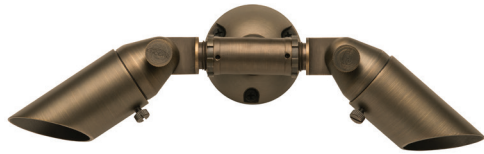
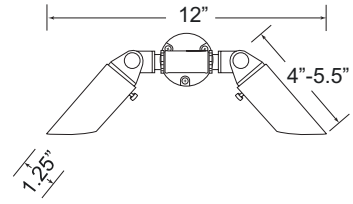


APPLICATION	Illuminating Pathways, Bed Areas and Driveways	
CONSTRUCTION	Solid Cast Brass Bullet Light with Brass Tee/Elbowed Post	
FINISH	Antiqued Brass	
WIRE LEAD	25 Feet of 18-2 Wire	
STAKE	X-801 Heavy Duty Ground Stake	
LED LAMP	BL-73	(2) 3 Watt MR8 LED Bi-Pin
	BL-74	(2) 3 Watt MR11 LED Bi-Pin
	BL-75	(2) 4, 6, 9 Watt MR16 LED Bi-Pin
	BL-76	3 Watt LED Panel
LED LAMP OPTIONS	Bluetooth RGBW LED (BL-75)	
LENS	Clear Flat Glass	
OPTIONAL LENS	Frosted Flat Glass	
HEIGHT	BL-73 / BL-74	21"
	BL-75	24"
	BL-76	20"
DIMMABLE	BL-73 / BL-74 / BL-75 / BL-76	

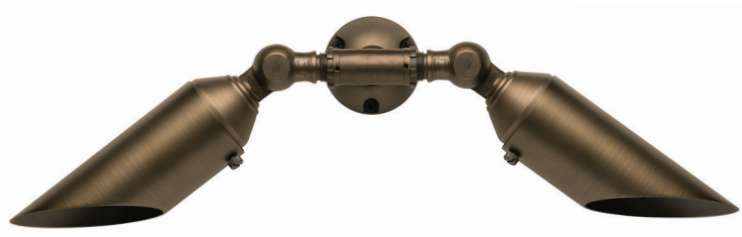
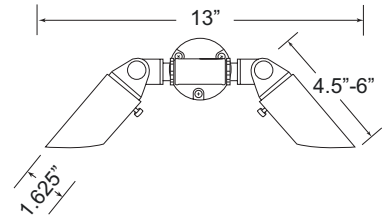
DOWN LIGHTING



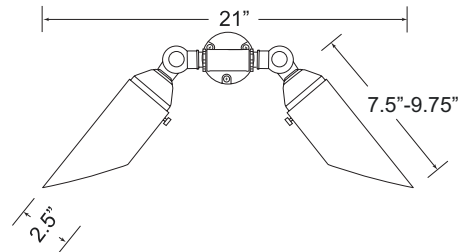
BL-77-MR8



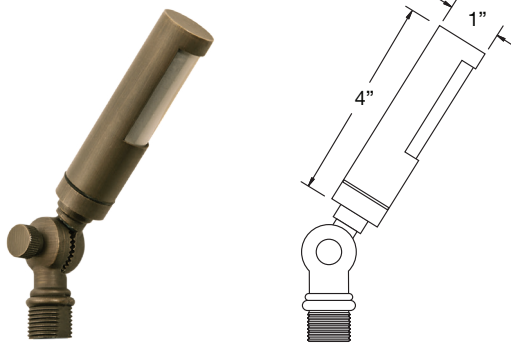
BL-77-MR11



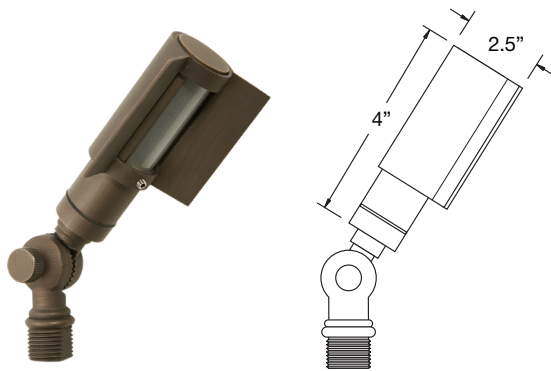
BL-77-MR16



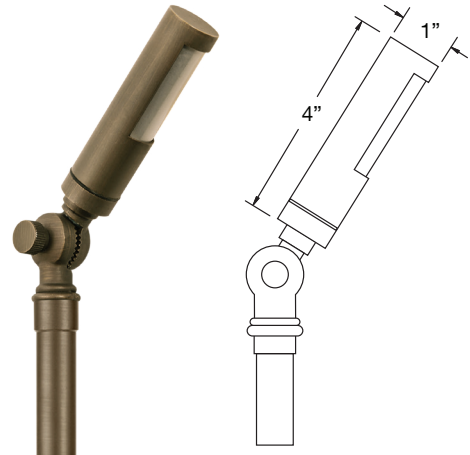
APPLICATION	Down Lighting from Walls or in Trees
CONSTRUCTION	Solid Cast Brass Bullet Light with Brass Tee and Brass Round Mount
FINISH	Antiqued Brass
WIRE LEAD	25 Feet of 18-2 Wire
LED LAMP	<p>BL-77-MR8 3 Watt MR8 LED Bi-Pin</p> <p>BL-77-MR11 3 Watt MR11 LED Bi-Pin</p> <p>BL-77-MR16 4, 6, 9 Watt MR16 LED Bi-Pin</p>
LED LAMP OPTIONS	Bluetooth RGBW LED (BL-77-MR16)
LENS	Clear Flat Glass
OPTIONAL LENS	Frosted Flat Glass
DIMMABLE	BL-77-MR8 / BL-77-MR11 / BL-77-MR16



BL-78



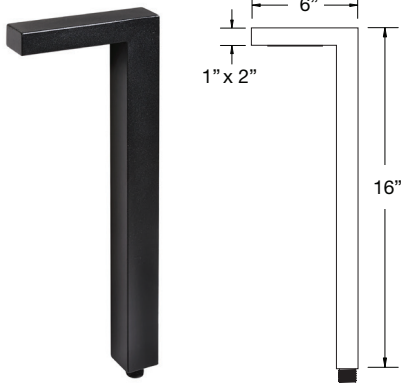
BL-78 with Shroud



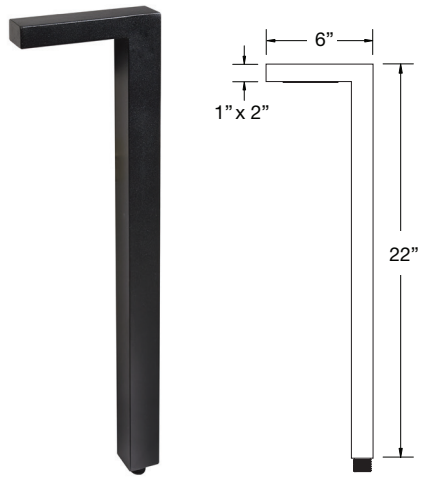
BL-78 with Riser

APPLICATION	Illuminating Pathways and Bed Areas
CONSTRUCTION	Solid Cast Brass
FINISH	Antiqued Brass
WIRE LEAD	25 Feet of 18-2 Wire
STAKE	X-800 Heavy Duty Ground Stake
LED LAMP	3 Watt LED G4 Bi-Pin
LED LAMP OPTIONS	1 Watt, 2 Watt LED G4 Bi-Pin, Bluetooth RGBW LED
LENS	Frosted Glass
DIMMABLE	BL-78

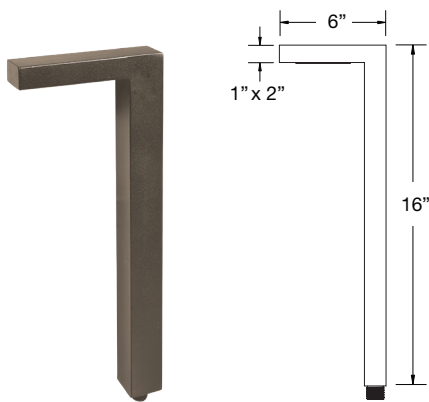
PATH & AREA LIGHTING



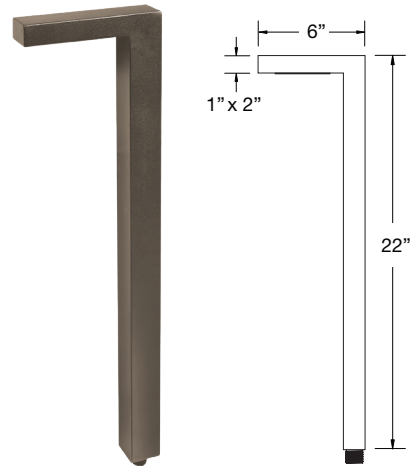
MDB-01-BK



MDB-02-BK

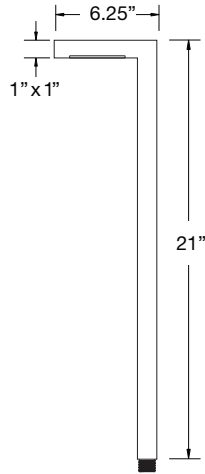


MDB-01-AB

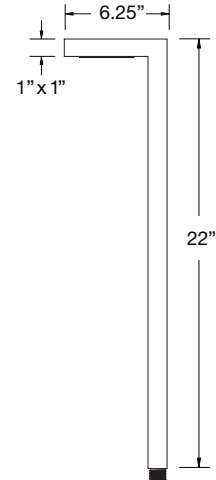


MDB-02-AB

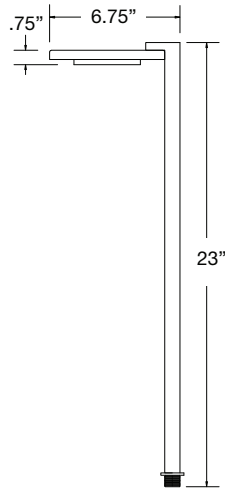
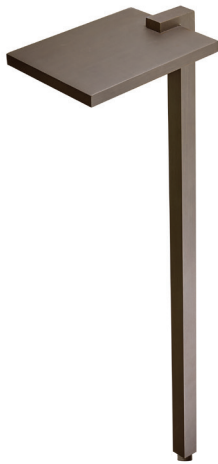
APPLICATION	Illuminating Pathways, Bed Areas and Driveways	
CONSTRUCTION	Solid Cast Brass	
FINISH	MDB-01-BK / MDB-02-BK	Matte Black
	MDB-01-AB / MDB-02-AB	Antiqued Brass
WIRE LEAD	25 Feet of 18-2 Wire	
STAKE	X-801 Heavy Duty Ground Stake	
LED LAMP	4 Watt Integrated LED	
LENS	Frosted Glass	
HEIGHT	MDB-01 16"	Light Spread: 5-7'
	MDB-02 22"	Light Spread: 6-8'
DIMMABLE	MDB-01-BK / MDB-02-BK / MDB-01-AB / MDB-02-AB	



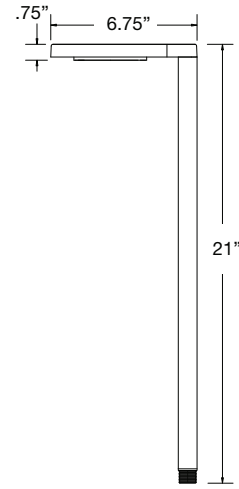
MDB-03



MDB-04



MDB-06

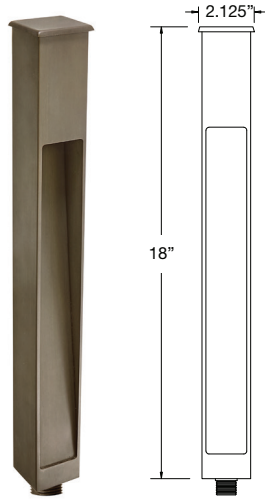


MDB-07

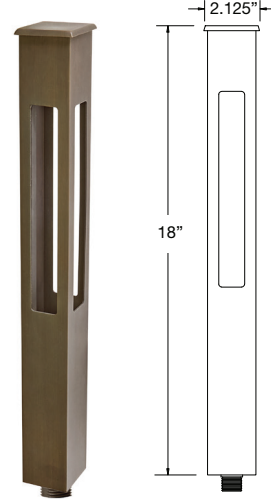
APPLICATION	Illuminating Pathways, Bed Areas and Driveways	
CONSTRUCTION	Solid Cast Brass	
FINISH	Antiqued Brass	
WIRE LEAD	25 Feet of 18-2 Wire	
STAKE	X-801 Heavy Duty Ground Stake	
LED LAMP	MDB-03 / MDB-04	3 Watt LED G4 Bi Pin
	MDB-06 / MDB-07	4 Watt Integrated LED
LENS	Frosted Glass	
HEIGHT	MDB-03 21"	Light Spread: 6-8'
	MDB-04 22"	Light Spread: 6-8'
	MDB-06 23"	Light Spread: 8-10'
	MDB-07 21"	Light Spread: 8-10'
DIMMABLE	MDB-03 / MDB-04 / MDB-06 / MDB-07	

PATH & AREA LIGHTING / BOLLARDS

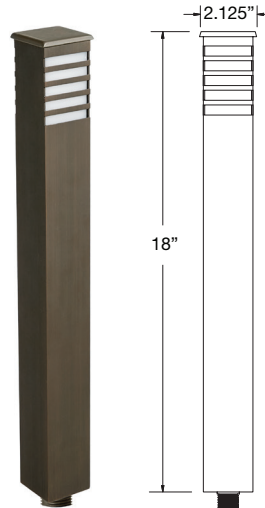
BRASS



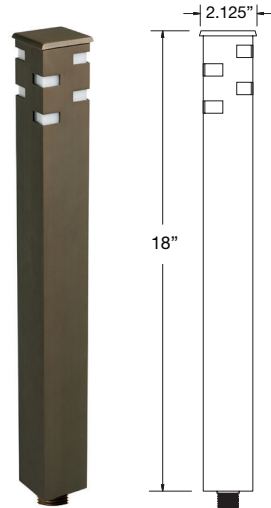
BOL-03



BOL-04



BOL-13

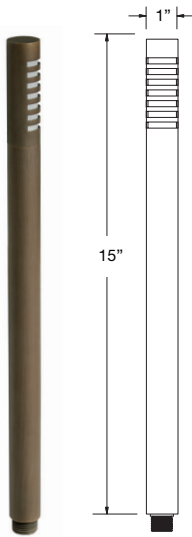


BOL-14

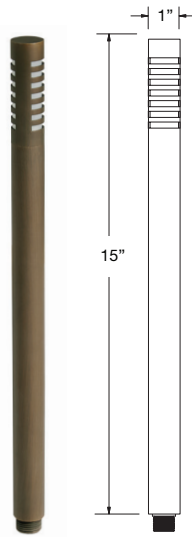
APPLICATION	Illuminating Pathways, Bed Areas and Driveways		
CONSTRUCTION	Brass		
FINISH	Antiqued Brass		
WIRE LEAD	25 Feet of 18-2 Wire		
STAKE	X-801 Heavy Duty Ground Stake		
LED LAMP	BOL-03 / BOL-04	4 Watt Integrated LED	
	BOL-13 / BOL-14	4 Watt LED G4 Bi-Pin	
HEIGHT	BOL-03	18"	Light Spread: 4-6'
	BOL-04	18"	Light Spread: 6-8'
	BOL-13	18"	Light Spread: 4-6'
	BOL-14	18"	Light Spread: 4-6'
DIMMABLE	BOL-13 / BOL-14 / BOL-03 / BOL-04		

PATH & AREA LIGHTING / BOLLARDS

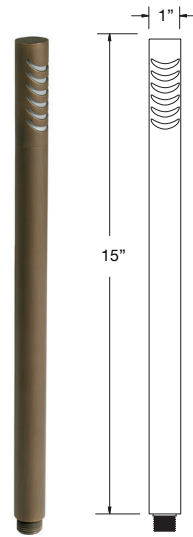
BRASS



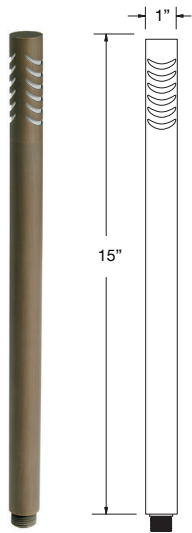
BOL-09



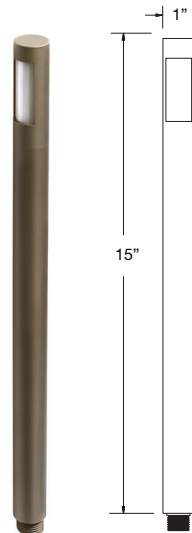
BOL-10



BOL-11



BOL-12

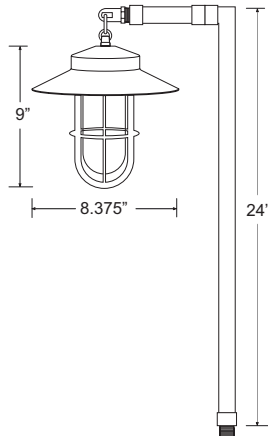


BOL-15

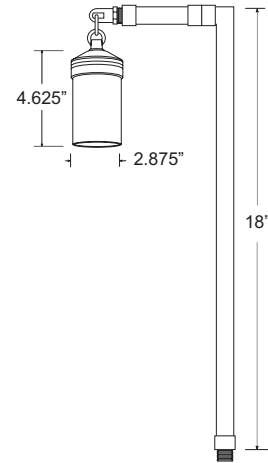
APPLICATION	Illuminating Pathways, Bed Areas and Driveways	
CONSTRUCTION	Brass	
FINISH	Antiqued Brass	
WIRE LEAD	25 Feet of 18-2 Wire	
STAKE	X-800 Heavy Duty Ground Stake	
LED LAMP	3 Watt G4 LED Bi-Pin	
LED LAMP OPTIONS	1 Watt, 2 Watt G4 LED Bi-Pin, Bluetooth RGBW LED	
HEIGHT	BOL-09 15"	Light Spread: 6-8'
	BOL-10 15"	Light Spread: 6-8'
	BOL-11 15"	Light Spread: 6-8'
	BOL-12 15"	Light Spread: 6-8'
	BOL-15 15"	Light Spread: 6-8'
DIMMABLE	BOL-09 / BOL-10 / BOL-11 / BOL-12 / BOL-15	

PATH & AREA LIGHTING

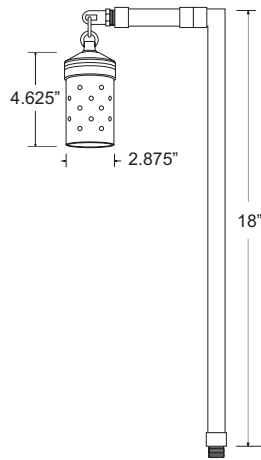
BRASS



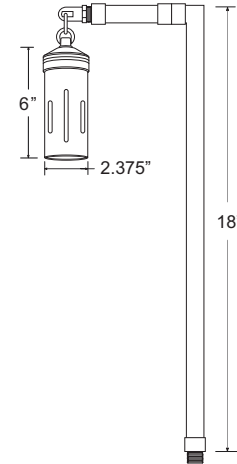
BL-201-HL



BL-202-HL

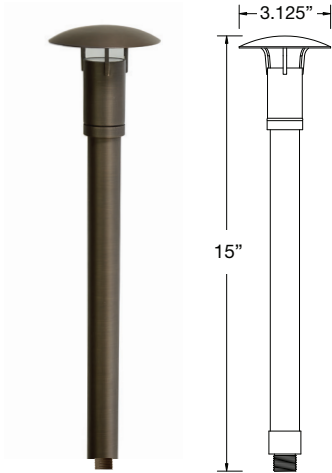


BL-203-HL

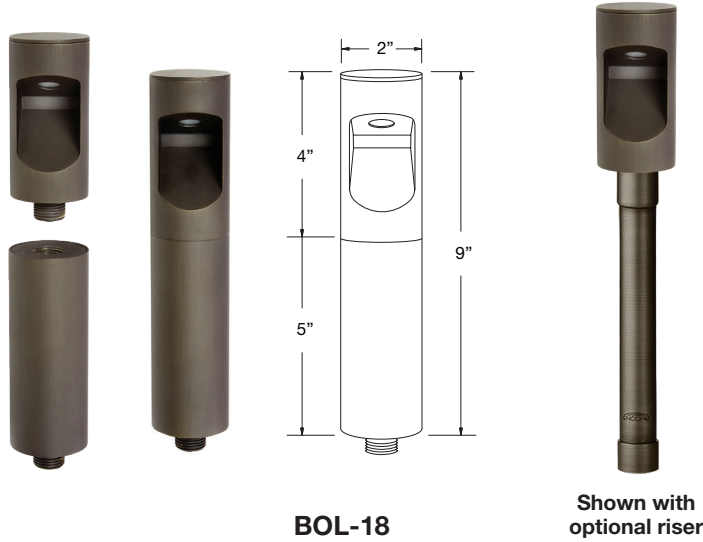


BL-204-HL

APPLICATION	Illuminating Pathways, Bed Areas and Driveways	
CONSTRUCTION	Solid Brass	
FINISH	Antiqued Brass	
WIRE LEAD	25 Feet of 18-2 Wire	
STAKE	X-801 Heavy Duty Ground Stake	
LED LAMP	BL-201-HL	A19 Medium Base LED Lamp 2 Watt, 4 Watt or 6 Watt Bluetooth RGBW LED
	BL-202-HL	MR16 LED 4 Watt or 6 Watt G4 LED 4 Watt Bi-Pin Bluetooth RGBW LED
	BL-203-HL / BL-204-HL	G4 LED 4 Watt Bi-Pin Bluetooth RGBW LED
DIMMABLE	BL-201-HL / BL-202-HL / BL-203-HL / BL-204-HL	



MDB-05



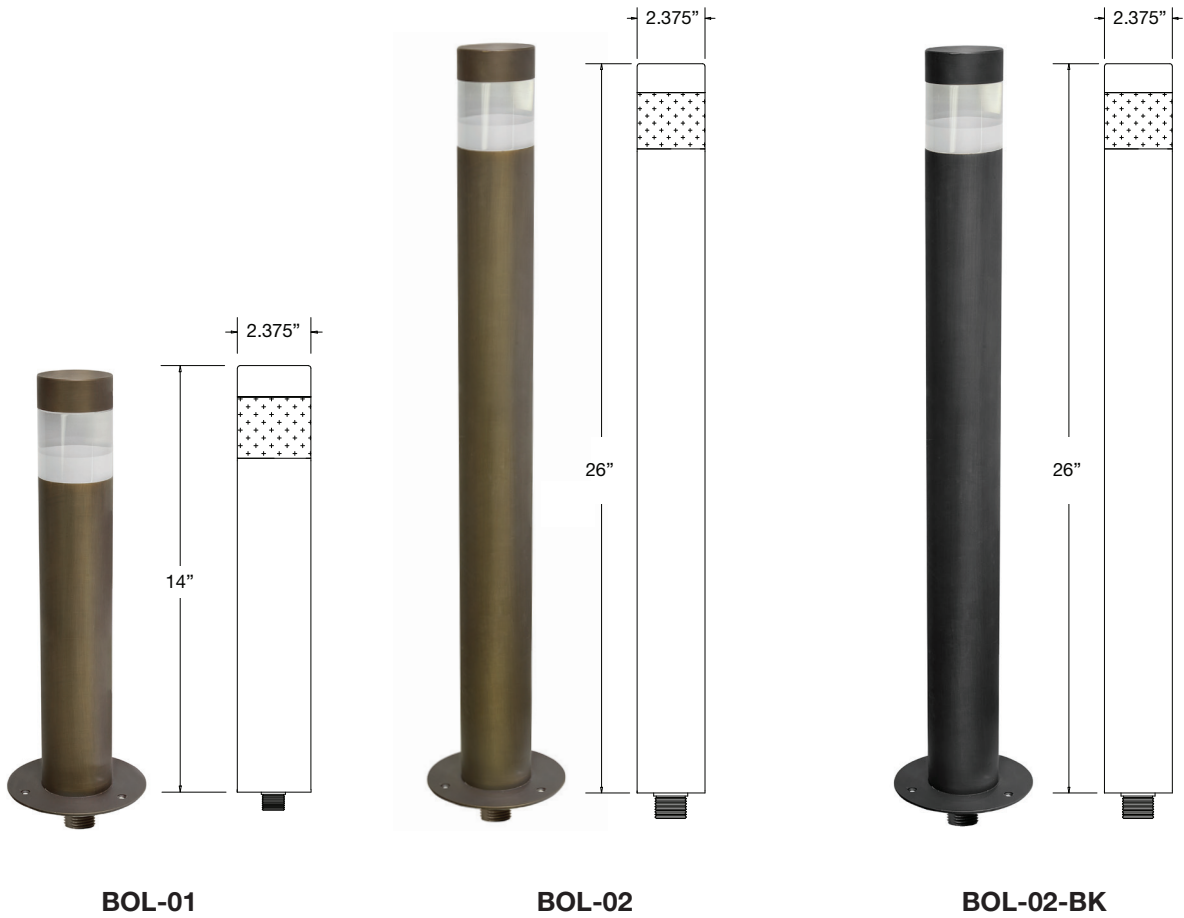
BOL-18

Shown with optional riser

APPLICATION	Illuminating Pathways, Bed Areas and Driveways	
CONSTRUCTION	Solid Cast Brass	
FINISH	Antiqued Brass	
WIRE LEAD	25 Feet of 18-2 Wire	
STAKE	X-801 Heavy Duty Ground Stake	
LED LAMP	MDB-05	3 Watt LED Module
	BOL-18	4 Watt Integrated LED
LENS	Frosted Glass	
HEIGHT	MDB-05 15"	Light Spread: 4-6'
	BOL-18 9"	Light Spread: 6-8'
DIMMABLE	MDB-05 / BOL-18	

PATH & AREA LIGHTING / BOLLARDS

BRASS



APPLICATION	Illuminating Pathways, Bed Areas and Driveways		
CONSTRUCTION	Solid Cast Brass		
FINISH	BOL-01 / BOL-02	Antiqued Brass	
	BOL-02-BK	Matte Black	
WIRE LEAD	25 Feet of 18-2 Wire		
MOUNTING	Brass Mounting Plate with X-801 Heavy Duty Ground Stake or X-805 Tri-Stake		
LED LAMP	4 Watt LED MR16		
LED LAMP OPTIONS	1 Watt, 2 Watt, 3 Watt, 4 Watt LED G4 Bi-Pin 3 Watt MR8 or MR11 LED 6 Watt MR16 LED, 9 Watt MR16 Bluetooth RGBW LED		
LENS	Clear Glass		
HEIGHT	BOL-01	14"	Light Spread: 8-10'
	BOL-02	26"	Light Spread: 10-12'
SPECIAL FEATURE	Surface Mount or Stake Mount		
DIMMABLE	BOL-01 / BOL-02 / BOL-02-BK		

PATH & AREA LIGHTING / BOLLARDS

BRASS



BOL-102



BOL-102-B



BOL-111

Fixture Height	15"	15"	15"
Post Diameter	2.375"	2.375"	2.375"
Surface Mounting Plate	Included	Included	Included
X-801 Heavy Duty Stake	Included	Included	Included



BOL-202



BOL-202-B



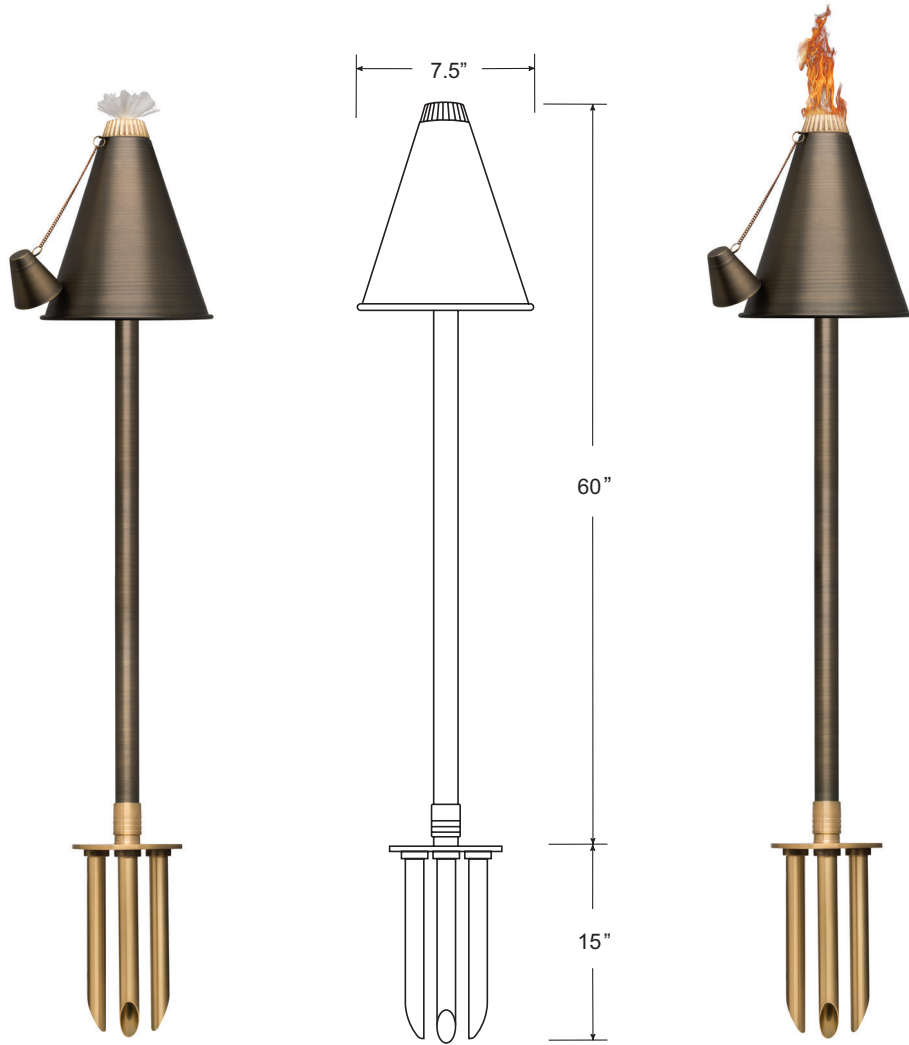
BOL-211

Fixture Height	26"	26"	26"
Post Diameter	2.375"	2.375"	2.375"
Surface Mounting Plate	Included	Included	Included
X-801 Heavy Duty Stake	Included	Included	Included

APPLICATION	Illuminating Pathways, Bed Areas and Driveways
CONSTRUCTION	Solid Cast Brass
FINISH	Antiqued Brass
WIRE LEAD	25 Feet of 18-2 Wire
MOUNTING	Brass Mounting Plate with X-801 Heavy Duty Ground Stake or X-805 Tri-Stake
LED LAMP	4 Watt LED MR16
LED LAMP OPTIONS	1 Watt, 2 Watt, 3 Watt, 4 Watt LED G4 Bi-Pin 3 Watt MR8 or MR11 LED 6 Watt MR16 LED or 9 Watt MR16 LED Bluetooth RGBW LED
SPECIAL FEATURES	Can Be Mounted to a Flat Surface or Stake Mounted
DIMMABLE	BOL-102 / BOL-102-B / BOL-111 / BOL-202 / BOL-202-B / BOL-211

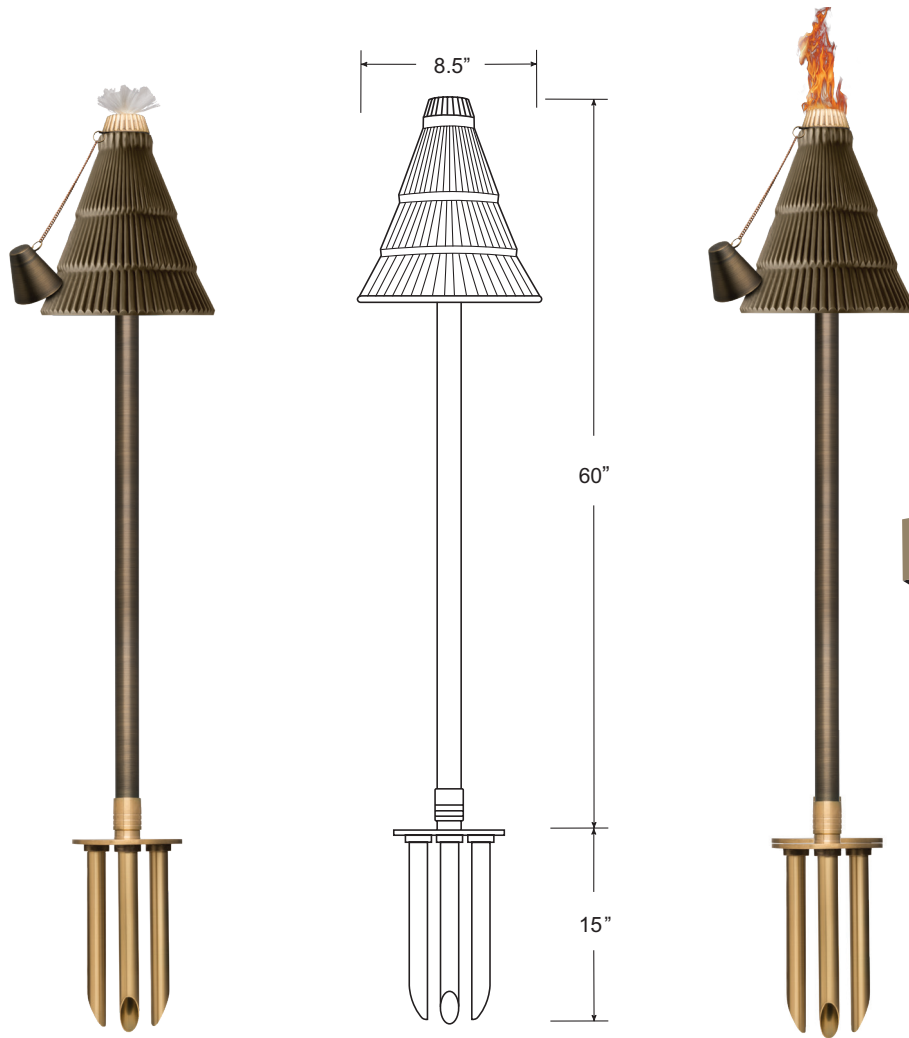
PATH & AREA LIGHTING

TIKI TORCH



TIKI TORCH-01

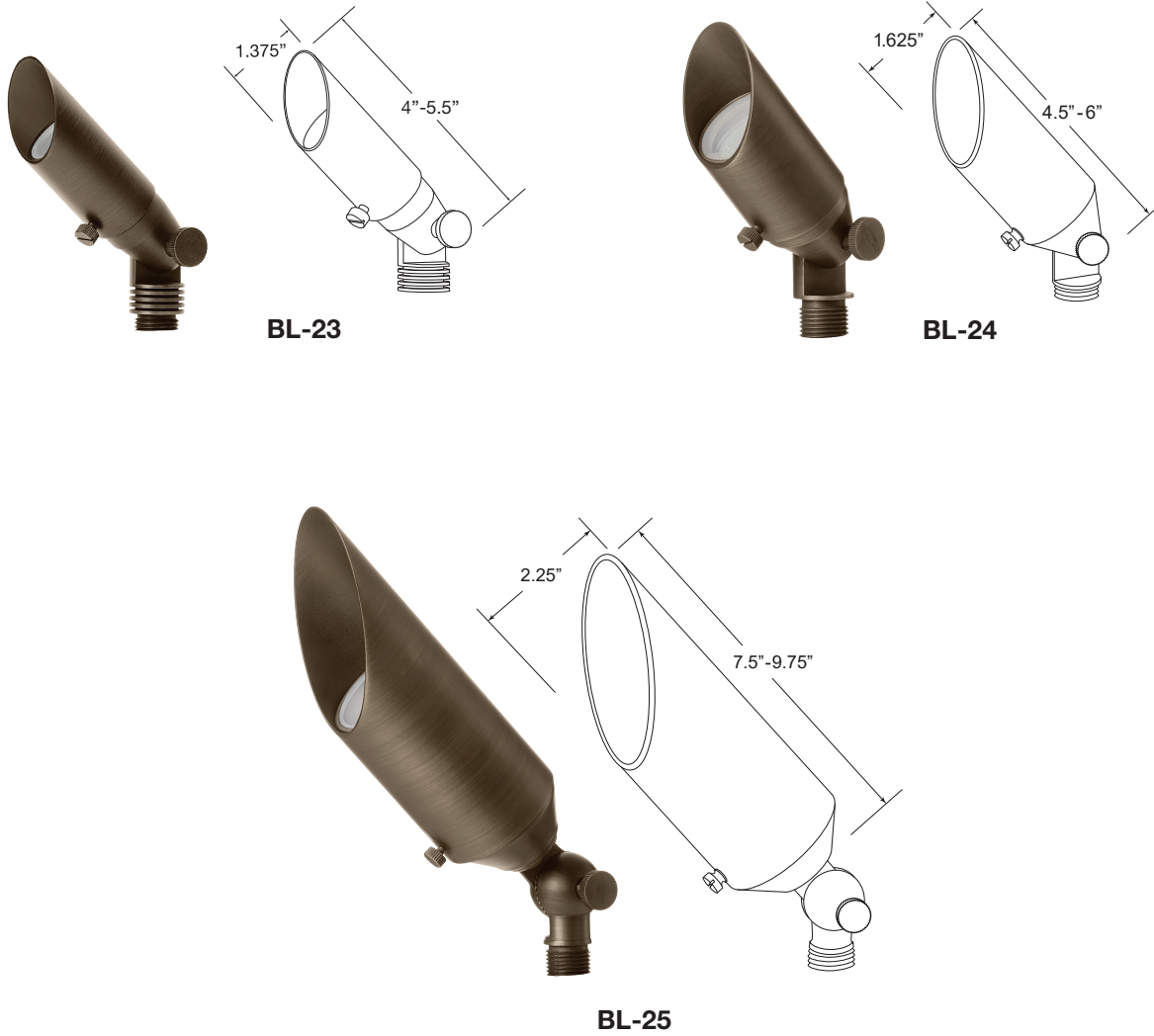
APPLICATION	Illuminating Pathways, Bed Areas, Driveways, Deck Areas, Entertainment Areas
CONSTRUCTION	Solid Cast Brass Shade with Heavy Brass Post Two in One - Oil Filled Reservoir for Flame Effect and LED Light Source
FINISH	Antiqued Brass
WIRE LEAD	25 Feet of 18-2 Wire
STAKE	X-805 Super Heavy Duty Three Prong Brass Ground Stake
LED LAMP	4 Watt LED G4 Bi-Pin
LED LAMP OPTIONS	1 Watt, 2 Watt, 3 Watt LED G4 Bi-Pin Bluetooth RGBW LED
LENS	Clear and Frosted Glass Dome
HEIGHT	60" Light Spread: 12-15'
DIMMABLE	TIKI TORCH-01



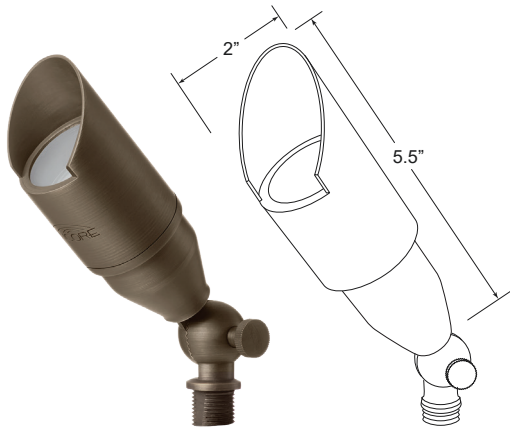
TIKI TORCH-02

APPLICATION	Illuminating Pathways, Bed Areas, Driveways, Deck Areas, Entertainment Areas
CONSTRUCTION	Solid Cast Brass Shade with Heavy Brass Post Two in One - Oil Filled Reservoir for Flame Effect and LED Light Source
FINISH	Antiqued Brass
WIRE LEAD	25 Feet of 18-2 Wire
STAKE	X-805 Super Heavy Duty Three Prong Brass Ground Stake
LED LAMP	4 Watt LED G4 Bi-Pin
LED LAMP OPTIONS	1 Watt, 2 Watt, 3 Watt LED G4 Bi-Pin Bluetooth RGBW LED
LENS	Clear and Frosted Glass Dome
HEIGHT	60" Light Spread: 12-15'
DIMMABLE	TIKI TORCH-02

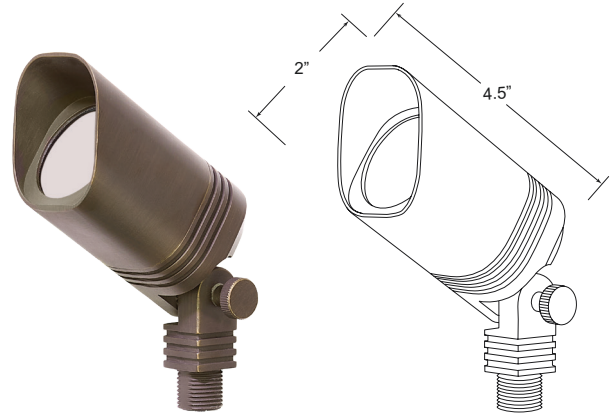
UP LIGHTING



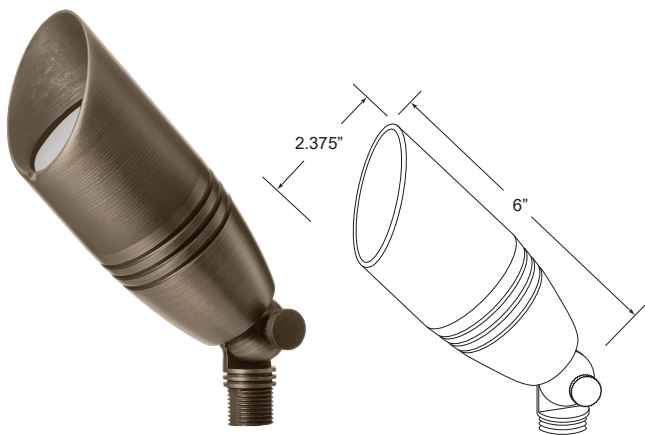
APPLICATION	Up Lighting of Trees, Homes and Structures	
CONSTRUCTION	Solid Cast Brass with Telescoping, 360 Degree Rotatable Shroud	
FINISH	Antiqued Brass	
WIRE LEAD	25 Feet of 18-2 Wire	
STAKE	X-800 Heavy Duty Ground Stake	
LED LAMP	BL-23	3 Watt LED MR8
	BL-24	3 Watt LED MR11
	BL-25	4 Watt, 6 Watt, or 9 Watt LED MR16
LED LAMP OPTIONS	BL-25	Bluetooth RGBW LED
LENS	Clear Glass	
OPTIONAL LENS	Frosted, Honeycomb, Moonlight Blue	
DIMMABLE	BL-23 / BL-24 / BL-25	



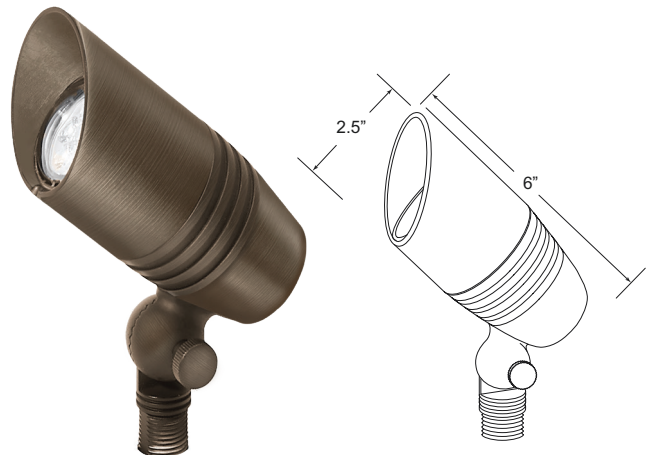
BL-20



BL-21



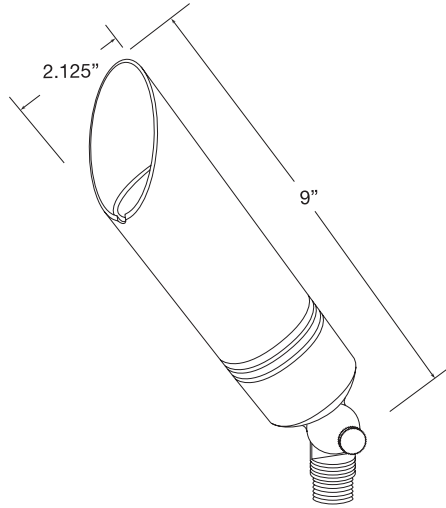
BL-26



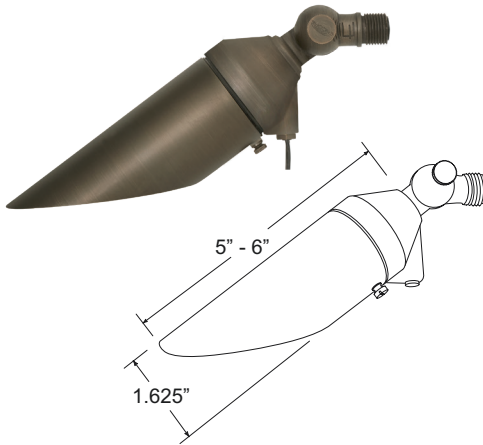
BL-28

APPLICATION	Up Lighting of Trees, Homes and Structures
CONSTRUCTION	Solid Cast Brass
FINISH	Antiqued Brass
WIRE LEAD	25 Feet of 18-2 Wire
STAKE	X-800 Heavy Duty Ground Stake
LED LAMP	BL-20 / BL-21 4 Watt or 6 Watt LED MR16 BL-26 / BL-28 4 Watt, 6 Watt, or 9 Watt LED MR16
LED LAMP OPTIONS	Bluetooth RGBW LED
LENS	Clear Glass
OPTIONAL LENS	Frosted, Honeycomb, Moonlight Blue
DIMMABLE	BL-20 / BL-21 / BL-26 / BL-28

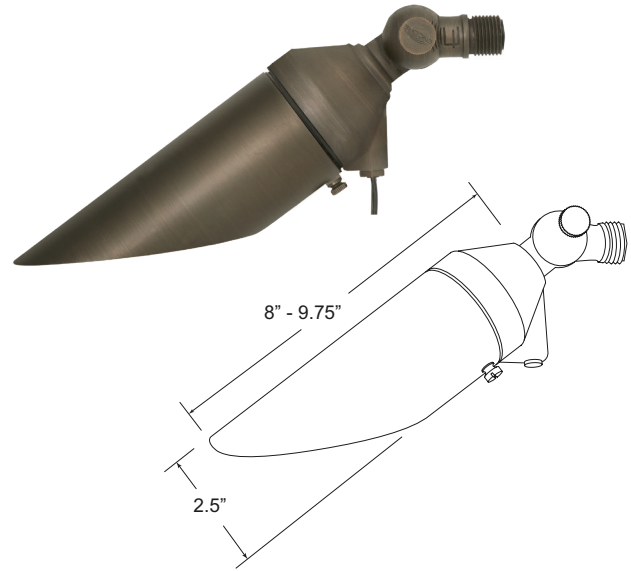
UP & DOWN LIGHTING



BL-29



DL-24

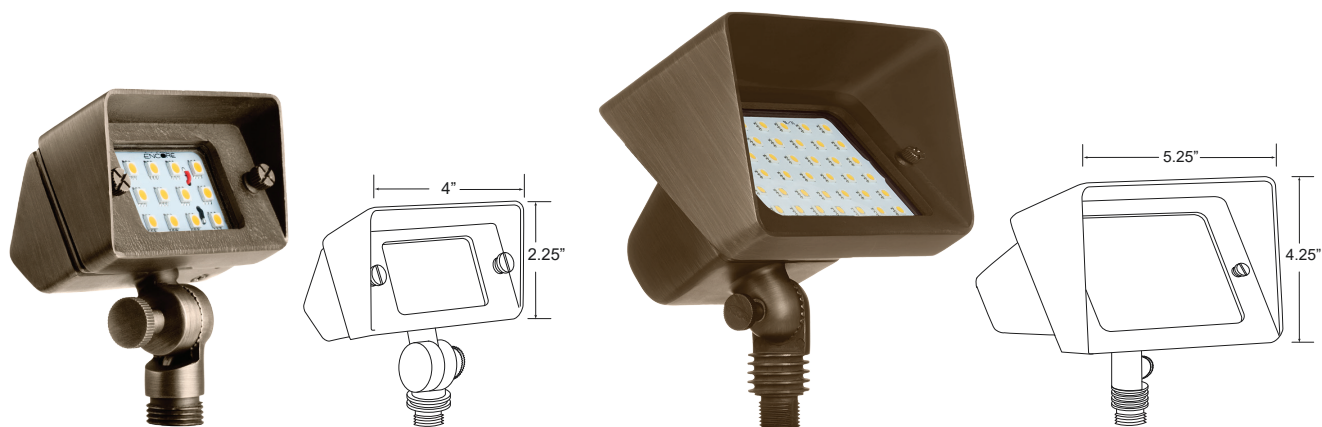


DL-25

APPLICATION	Up or Down Lighting of Trees, Homes and Structures	
CONSTRUCTION	Solid Cast Brass	
FINISH	Antiqued Brass	
WIRE LEAD	BL-29	25 Feet of 18-2 Wire
	DL-24 / DL-25	50 Feet of 18-2 Wire
STAKE	BL-29	X-800 Heavy Duty Ground Stake
LED LAMP	BL-29 / DL-25	4 Watt, 6 Watt, or 9 Watt LED MR16
	DL-24	3 Watt LED MR11
LED LAMP OPTIONS	BL-29	Bluetooth RGBW LED
	DL-25	Bluetooth RGBW LED
LENS	Clear Glass	
OPTIONAL LENS	Frosted, Honeycomb, Moonlight Blue	
DIMMABLE	BL-29 / DL-24 / DL-25	

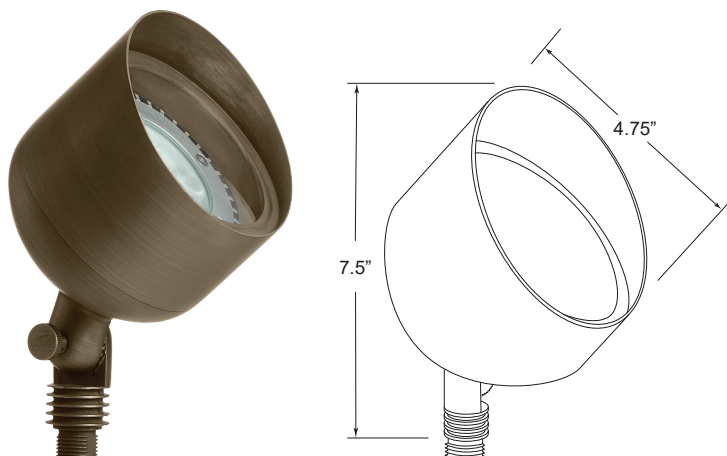
UP & DOWN WALL WASHER / FLOOD LIGHTING

BRASS



BL-30

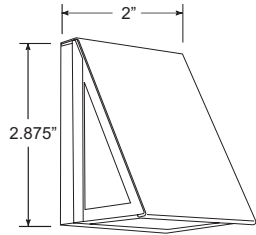
BL-31



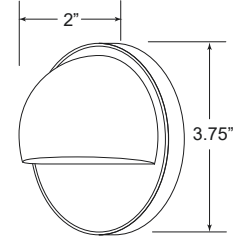
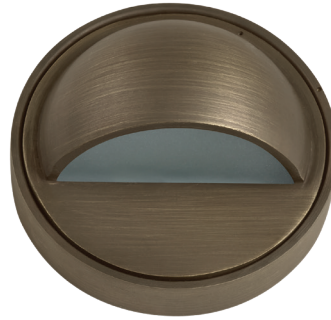
BL-32

APPLICATION	Up or Down Lighting of Walls, Signs, Buildings, Homes, Water Features and Structures	
CONSTRUCTION	Solid Cast Brass	
FINISH	Antiqued Brass	
WIRE LEAD	25 Feet of 18-2 Wire	
STAKE	BL-30	X-800 Heavy Duty Ground Stake
	BL-31 / BL-32	X-801 Heavy Duty Ground Stake
LED LAMP	BL-30	3 Watt LED Panel
	BL-31	6 Watt LED Panel
	BL-32	6, 10, 13 or 17 Watt LED Par 36
LED LAMP OPTIONS	BL-30	3 Watt or 4 Watt G4 LED
	BL-31	4 Watt or 6 Watt LED MR16
	BL-31	20 Watt Super Bright LED Panel
	BL-31 / BL-32	Bluetooth RGBW LED
LENS	Clear, Frosted and Linear Glass	
DIMMABLE	BL-30 / BL-31 / BL-32	

DECK / STEP LIGHTING



SD-02



SD-46



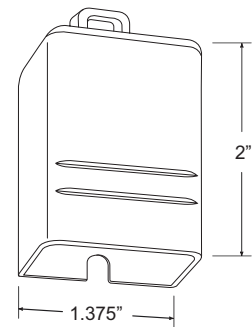
SD-03-AB



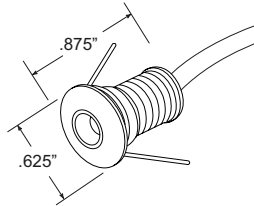
SD-03-BK



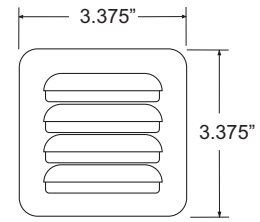
SD-03-WH



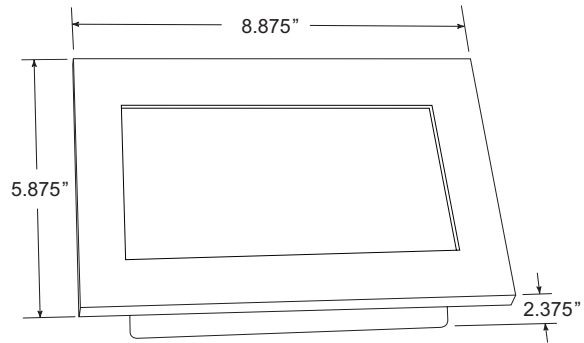
APPLICATION	Illuminating Decks, Steps, Posts, Outdoor Kitchens, Walls & Docks, Lanais	
CONSTRUCTION	Solid Brass	
FINISH	SD-02 / SD-46	Antiqued Brass
	SD-03	Antiqued Brass, Black or White
WIRE LEAD	25 Feet of 18-2 Wire	
LED LAMP	SD-02 / SD-46	3 Watt LED G4 Bi-Pin
	SD-03	3 Watt LED Integrated
LED LAMP OPTIONS	SD-02 / SD-46	1 Watt or 2 Watt G4 Bi-Pin
DIMMABLE	SD-02 / SD-46	
NON-DIMMABLE	SD-03	



MICRO LIGHTS



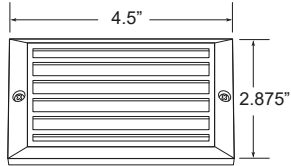
SD-40



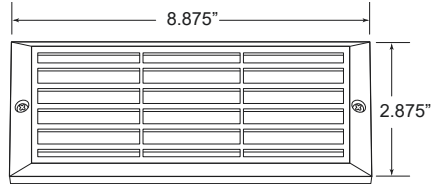
SD-60 BRICK PAVER

APPLICATION	Illuminating Decks, Steps, Posts, Outdoor Kitchens, Walls & Docks, Brick Pavers	
CONSTRUCTION	Solid Brass	
FINISH	SD-40 / SD-60	Antiqued Brass
	MICRO LIGHTS	Nickel, Black or White
WIRE LEAD	25 Feet of 18-2 Wire	
LED LAMP	MICRO LIGHTS	1 Watt LED Integrated
	SD-40	Integrated Adjustable CCT (Kelvin) Adjustable from 2200k to 5000k, Dimming Controlled with Remote
	SD-60	3 Watt LED Panel
LENS	Frosted Glass	
DIMMABLE	SD-40 with Remote Controller	
NON-DIMMABLE	SD-60 / MICRO LIGHTS	

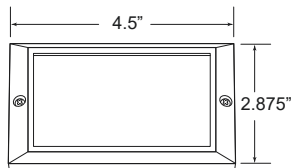
DECK / STEP LIGHTING



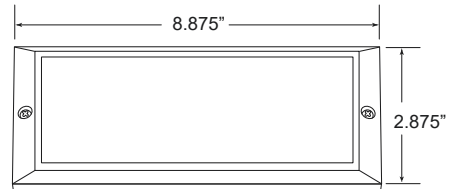
SD-400



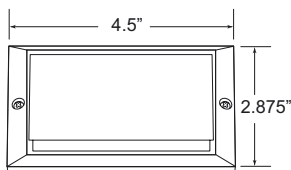
SD-403



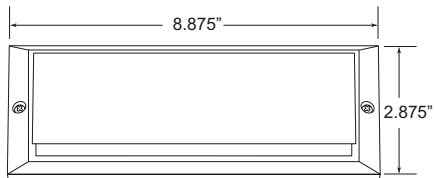
SD-401



SD-404

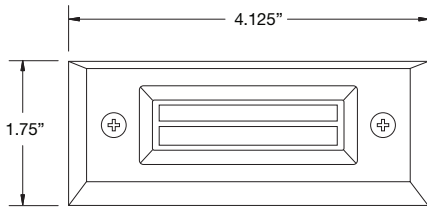
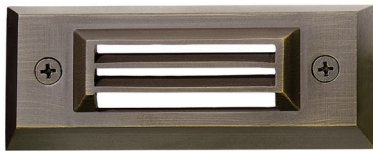


SD-402

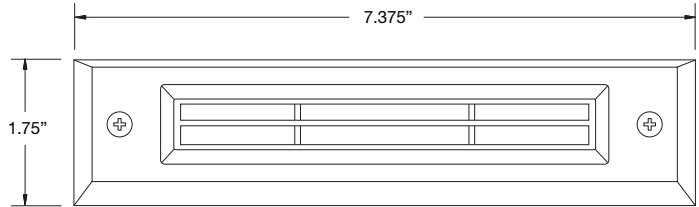
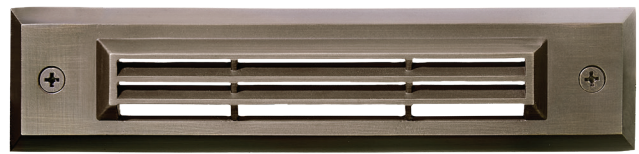


SD-405

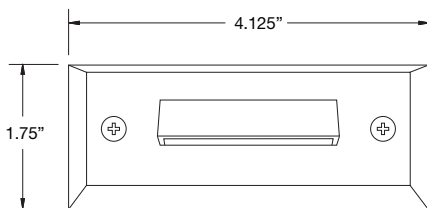
APPLICATION	Illuminating Decks, Steps, Posts, Outdoor Kitchens, Walls & Docks
CONSTRUCTION	Solid Brass
FINISH	Antiqued Brass
WIRE LEAD	25 Feet of 18-2 Wire
LED LAMP	2 Watt LED Panel
LENS	Frosted Lens
DIMMABLE	SD-400 / SD-401 / SD-402 / SD-403 / SD-404 / SD-405



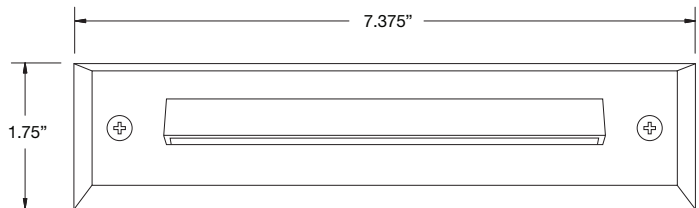
SD-410



SD-413



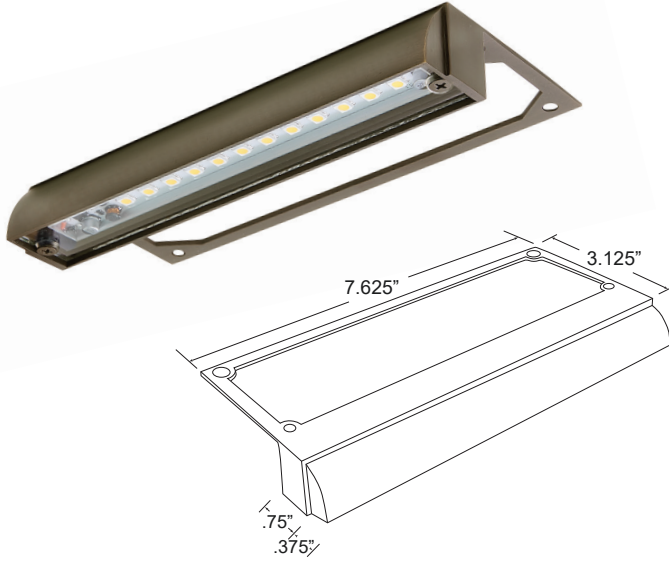
SD-412



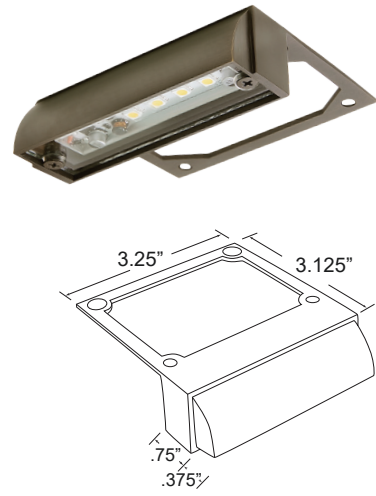
SD-415

APPLICATION	Illuminating Decks, Steps, Posts, Outdoor Kitchens, Walls & Docks
CONSTRUCTION	Solid Brass
FINISH	Antiqued Brass
WIRE LEAD	25 Feet of 18-2 Wire
LED LAMP	2 Watt Dimmable LED Panel
LENS	Frosted Lens
DIMMABLE	SD-410 / SD-412 / SD-413 / SD-415

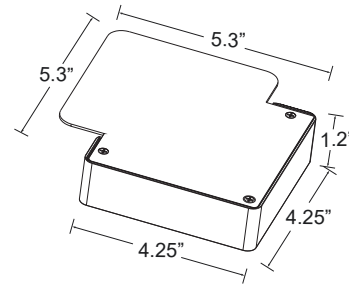
HARDSCAPE LIGHTING



SD-500-MKD

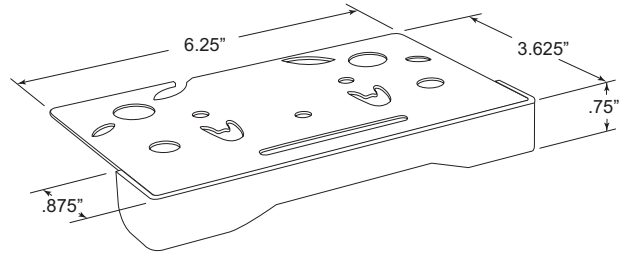


SD-501-MKD

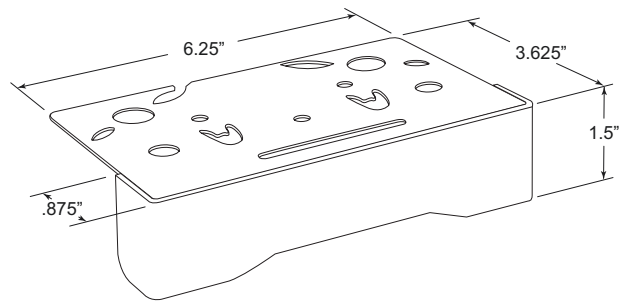


SD-505

APPLICATION	Illuminating Retaining Walls, Seat Walls, Steps, Decks, Railings, Outdoor Kitchens	
CONSTRUCTION	Solid Brass	
FINISH	Antiqued Brass	
WIRE LEAD	25 Feet of 20-2 Wire	
LED LAMP	SD-500-MKD / SD-505	3 Watt LED Lighting Strip
	SD-501-MKD	2 Watt LED Lighting Strip
LENS	Clear	
DIMMING FEATURES	SD-500-MKD / SD-501-MKD	40% / 60%, 80% and Full Brightness
ADJUSTABLE KELVIN	SD-500-MKD / SD-501-MKD	2700K / 3000K / 4000K
DIMMABLE	SD-500-MKD / SD-501-MKD / SD-505	



SD-506-MKD



SD-508-RGBW

APPLICATION	Illuminating Retaining Walls, Seat Walls, Steps, Decks, Railings, Outdoor Kitchens	
CONSTRUCTION	Solid Brass	
FINISH	Antiqued Brass	
WIRE LEAD	25 Feet of 20-2 Wire	
LED LAMP	SD-506	2 Watt LED Light Strip
	SD-508	3 Watt LED RGBW Bluetooth Light Strip
LENS	Clear and Frosted Glass	
SPECIAL FEATURES	Removable Front Plate for Easy Powder Coat Color Match	
DIMMING FEATURES	SD-506-MKD	40% / 60%, 80% and Full Brightness
ADJUSTABLE KELVIN	SD-506-MKD	2700K / 3000K / 4000K
DIMMABLE	SD-506-MKD SD-508-RGBW	(by using the Bluetooth App)

UP LIGHTING / INGROUND LIGHTING

BRASS



WL-80



WL-81



WL-83



WL-84



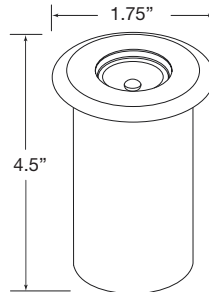
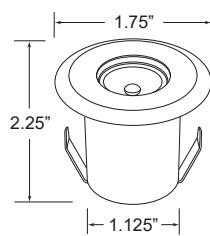
WL-85



WL-86



WL-87



- Nickel
- Black
- White
- Antique Brass

APPLICATION	Up Lighting of Trees, Walls, Homes, Columns, Pillars, Steps, Walkways
CONSTRUCTION	Solid Cast Brass with Composite Sleeve
FINISH	Antiqued Brass, Black, Nickel, White
WIRE LEAD	25 Feet of 18-2 Wire
LED LAMP	3W LED MR8
LENS	Clear Flat Glass
OPTIONAL LENS	Frosted Flat Glass
DIMMABLE	WL-80 / WL-81 / WL-83 / WL-84 / WL-85 / WL-86 / WL-87



WL-91



WL-93



WL-94



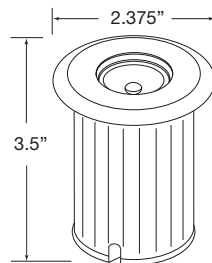
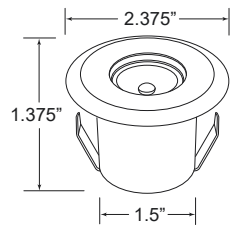
WL-95



WL-96



WL-97



- Nickel
- Black
- White
- Antique Brass

APPLICATION Illuminating Walks, Pathways, Outdoor Kitchens, Soffit Lighting, Wall Lighting

CONSTRUCTION Stainless Steel with Composite Sleeve

FINISH Nickel, Black, White or Antiqued Brass

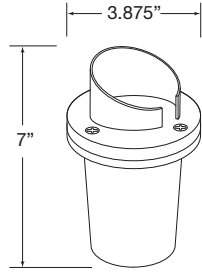
WIRE LEAD 25 Feet of 18-2 Wire

LED LAMP 1 Watt or 3 Watt Integrated LED

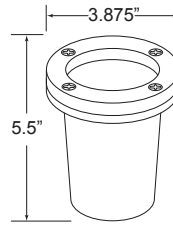
LENS Clear Flat Glass

DIMMABLE No

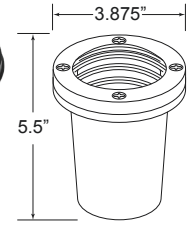
INGROUND WELL LIGHTING



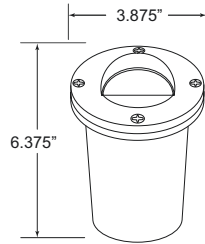
WL-100



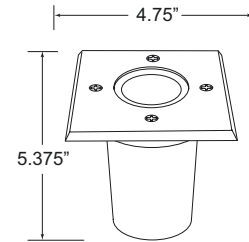
WL-101



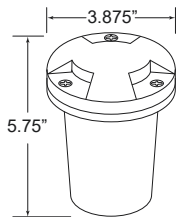
WL-102



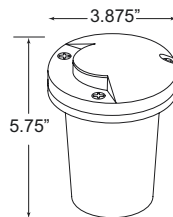
WL-103



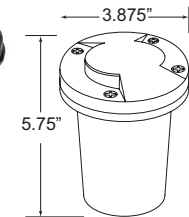
WL-105



WL-104



WL-106

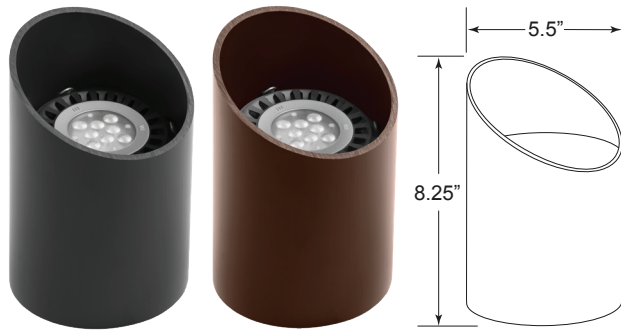


WL-107

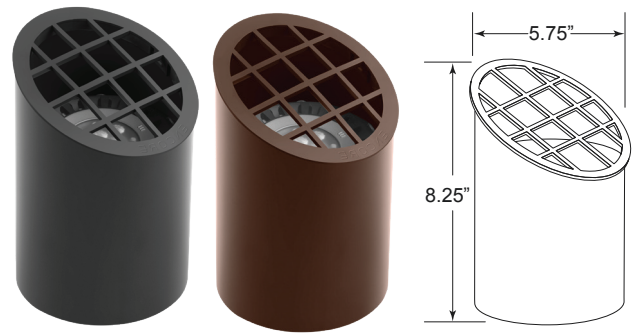
APPLICATION	Up Lighting of Trees, Walls, Homes, Columns, Pillars, Steps, Walkways
CONSTRUCTION	Solid Cast Brass Cover and Body with Composite Sleeve
FINISH	Antiqued Brass
WIRE LEAD	25 Feet of 18-2 Wire
STAKE	X-800 Heavy Duty Ground Stake
LED LAMP	4, 6, or 9 Watt LED MR16
LED LAMP OPTIONS	Bluetooth RGBW LED
LENS	Clear Flat Glass
OPTIONAL LENS	Frosted Flat Glass
OPTIONAL COVER	X-100-BRASS RING to be used as a Debris Guard when installed in Mulch or Turf
SPECIAL FEATURES	Brass Body and Cover with Composite Sleeve for Easy Installation in Concrete and Pavers. Each Fixture comes with an X-800 Stake for stable Installation
DIMMABLE	WL-100 / WL-81 / WL-101 / WL-102 / WL-103 / WL-104 / WL-105 / WL-106 / WL-107

WELL LIGHTS & INGROUND LIGHTS

COMPOSITE / BRASS



WL-235-BK / WL-235-LB



WL-335-BK / WL-335-LB

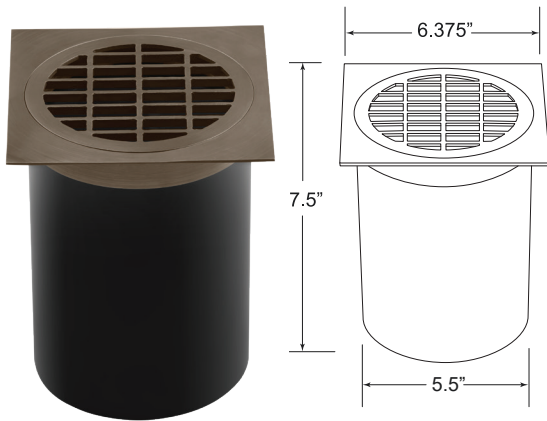


WL-435-BK / WL-435-LB

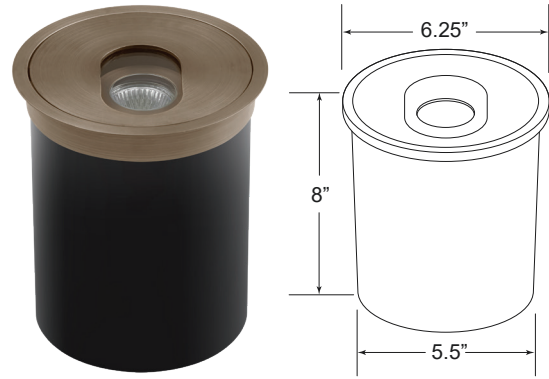
APPLICATION	Up Lighting of Trees, Walls, Homes, Columns, Pillars
CONSTRUCTION	Composite Body with Stainless Steel Adjustable Gimble Ring WL-235 No Cover WL-335 Composite Cover WL-435 Solid Cast Brass Cover with Glass
FINISH	Black or Brown
WIRE LEAD	25 Feet of 18-2 Wire
LED LAMP	WL-235 / WL-335 / WL-435 6, 10, 13, or 17 Watt LED PAR36
LED LAMP OPTIONS	Bluetooth RGBW LED
OPTIONAL LENS	Clear or Frosted Glass Lens
DIMMABLE	WL-235 / WL-335 / WL-435

WELL LIGHTS & INGROUND LIGHTS

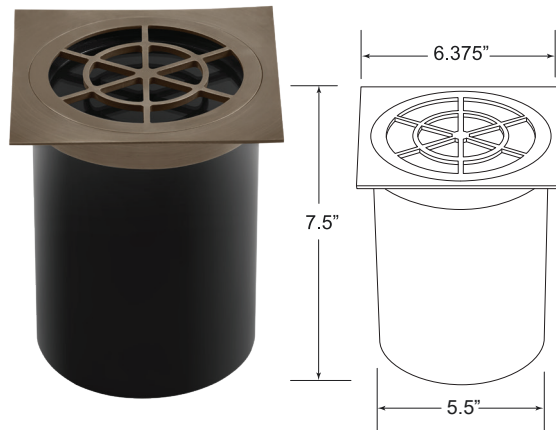
COMPOSITE / BRASS



WL-115

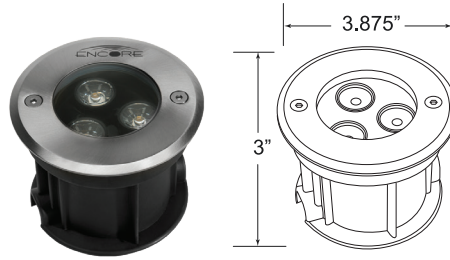


WL-113

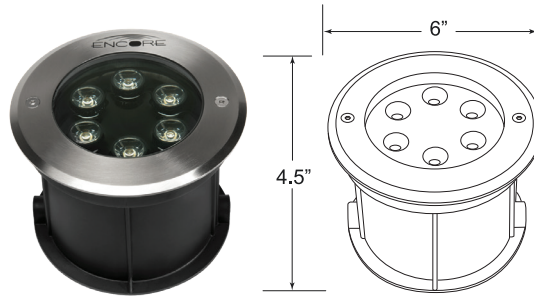


WL-116

APPLICATION	Up Lighting of Trees, Walls, Homes, Columns, Pillars	
CONSTRUCTION	Solid Cast Brass Cover with Composite Body	
FINISH	Antiqued Brass	
WIRE LEAD	25 Feet of 18-2 Wire	
LED LAMP	WL-115 / WL-116	6, 10, 13, or 17 Watt LED PAR36
	WL-113	4, 6, or 9 Watt MR16 LED
LED LAMP OPTIONS	Bluetooth RGBW LED	
LENS	Clear Flat Glass	
OPTIONAL LENS	Frosted Flat Glass	
DIMMABLE	WL-115 / WL-113 / WL-116	



UL-54-3W



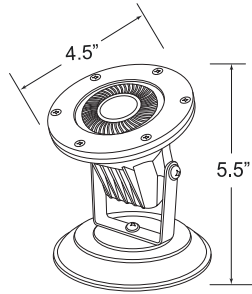
UL-54-6W



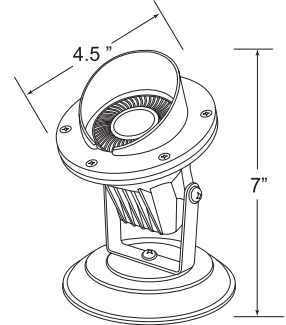
UL-54-9W

APPLICATION	Underwater and Inground Up Lighting
CONSTRUCTION	Stainless Steel Fixture with Composite Body Sleeve
FINISH	Stainless Steel
WIRE LEAD	25 Feet of 18-2 Wire
LED LAMP	Integrated LED 3 Watt, 6 Watt or 9 Watt
LENS	Clear Flat Glass
DIMMABLE	No

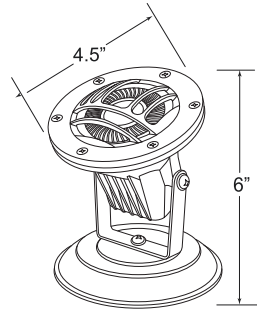
UNDERWATER LIGHTING



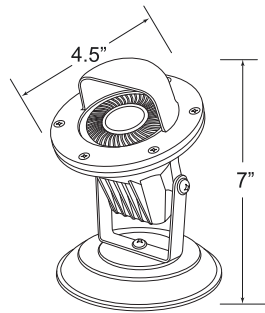
UL-55



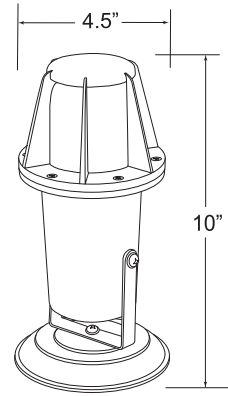
UL-56



UL-57

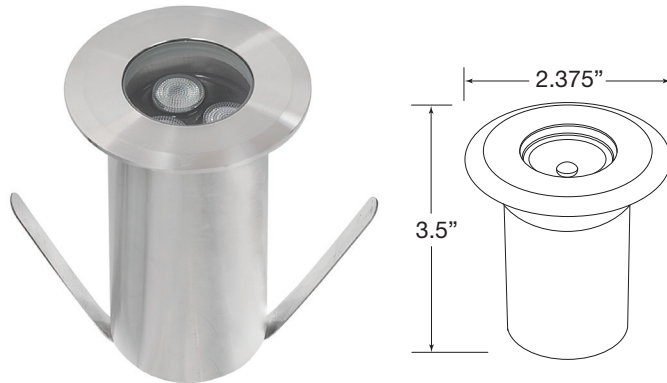


UL-58

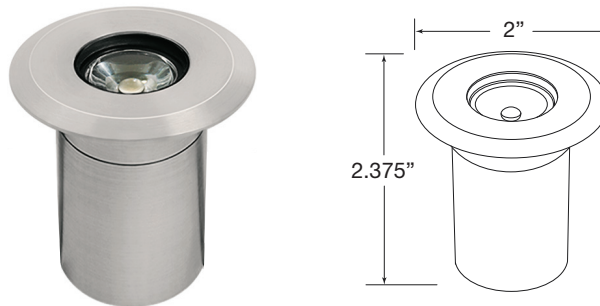


UL-59

APPLICATION	Underwater and Up Lighting
CONSTRUCTION	Solid Cast Brass
FINISH	Natural Brass
WIRE LEAD	25 Feet of 18-2 Wire
LED LAMP	4 Watt or 6 Watt LED MR16
LED LAMP OPTIONS	Bluetooth RGBW LED
LENS	Clear Flat Glass
DIMMABLE	UL-55 / UL-56 / UL-57 / UL-58 / UL-59



UL-53-9W



UL-53-3W

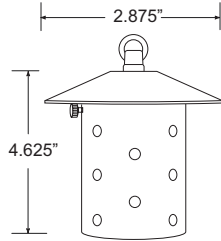
APPLICATION	Underwater and Up Lighting	
CONSTRUCTION	Stainless Steel	
FINISH	Stainless Steel	
WIRE LEAD	25 Feet of 18-2 Wire	
LED LAMP	UL-53-9W	9 Watt Integrated LED (Underwater Rated)
	UL-53-3W	3 Watt Integrated LED (Underwater Rated)
SPECIAL FEATURES	Underwater or Inground Applications	
LENS	Clear Flat Glass	
DIMMABLE	No	

HANGING LIGHTS

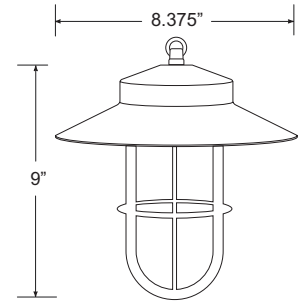
BRASS



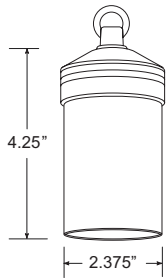
HL-200



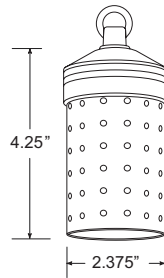
HL-201



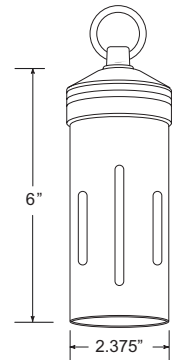
HL-202



HL-203



HL-204



APPLICATION Illuminating Decks, Porches, Outdoor Kitchens, Sun Rooms, Gazebos, Patios

CONSTRUCTION Solid Brass

FINISH Antiqued Brass

WIRE LEAD 25 Feet of 18-2 Wire

LED LAMP **HL-201** Medium Base A19 12 Volt or 120 Volt LED
HL-200 / HL-203 / HL-204 4 Watt LED G4 Bi-Pin
HL-202 4 Watt or 6 Watt LED MR16

LED LAMP OPTIONS **HL-201** Bluetooth RGBW LED
HL-200 / HL-202 / HL-203 / HL-204
 1 Watt, 2 Watt, 3 Watt LED G4 Bi-Pin
 3 Watt MR8 or MR11 LED
 4 Watt or 6 Watt MR16 LED
 Bluetooth RGBW LED

DIMMABLE **HL-200 / HL-210 / HL-202 / HL-203 / HL-204**



HL-02-SP



HL-02-B-SP



HL-09-A-SP



HL-09-F-SP



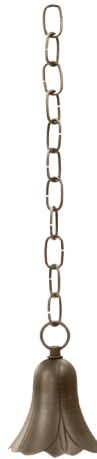
HL-09-H-SP



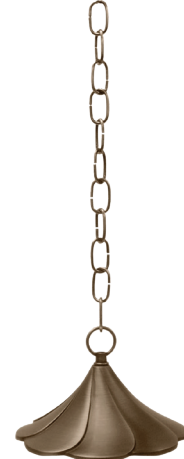
HL-02-B



HL-06



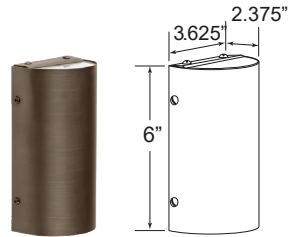
HL-12



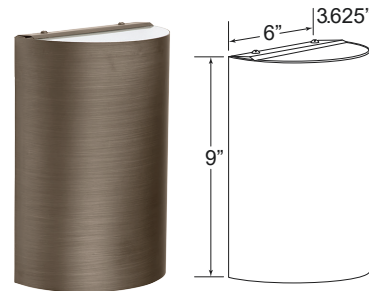
HL-14

APPLICATION	Illuminating Decks, Porches, Outdoor Kitchens, Sun Rooms, Gazebos, Patios
CONSTRUCTION	Solid Brass
FINISH	Antiqued Brass
WIRE LEAD	25 Feet of 18-2 Wire
LED LAMP	3 Watt LED G4 Bi-Pin
LED LAMP OPTIONS	1 Watt, 2 Watt, 4 Watt LED G4 Bi-Pin Bluetooth RGBW LED
LENS	Clear and Frosted Glass Dome
DIMMABLE	HL-02-SP / HL-02-B-SP / HL-09-A-SP / HL-09-F-SP / HL-09-H-SP HL-02-B / HL-06 / HL-12 / HL-14

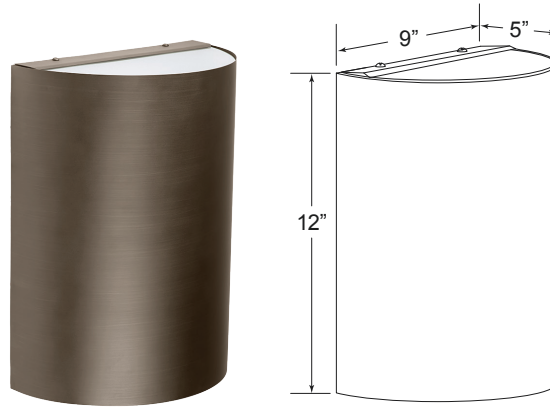
WALL SCONCES



WS-01

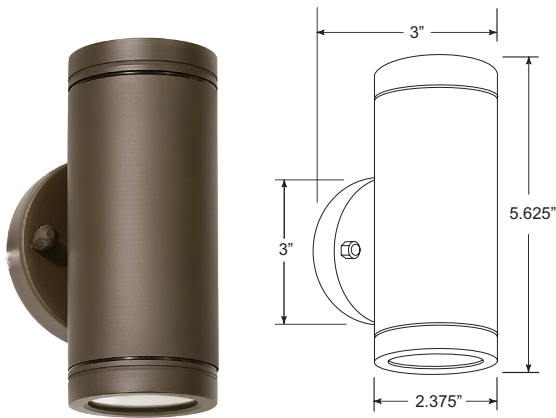


WS-02

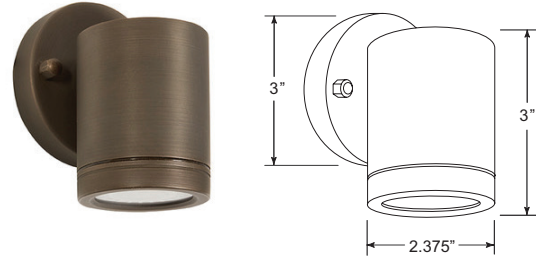


WS-03

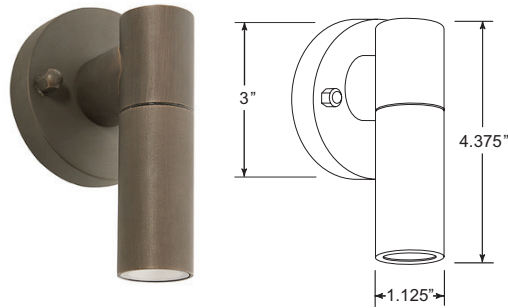
APPLICATION	Illuminating Front Entrance Ways, Porches, Decks, Walls, Garages
CONSTRUCTION	Solid Brass
FINISH	Antiqued Brass
WIRE LEAD	25 Feet of 18-2 Wire
LED LAMP	WS-01 / WS-02 (2) 3 Watt LED Bi-Pin WS-03 (2) Medium Base A-19 LED (12v or 120v)
LED LAMP OPTIONS	Bluetooth RGBW LED
DIMMABLE	WS-01 / WS-02 / WS-03



WS-04



WS-05

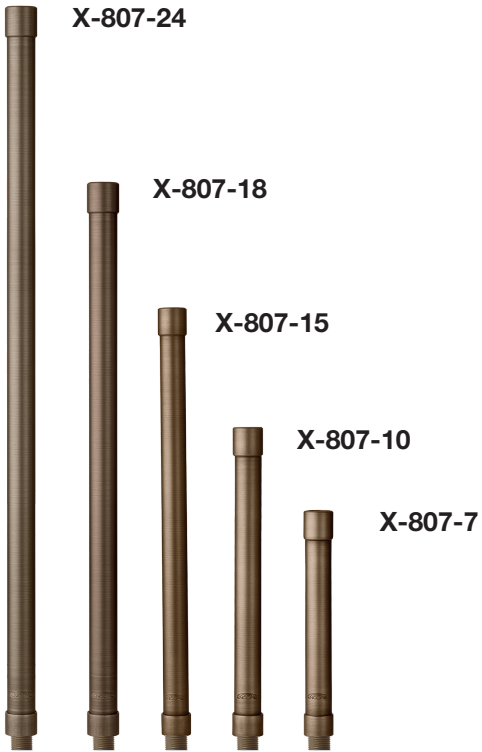


WS-06

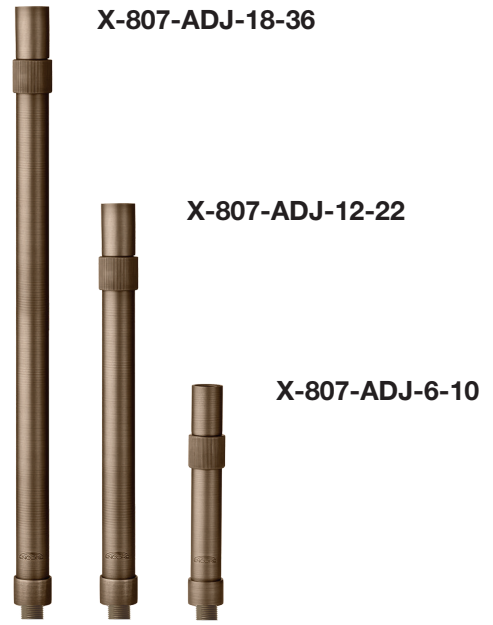
APPLICATION	Illuminating Front Entrance Ways, Porches, Decks, Walls, Garages	
CONSTRUCTION	Solid Brass	
FINISH	Antiqued Brass	
WIRE LEAD	25 Feet of 18-2 Wire	
LED LAMP	WS-04	(2) 4 Watt LED MR16
	WS-05	4 Watt LED MR16
	WS-06	3 Watt LED Integrated
LED LAMP OPTIONS	WS-04	Bluetooth RGBW LED
	WS-05	Bluetooth RGBW LED
DIMMABLE	WS-04 / WS-05 / WS-06	

ACCESSORIES

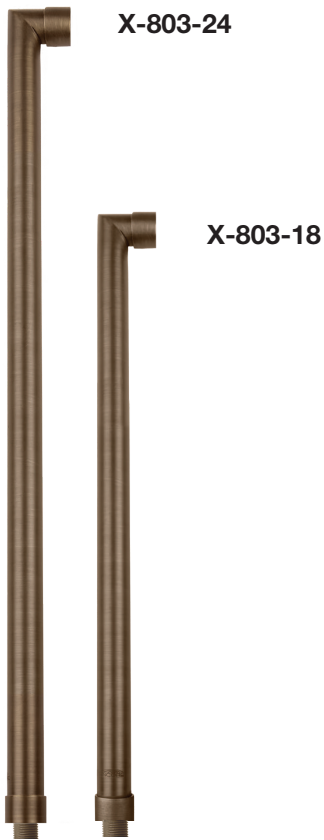
RISER EXTENSIONS



ADJUSTABLE RISER EXTENSIONS



ELBOWED POST



TEE POST



PERFECT POST ASSEMBLY



STAKES



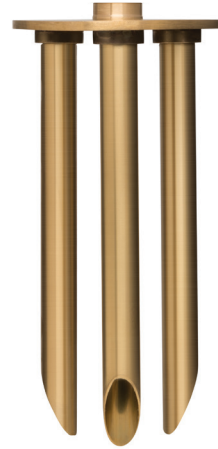
X-800



X-801



X-802



X-805

WALL MOUNT



X-813-AB



X-813-BK

TREE MOUNT



X-815

GUTTER MOUNT



X-818

WIRE NUTS



X-WC-2



X-WC-3



VOLTAGE BALANCER



X-900

ACCESSORIES



X-811



X-821



X-825



X-826



X-100-BRASS RING



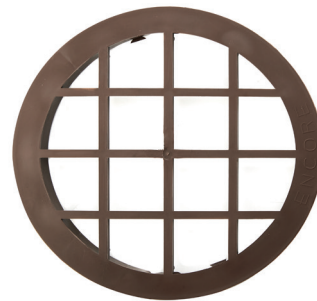
X-300-BRASS COVER-BK



X-300-BRASS COVER-LB



X-300-GRATE-BK



X-300-GRATE-LB



GIMBLE RING



ARCH



CONE



**X-GLASS DOME -
CLEAR**



X-BRASS TEE



**X-804
BRASS ELBOW**



X-816



**X-GLASS DOME -
FROSTED**



**X-BRASS
COUPLER-SMALL**



**X-BRASS
COUPLER**



**X-BRASS
COUPLER-XL**



**X-BRASS
FINIAL**



X-BRASS NIPPLE



**X-BRASS
NIPPLE-LONG**



**X-BRASS
NIPPLE-EXTENDER**



X-SOCKET-G6.35

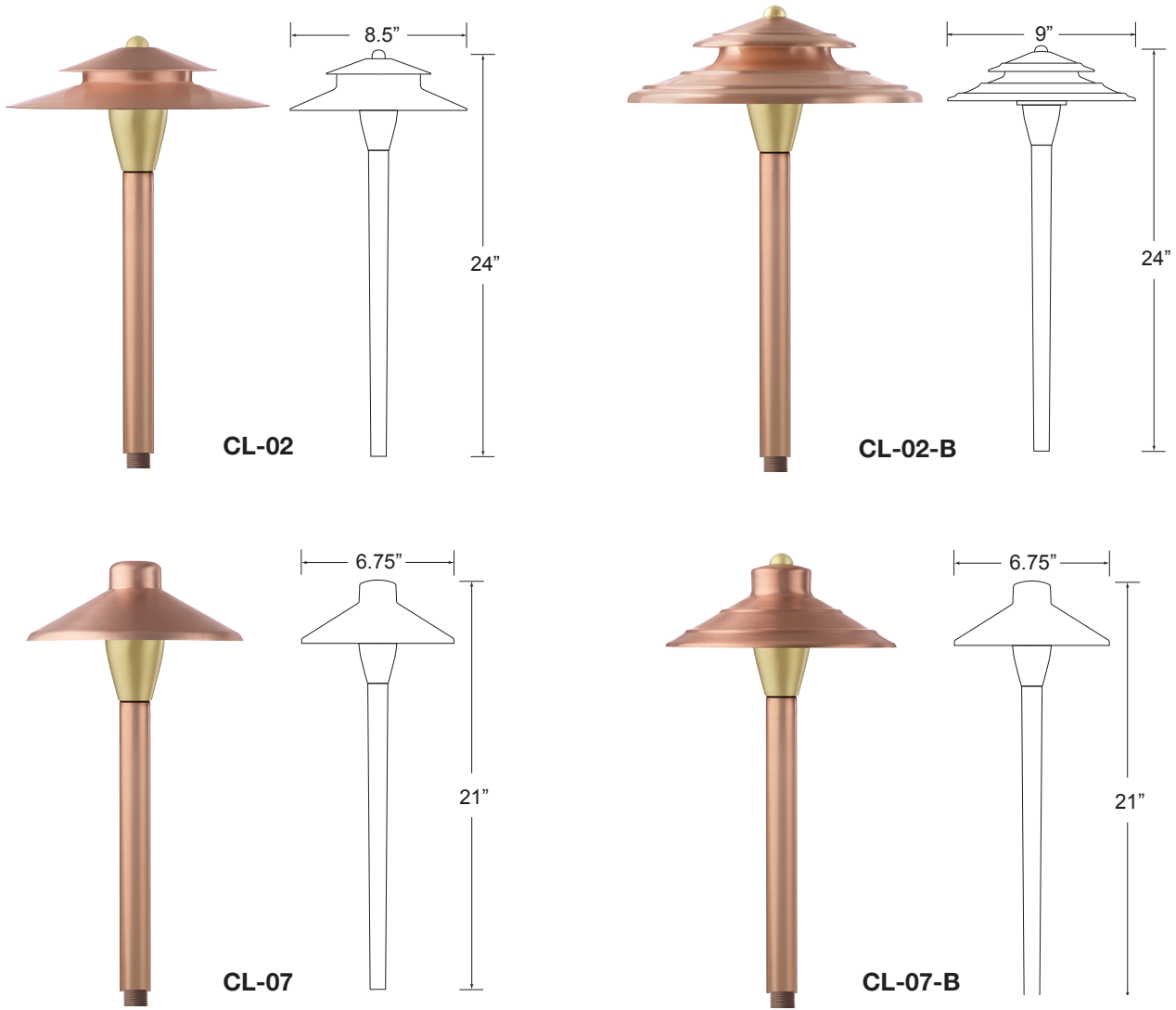


**X-BRASS
SOCKET POST**

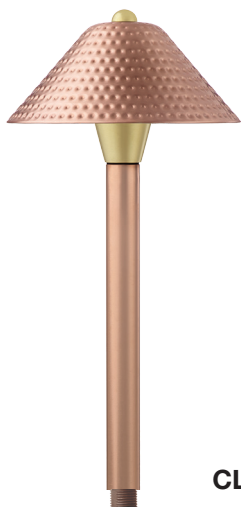


**X-BRASS
KNOB**

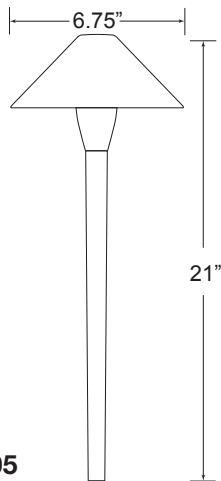
PATH & AREA LIGHTING



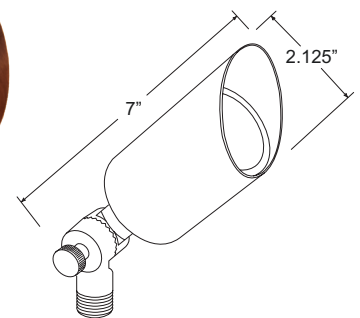
APPLICATION	Illuminating Pathways, Bed Areas and Driveways		
CONSTRUCTION	Copper Shade with Solid Copper Post		
FINISH	Copper		
WIRE LEAD	25 Feet of 18-2 Wire		
STAKE	X-801 Heavy Duty Ground Stake		
LED LAMP	3 Watt LED G4 Bi-Pin		
LED LAMP OPTIONS	1 Watt, 2 Watt, 4 Watt LED G4 Bi-Pin Bluetooth RGBW LED		
LENS	Clear and Frosted Glass Dome		
HEIGHT	CL-02 / CL-02-B	24"	Light Spread: 10-12'
	CL-07 / CL-07-B	21"	Light Spread: 8-10'
DIMMABLE	CL-02 / CL-02-B / CL-07 / CL-07-B		



CL-05



CL-21



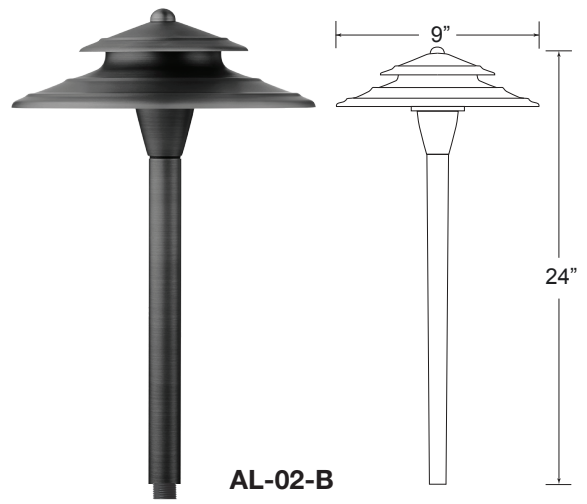
APPLICATION	CL-05	Illuminating Pathways, Bed Areas and Driveways
	CL-21	Up Lighting of Trees, Walls, Homes
CONSTRUCTION	Heavy Copper and Brass	
FINISH	Copper	
WIRE LEAD	25 Feet of 18-2 Wire	
STAKE	X-801 Heavy Duty Ground Stake	
LED LAMP	CL-05	3 Watt LED G4 Bi-Pin
	CL-21	4 Watt, 6 Watt, 9 Watt LED MR16
LED LAMP OPTIONS	CL-05	1 Watt, 2 Watt, 4 Watt LED G4 Bi-Pin
	CL-05 / CL-21	Bluetooth RGBW LED
LENS	CL-05	Clear and Frosted Glass Dome
	CL-21	Clear Convex Lens
HEIGHT	CL-05 21"	Light Spread: 8-10'
DIMMABLE	CL-05 / CL-21	

PATH & AREA LIGHTING

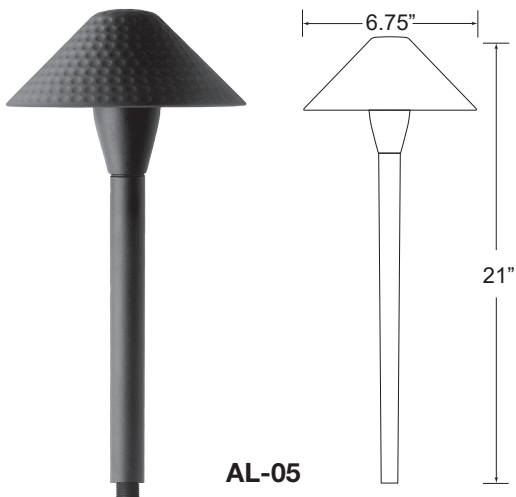
ALUMINUM



AL-02



AL-02-B



AL-05

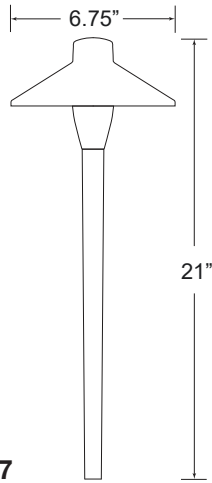


AL-06

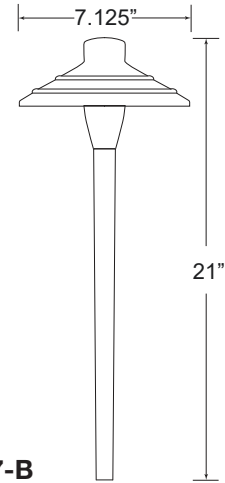
APPLICATION	Illuminating Pathways, Bed Areas and Driveways		
CONSTRUCTION	Die Cast Aluminum Shade and Post		
FINISH	Textured Back		
WIRE LEAD	25 Feet of 18-2 Wire		
STAKE	X-801 Heavy Duty Ground Stake		
LED LAMP	3 Watt LED G4 Bi-Pin		
LED LAMP OPTIONS	1 Watt, 2 Watt, 4 Watt LED G4 Bi-Pin Bluetooth RGBW LED		
LENS	Clear and Frosted Glass Dome		
HEIGHT	AL-02 / AL-02-B	24"	Light Spread: 10-12'
	AL-05	21"	Light Spread: 8-10'
	AL-06	21"	Light Spread: 8-10'
DIMMABLE	AL-02 / AL-02-B / AL-05 / AL-06		



AL-07



AL-07-B



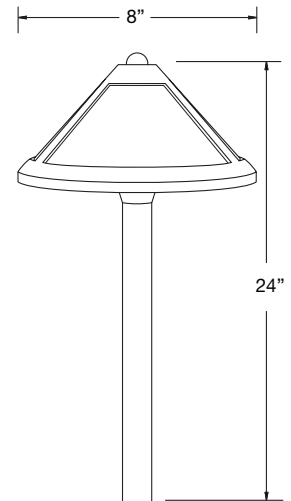
AL-09-A



AL-09-F

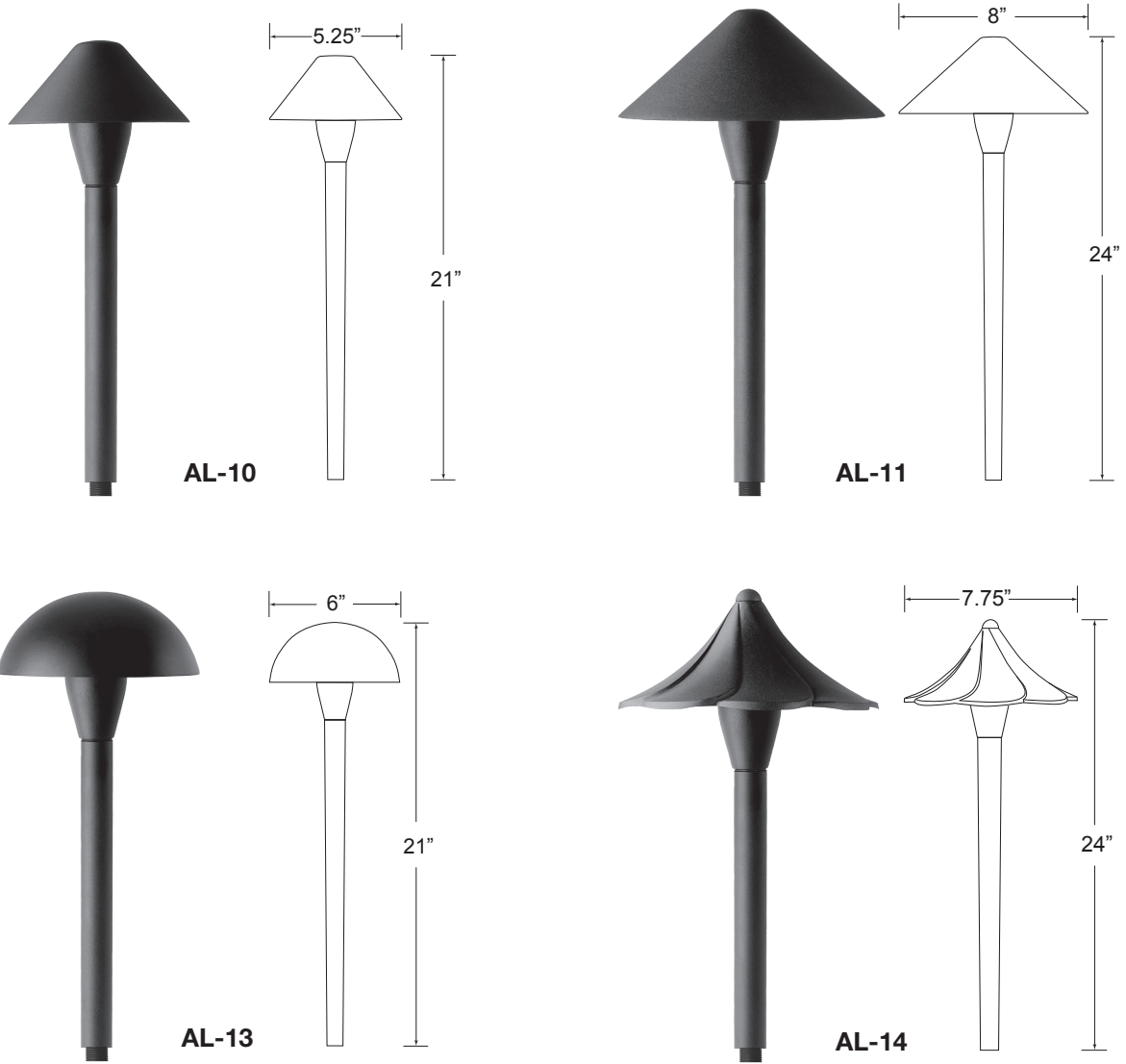


AL-09-H

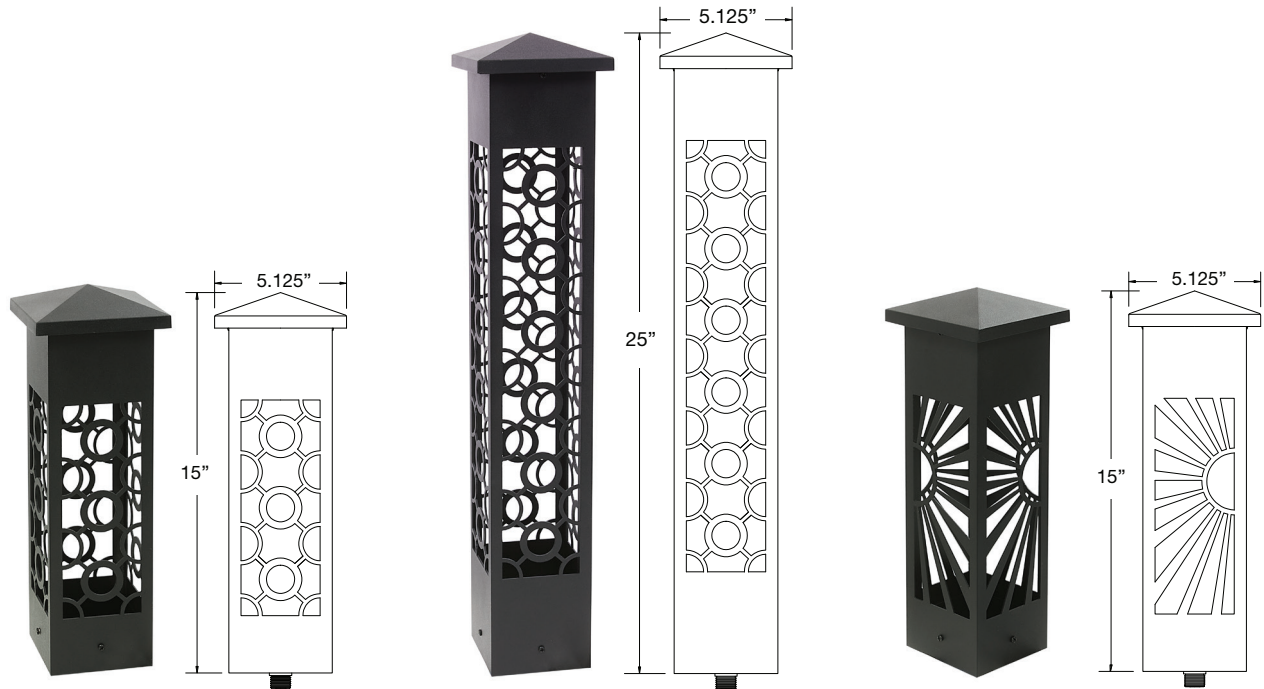


APPLICATION	Illuminating Pathways, Bed Areas and Driveways	
CONSTRUCTION	Die Cast Aluminum Shade and Post AL-09 Glass Shade with Brass Frame	
FINISH	Textured Back	
WIRE LEAD	25 Feet of 18-2 Wire	
STAKE	X-801 Heavy Duty Ground Stake	
LED LAMP	3 Watt LED G4 Bi-Pin	
LED LAMP OPTIONS	1 Watt, 2 Watt, 4 Watt LED G4 Bi-Pin Bluetooth RGBW LED (Not Available for AL-09)	
LENS	Clear and Frosted Glass Dome	
HEIGHT	AL-07 / AL-07-B 21"	Light Spread: 8-10'
	AL-09 24"	Light Spread: 10-12'
DIMMABLE	AL-07 / AL-07-B / AL-09-A / AL-09-F / AL-09-H	

PATH & AREA LIGHTING



APPLICATION	Illuminating Pathways, Bed Areas and Driveways	
CONSTRUCTION	Die Cast Aluminum Shade and Post	
FINISH	Textured Back	
WIRE LEAD	25 Feet of 18-2 Wire	
STAKE	X-801 Heavy Duty Ground Stake	
LED LAMP	3 Watt LED G4 Bi-Pin	
LED LAMP OPTIONS	1 Watt, 2 Watt, 4 Watt LED G4 Bi-Pin Bluetooth RGBW LED	
LENS	Clear and Frosted Glass Dome	
HEIGHT	AL-10 / AL-13 21"	Light Spread: 6-8'
	AL-11 / AL-14 24"	Light Spread: 8-10'
DIMMABLE	AL-10 / AL-11 / AL-13 / AL-14	



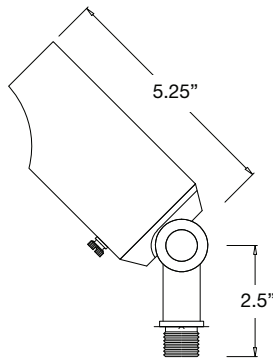
BOL-05

BOL-06

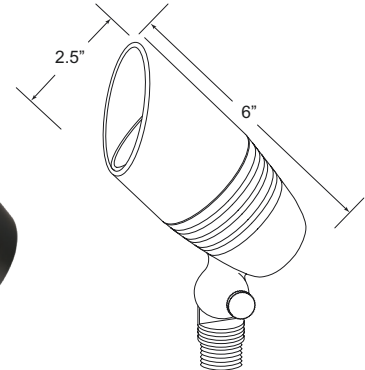
BOL-07

APPLICATION	Illuminating Pathways, Bed Areas and Driveways		
CONSTRUCTION	Aluminum		
FINISH	Black Powder Coat		
WIRE LEAD	25 Feet of 18-2 Wire		
STAKE	X-801 Heavy Duty Ground Stake		
LED LAMP	4 Watt LED MR16		
LED LAMP OPTIONS	1 Watt, 2 Watt, 3 Watt, 4 Watt LED G4 Bi-Pin 3 Watt MR8 or MR11 LED 6 Watt MR16 LED Bluetooth RGBW LED		
HEIGHT	BOL-05	15"	Light Spread: 8-10'
	BOL-06	25"	Light Spread: 10-12'
	BOL-07	15"	Light Spread: 8-10'
DIMMABLE	BOL-05 / BOL-06 / BOL-07		

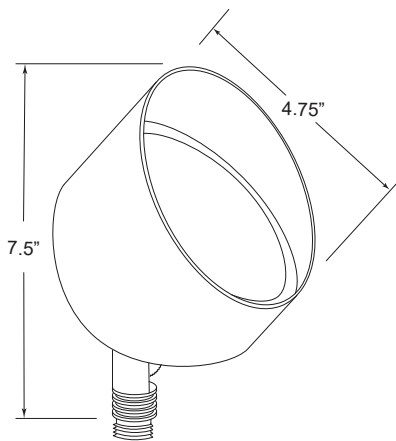
UP & DOWN LIGHTING



AL-21



AL-28

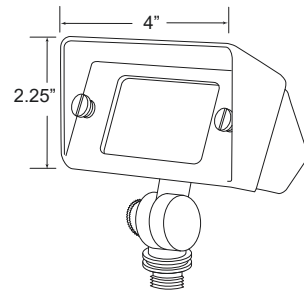


AL-32

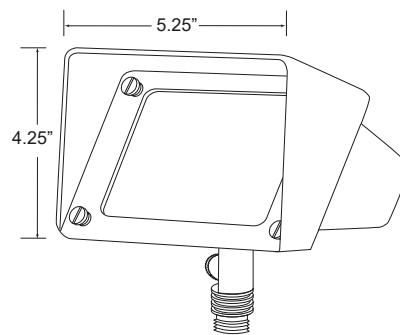
APPLICATION	Up or Down Lighting of Trees, Homes and Structures	
CONSTRUCTION	Die Cast Aluminum	
FINISH	Textured Black	
WIRE LEAD	25 Feet of 18-2 Wire	
STAKE	AL-21 / AL-28	X-800 Heavy Duty Ground Stake
	AL-32	X-801 Heavy Duty Ground Stake
LED LAMP	AL-21	4 Watt or 6 Watt LED MR16
	AL-28	4 Watt, 6 Watt, or 9 Watt LED MR16
	AL-32	6 Watt, 10 Watt, 13 Watt, or 17 Watt PAR36
LED LAMP OPTIONS	Bluetooth RGBW LED	
LENS	Clear Glass	
OPTIONAL LENS	Frosted, Honeycomb, Moonlight Blue	
DIMMABLE	AL-21 / AL-28 / AL-32	

UP & DOWN WALL WASHER / FLOOD LIGHTING

ALUMINUM



AL-30



AL-31

APPLICATION	Up or Down Lighting of Walls, Signs, Buildings, Homes, Water Features and Structures	
CONSTRUCTION	Die Cast Aluminum	
FINISH	Textured Black	
WIRE LEAD	25 Feet of 18-2 Wire	
STAKE	AL-30	X-800 Heavy Duty Ground Stake
	AL-31	X-801 Heavy Duty Ground Stake
LED LAMP	AL-30	3 Watt LED Panel
	AL-31	6 Watt LED Panel
LED LAMP OPTIONS	AL-31	4 Watt or 6 Watt LED MR16
	AL-30	3 Watt or 4 Watt G4 LED
	AL-31	20 Watt Super Bright LED Panel
	AL-31	Bluetooth RGBW LED
LENS	Clear, Frosted and Linear Glass	
DIMMABLE	AL-30 / AL-31	

TRANSFORMERS



TR-75SS-15



TR-150SS-15



TR-300SS-15



TR-600SS-22

Multi-Tap Transformers (WiFi Compatible)

- Construction:** 304 Stainless Steel
- Taps:** 12-15 Volt Transformers are 12, 13, 14, & 15
- Taps:** 12-22 Volt Transformers are 12, 13, 14, 15, 16, 17, 18, 20, & 22
- Primary Protection:** Automatic thermal reset breaker
- Secondary Protection:** 25 amp, 300 watt magnetic breaker with reset switch
- Torodial Core:** Epoxy sealed core which is silent and up to 10% more efficient, runs much cooler than laminated cores
- Terminal:** Extra large 125 amp terminal blocks, holds (8) 12/2 wire
- Internal Wiring:** Non-corrosive, tin coated marine grade, dedicated current loop to measure primary amperage.
- Timer Receptacle:** Standard receptacle for plug and play options
- Photo Cell Plug:** Dedicated plug for easy installation of photo cell
- Child Proof Safety:** Lockable latched door to prevent access

Model	Volts	Wattage	Max Amps	Dimensions	Weight
TR-75SS-15	12, 15	75 watts	.625 amps	6 1/2" L x 3 3/4" W x 4 1/4" D	8 lbs
TR-150SS-15	12, 13, 14, 15	150 watts	1.25 amps	11 3/4" L x 6" W x 5 1/2" D	15 lbs
TR-300SS-15	12, 13, 14, 15	300 watts	2.5 amps	13" L x 6 1/2" W x 6" D	18 lbs
TR-600SS-22	12, 13, 14, 15, 16, 18, 20, 22	600 watts	5.0 amps	16 1/4" L x 6" W x 5 1/2" D	32 lbs

TRANSFORMER ACCESSORIES



X-TM



X-PC-25



X-TM-DM



X-TM-ASTRO



X-WIFI SMART PLUG



X-PC

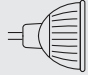
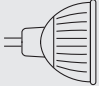
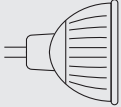


X-DIMMER



X-PC-BYPASS PLUG

LAMP GUIDE

Lamp Type	Part Number	Watts	Volts	Beam Spread	Base	Lumens/ CBCP	Color Temp	Rated Life (Hours)	Dimmable
LED MR8 	LA-LED-MR8-3W-2700	3	12	60°	G4 Bi-Pin	170	2700	40,000	Yes
	LA-LED-MR8-3W-3000	3	12	60°	G4 Bi-Pin	180	3000	40,000	Yes
LED MR11 	LA-LED-MR11-3W-2700	3	12	40°	G4 Bi-Pin	180	2700	40,000	Yes
	LA-LED-MR11-3W-3000	3	12	40°	G4 Bi-Pin	190	3000	40,000	Yes
LED MR16 	LA-LED-MR16-2W-2700-45	2	12	45°	GU5.3 Bi-Pin	240	2700	40,000	Yes
	LA-LED-MR16-2W-3000-45	2	12	45°	GU5.3 Bi-Pin	260	3000	40,000	Yes
	LA-LED-MR16-4W-2700-15	4	12	15°	GU5.3 Bi-Pin	390	2700	40,000	Yes
	LA-LED-MR16-4W-2700-30	4	12	30°	GU5.3 Bi-Pin	390	2700	40,000	Yes
	LA-LED-MR16-4W-2700-45	4	12	45°	GU5.3 Bi-Pin	390	2700	40,000	Yes
	LA-LED-MR16-4W-2700-60	4	12	60°	GU5.3 Bi-Pin	390	2700	40,000	Yes
	LA-LED-MR16-4W-2700-100	4	12	120°	GU5.3 Bi-Pin	390	2700	40,000	Yes
	LA-LED-MR16-4W-3000-15	4	12	15°	GU5.3 Bi-Pin	420	3000	40,000	Yes
	LA-LED-MR16-4W-3000-30	4	12	30°	GU5.3 Bi-Pin	420	3000	40,000	Yes
	LA-LED-MR16-4W-3000-45	4	12	45°	GU5.3 Bi-Pin	420	3000	40,000	Yes
	LA-LED-MR16-4W-3000-60	4	12	60°	GU5.3 Bi-Pin	420	3000	40,000	Yes
	LA-LED-MR16-4W-3000-100	4	12	120°	GU5.3 Bi-Pin	420	3000	40,000	Yes
	LA-LED-MR16-4W-5000-45	4	12	45°	GU5.3 Bi-Pin	470	5000	40,000	Yes
	LA-LED-MR16-4W-5000-60	4	12	60°	GU5.3 Bi-Pin	470	5000	40,000	Yes
	LA-LED-MR16-6W-2700-15	6	12	15°	GU5.3 Bi-Pin	650	2700	40,000	Yes
	LA-LED-MR16-6W-2700-30	6	12	30°	GU5.3 Bi-Pin	650	2700	40,000	Yes
	LA-LED-MR16-6W-2700-45	6	12	45°	GU5.3 Bi-Pin	650	2700	40,000	Yes
	LA-LED-MR16-6W-2700-60	6	12	60°	GU5.3 Bi-Pin	650	2700	40,000	Yes
	LA-LED-MR16-6W-2700-120	6	12	120°	GU5.3 Bi-Pin	650	2700	40,000	Yes
	LA-LED-MR16-6W-3000-15	6	12	15°	GU5.3 Bi-Pin	680	3000	40,000	Yes
	LA-LED-MR16-6W-3000-30	6	12	30°	GU5.3 Bi-Pin	680	3000	40,000	Yes
	LA-LED-MR16-6W-3000-45	6	12	45°	GU5.3 Bi-Pin	680	3000	40,000	Yes
	LA-LED-MR16-6W-3000-60	6	12	60°	GU5.3 Bi-Pin	680	3000	40,000	Yes
	LA-LED-MR16-6W-3000-120	6	12	120°	GU5.3 Bi-Pin	680	3000	40,000	Yes
	LA-LED-MR16-6W-5000-45	6	12	45°	GU5.3 Bi-Pin	720	5000	40,000	Yes
	LA-LED-MR16-6W-5000-60	6	12	60°	GU5.3 Bi-Pin	720	5000	40,000	Yes
	LA-LED-MR16-9W-2700-30	9	12	30°	GU5.3 Bi-Pin	720	2700	40,000	Yes
	LA-LED-MR16-9W-2700-45	9	12	45°	GU5.3 Bi-Pin	720	2700	40,000	Yes
	LA-LED-MR16-9W-2700-60	9	12	60°	GU5.3 Bi-Pin	720	2700	40,000	Yes
	LA-LED-MR16-9W-3000-30	9	12	30°	GU5.3 Bi-Pin	740	3000	40,000	Yes
	LA-LED-MR16-9W-3000-45	9	12	45°	GU5.3 Bi-Pin	740	3000	40,000	Yes
	LA-LED-MR16-9W-3000-60	9	12	60°	GU5.3 Bi-Pin	740	3000	40,000	Yes
Bluetooth	LA-LED-MR16-6W-RGBW-45	6	12	45°	GU5.3 Bi-Pin	Varies	RGBW	40,000	Yes
	LA-LED-MR16-10W-RGBW-45	10	12	45°	GU5.3 Bi-Pin	Varies	RGBW	40,000	Yes



MR-8-3W



MR-11-3W



MR-16-4W



MR-16-6W




MR-16-9W



PAR-36



MR-16-RGBW-BT

Lamp Type	Part Number	Watts	Volts	Beam Spread	Base	Lumens/CBCP	Color Temp	Rated Life (Hours)	Dimmable
 LED PAR 36	LA-LED-PAR36-6W-2700-40	6	12	40°	Screw Terminal	640	2700	40,000	Yes
	LA-LED-PAR36-6W-3000-40	6	12	40°	Screw Terminal	660	3000	40,000	Yes
	LA-LED-PAR36-6W-2700-60	6	12	60°	Screw Terminal	640	2700	40,000	Yes
	LA-LED-PAR36-6W-3000-60	6	12	60°	Screw Terminal	660	3000	40,000	Yes
	LA-LED-PAR36-6W-2700-120	6	12	120°	Screw Terminal	500	2700	40,000	Yes
	LA-LED-PAR36-6W-3000-120	6	12	120°	Screw Terminal	520	3000	40,000	Yes
	LA-LED-PAR36-10W-2700-40	10	12	40°	Screw Terminal	930	2700	40,000	Yes
	LA-LED-PAR36-10W-3000-40	10	12	40°	Screw Terminal	950	3000	40,000	Yes
	LA-LED-PAR36-10W-2700-60	10	12	60°	Screw Terminal	930	2700	40,000	Yes
	LA-LED-PAR36-10W-3000-60	10	12	60°	Screw Terminal	950	3000	40,000	Yes
	LA-LED-PAR36-10W-2700-120	10	12	120°	Screw Terminal	710	2700	40,000	Yes
	LA-LED-PAR36-10W-3000-120	10	12	120°	Screw Terminal	730	3000	40,000	Yes
	LA-LED-PAR36-13W-2700-40	13	12	40°	Screw Terminal	1050	2700	40,000	Yes
	LA-LED-PAR36-13W-3000-40	13	12	40°	Screw Terminal	1150	3000	40,000	Yes
	LA-LED-PAR36-13W-2700-60	13	12	60°	Screw Terminal	1050	2700	40,000	Yes
	LA-LED-PAR36-13W-3000-60	13	12	60°	Screw Terminal	1150	3000	40,000	Yes
	LA-LED-PAR36-13W-2700-120	13	12	120°	Screw Terminal	850	2700	40,000	Yes
	LA-LED-PAR36-13W-3000-120	13	12	120°	Screw Terminal	870	3000	40,000	Yes
	LA-LED-PAR36-17W-2700-40	17	12	40°	Screw Terminal	1350	2700	40,000	Yes
	LA-LED-PAR36-17W-3000-40	17	12	40°	Screw Terminal	1450	3000	40,000	Yes
LA-LED-PAR36-17W-2700-60	17	12	60°	Screw Terminal	1350	2700	40,000	Yes	
LA-LED-PAR36-17W-3000-60	17	12	60°	Screw Terminal	1450	3000	40,000	Yes	
LA-LED-PAR36-17W-2700-120	17	12	120°	Screw Terminal	980	2700	40,000	Yes	
LA-LED-PAR36-17W-3000-120	17	12	120°	Screw Terminal	1100	3000	40,000	Yes	
Bluetooth	LA-LED-PAR36-10W-RGBW-40	12	12	40°	Screw Terminal	Varies	RGBW	40,000	Yes

LAMP GUIDE



T3-1W



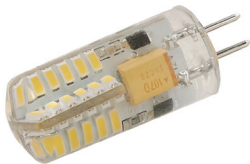
T3-3W



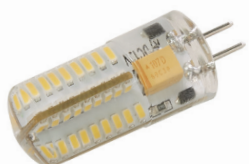
T3-4W



G4 COB



T4-2W




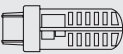
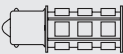

T4-3W



BA-15-D



BA-15-S

Lamp Type	Part Number	Watts	Volts	Beam Spread	Base	Lumens/ CBCP	Color Temp	Rated Life (Hours)	Dimmable
LED T3 	LA-LED-T3-25-1W-3000	1	12	–	G4 Bi-Pin	90	3000	40,000	Yes
	LA-LED-T3-13-2W-2700	2	12	–	G4 Bi-Pin	170	2700	40,000	Yes
	LA-LED-T3-13-2W-3000	2	12	–	G4 Bi-Pin	180	3000	40,000	Yes
	LA-LED-T3-18-3W-2700	3	12	–	G4 Bi-Pin	220	2700	40,000	Yes
	LA-LED-T3-18-3W-3000	3	12	–	G4 Bi-Pin	240	3000	40,000	Yes
	LA-LED-T3-27-4W-2700	4	12	–	G4 Bi-Pin	340	2700	40,000	Yes
	LA-LED-T3-27-4W-3000	4	12	–	G4 Bi-Pin	360	3000	40,000	Yes
	LA-LED-T4-48-2W-3000	2	12	–	G4 Bi-Pin	190	3000	40,000	Yes
	LA-LED-T4-72-3W-3000	3	12	–	G4 Bi-Pin	250	3000	40,000	Yes
	LA-LED-COB-3W-2700	3	12	–	G4 Bi-Pin	240	2700	40,000	Yes
LA-LED-COB-3W-3000	3	12	–	G4 Bi-Pin	260	3000	40,000	Yes	
LED T5 	LA-LED-T5-WG-3W-2700	3	12		Wedge Base	220	2700	40,000	Yes
	LA-LED-T5-WG-3W-3000	3	12		Wedge Base	240	3000	40,000	Yes
LED BA-15 	LA-LED-BA-15S-3W-3000	3	12	–	Single Bayonet	240	3000	40,000	Yes
	LA-LED-BA-15D-3W-3000	3	12	–	Double Bayonet	240	3000	40,000	Yes
Bluetooth 	LA-LED-T3-RGBW-BT-2W	2	12	–	G4 Bi-Pin	Varies	RGBW	40,000	Yes



A19 CLEAR



CANDELABRA




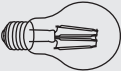
LED-BL-30



LED-BL-31



LED-BL-31-20W

Lamp Type	Part Number	Watts	Volts	Beam Spread	Base	Lumens/CBCP	Color Temp	Rated Life (Hours)	Dimmable
	LA-LED-CA-2W-2700-12V	2	12	–	Candelabra	210	2700	40,000	Yes
	LA-LED-CA-4W-2700-12V	4	12	–	Candelabra	280	2700	40,000	Yes
	LA-LED-A19-2W-2700-12V	2	12	–	Medium Base	260	2700	40,000	Yes
	LA-LED-A19-4W-2700-12V	4	12	–	Medium Base	300	2700	40,000	Yes
	LA-LED-A19-6W-2700-12V	6	12	–	Medium Base	380	2700	40,000	Yes
LED BL-30	LA-LED-BL-30-3W-3000	3	12	–	G4 Bi-Pin	260	3000	40,000	Yes
	LA-LED-BL-30-3W-3000	3	12	–	G4 Bi-Pin	260	3000	40,000	Yes
LED BL-31	LA-LED-BL-31-6W-2700	6	12	–	G4 Bi-Pin	450	2700	40,000	Yes
	LA-LED-BL-31-6W-3000	6	12	–	G4 Bi-Pin	470	3000	40,000	Yes
	LA-LED-BL-31-20W-3000	20	12	–	G4 Bi-Pin	2200	3000	40,000	No
	LA-LED-BL-31-RGBW-BT	10	12	–	G4 Bi-Pin	Varies	RGBW	40,000	Yes

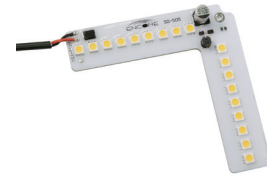
LAMP GUIDE



LED-SD-500



LED-SD-501



LED-SD-505



LED-SD-506



LED-MODULE-PATHLIGHT



BLUETOOTH EXTENDER

<i>Lamp Type</i>	<i>Part Number</i>	<i>Watts</i>	<i>Volts</i>	<i>Beam Spread</i>	<i>Base</i>	<i>Lumens/ CBCP</i>	<i>Color Temp</i>	<i>Rated Life (Hours)</i>	<i>Dimmable</i>
LED SD-500	LA-LED-SD-500-3W-2700	3	12	–	Crimp	210	2700	40,000	Yes
	LA-LED-SD-500-3W-3000	3	12	–	Crimp	220	3000	40,000	Yes
	LA-LED-SD-500-MKD	3	12	–	Quick Connect	Varies	Multi	40,000	Yes
LED SD-501	LA-LED-SD-501-2W-2700	2	12	–	Crimp	150	2700	40,000	Yes
	LA-LED-SD-501-2W-3000	2	12	–	Crimp	160	3000	40,000	Yes
	LA-LED-SD-501-MKD	2	12	–	Quick Connect	Varies	Multi	40,000	Yes
LED SD-505	LA-LED-SD-505-3W-3000	3	12	–	Crimp	240	3000	40,000	Yes
LED SD-506	LA-LED-SD-506-1W-2700	1	12	–	Crimp	160	2700	40,000	Yes
	LA-LED-SD-506-1W-3000	1	12	–	Crimp	180	3000	40,000	Yes
	LA-LED-SD-506-2W-2700	2	12	–	Crimp	220	2700	40,000	Yes
	LA-LED-SD-506-2W-3000	2	12	–	Crimp	240	3000	40,000	Yes
	LA-LED-SD-506-MKD	2	12	–	Quick Connect	Varies	Multi	40,000	Yes
MODULE	LA-LED-PATHLIGHT-MODULE-BT	4	12	–	Crimp	220	3000	40,000	Yes
REPEATER	X-BLUETOOTH-EXTENDER	Bluetooth Signal Booster							No



LED-SD-410



LED-SD-413



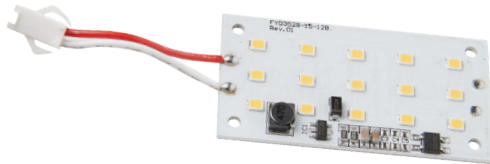
LED-SD-400



LED-SD-403



LED-SD-60



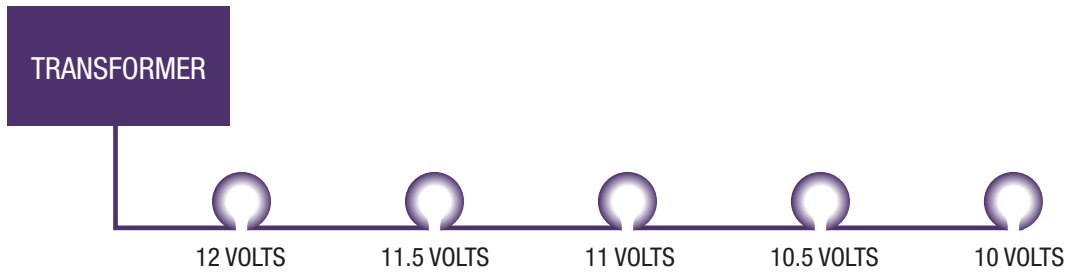
MDB-010-02



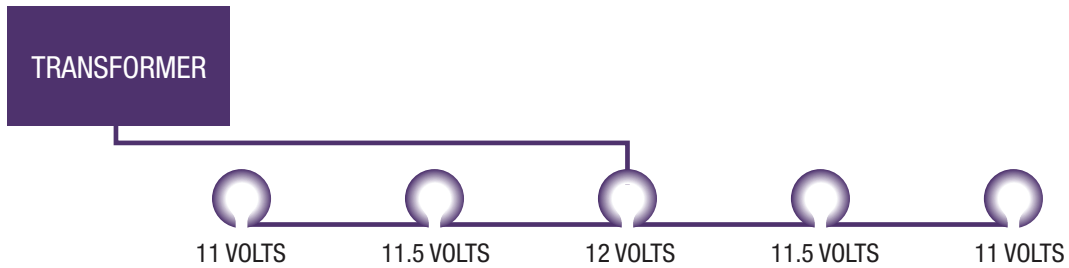
MDB-05

Lamp Type	Part Number	Watts	Volts	Base	Lumens/ CBCP	Color Temp	Rated Life (Hours)	Dimmable
LED SD-400	LA-LED-SD-400-2W-3000	2	12	Crimp	280	3000	40,000	Yes
LED SD-403	LA-LED-SD-403-3W-3000	3	12	Crimp	320	3000	40,000	Yes
LED SD-410	LA-LED-SD-400-2W-3000	1	12	Crimp	180	3000	40,000	Yes
LED SD-413	LA-LED-SD-403-3W-3000	2	12	Crimp	240	3000	40,000	Yes
LED SD-60	LA-LED-SD-60-3W-3000	3	12	Crimp	300	3000	40,000	Yes
LED BOL-03/04	LA-LED-BOL-03/04-4W-3000	4	12	Quick Connect	320	3000	40,000	Yes
LED MDB-01/02	LA-LED-MDB-01/02-4W-2700	4	12	Quick Connect	340	2700	40,000	Yes
	LA-LED-MDB-01/02-4W-3000	4	12	Quick Connect	360	3000	40,000	Yes
LED MDS-01/02	LA-LED-MDS-01/02-3W-2700	3	12	Quick Connect	290	2700	40,000	Yes
	LA-LED-MDS-01/02-3W-3000	3	12	Quick Connect	310	3000	40,000	Yes
LED MDB-05	LA-LED-MDB-05-4W-3000	4	12	Quick Connect	320	3000	40,000	Yes
LED MDB-06	LA-LED-MDB-06-4W-3000	4	12	Quick Connect	340	3000	40,000	Yes

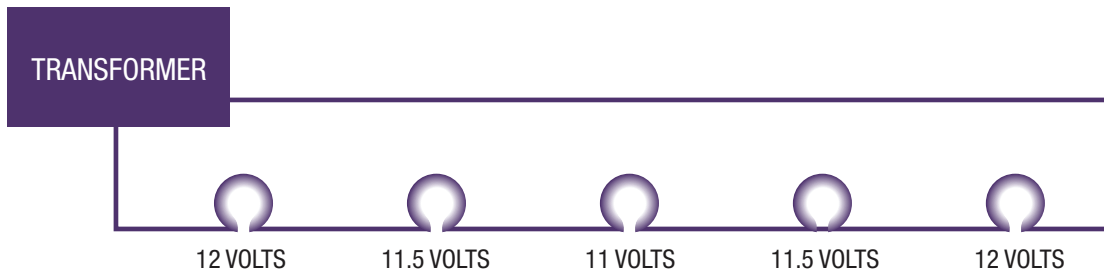
The Daisy Chain



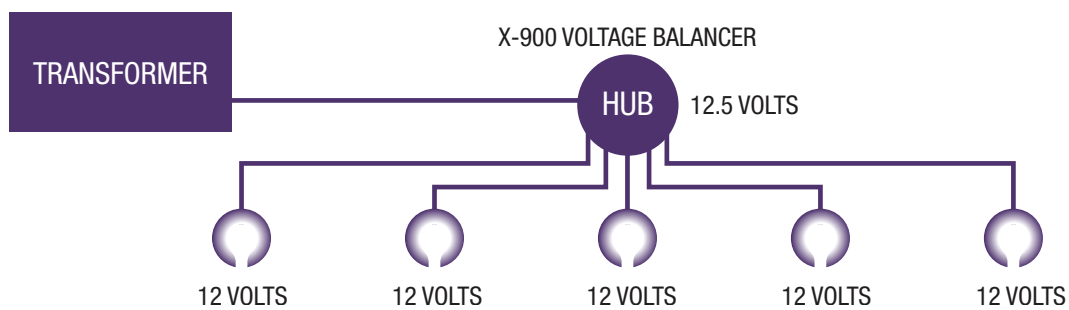
The "T" Method



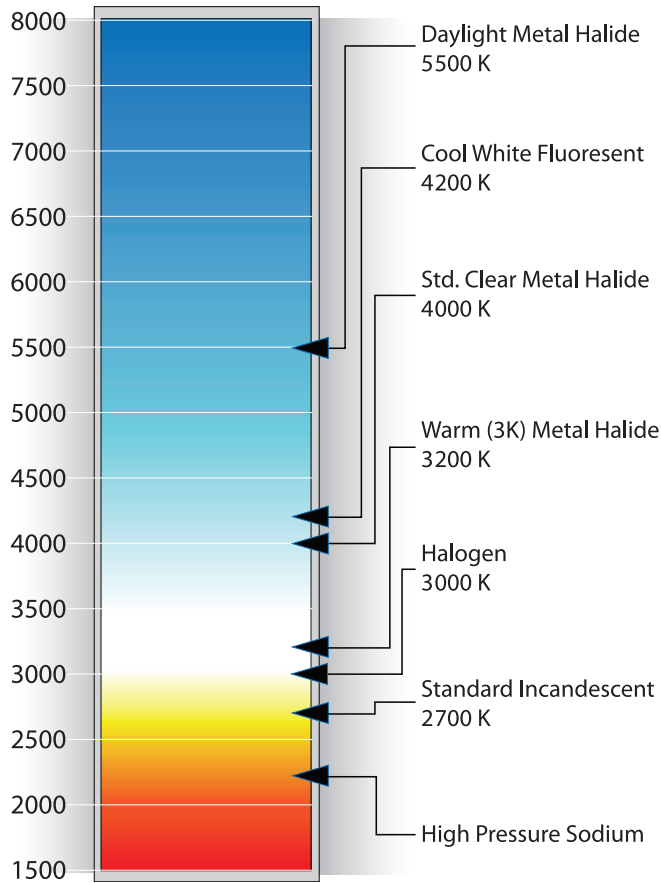
The Loop Method



The Hub Method



KELVIN CHART / POWDER COAT FINISHES



Optional Finishes



- Custom color matching is available
- Additional RAL colors are available using the standard RAL color system
- Actual finishes may differ slightly than as shown above
- Choosing any color other than the standard finish will result in an up-charge per fixture



Encore Landscape Lighting warrants to the owner, each new lighting product against defects in material and workmanship for a period described below. During the warranty period, Encore Landscape Lighting will repair or replace, at our discretion, any part found to be defective. Your remedy is limited solely to the replacement or repair of defective parts.

This warranty does not apply to products, including lamps, not manufactured by Encore Landscape Lighting when used in conjunction with Encore Landscape Lighting products; or where equipment is used, or installation is performed in any manner contrary to Encore Landscape Lighting's specifications or instructions, nor where equipment is altered or modified. Encore Landscape Lighting assumes no responsibility for the improper installation of its products.

Encore Landscape Lighting is not liable for indirect, incidental or consequential damages in connection with the use of equipment, including but not limited to: vegetation loss, the cost of substitute equipment or services required during malfunction, property damage or personal injury resulting from installers actions, whether negligent or otherwise.

All implied warranties, including those of merchantability and fitness of use, are limited to the duration of this express warranty. All transformers, ABS well lights, brass and copper fixtures are covered by this warranty for the life of the original installation. All aluminum Encore Landscape Lighting fixtures are covered by this warranty for a period of three years from the date of installation. The warranty does not extend to color fading by UV rays or exposure to harsh chemicals or harsh environments including salt water environments. This warranty is non-transferable. Underwater Fixtures, RGBW LED Lamps, Bluetooth components and all add on accessories have a warranty of one year. This warranty does not include the replacement of any lamps with the expectation of the LED lamps as listed below.

LED lamps have a warranty of three years from the date of purchase. The LED lamps must be installed at the correct voltage. Any LED lamp that is installed at an excessive or too low of voltage will void the warranty. The LED Lamps must be installed in conjunction with an Encore Landscape Lighting transformer or an approved transformer by Encore Landscape Lighting. The transformer must be a magnetic type. The use of Encore Landscape Lighting's LED lamps without a magnetic type of transformer or at voltages higher or lower than the preferred specs will void the warranty. The LED lamps are not covered by the warranty because of lightning strikes or any other voltage surges. When relamping or replacing LED lamps, the power must be turned off.

In order to have a valid warranty, a registration form must be completed and submitted back to Encore Landscape Lighting within 30 days of purchase. The warranty registration form can be found on our website at www.encorelandscapelighting.com. The warranty form must be fully completed.

A product is covered during the warranty period if it is returned to Encore Landscape Lighting, freight prepaid. Our factory will inspect the product to determine if it is defective under the terms of the warranty. All products must have an RGA form (return goods authorization) completed by the customer and sent to Encore Landscape Lighting for approval. Once approved, a RGA number will be issued. No returns will be accepted without the RGA number. Encore Landscape Lighting does not compensate for any labor, diagnosis, repair, replacement, shipping fees or transportation.