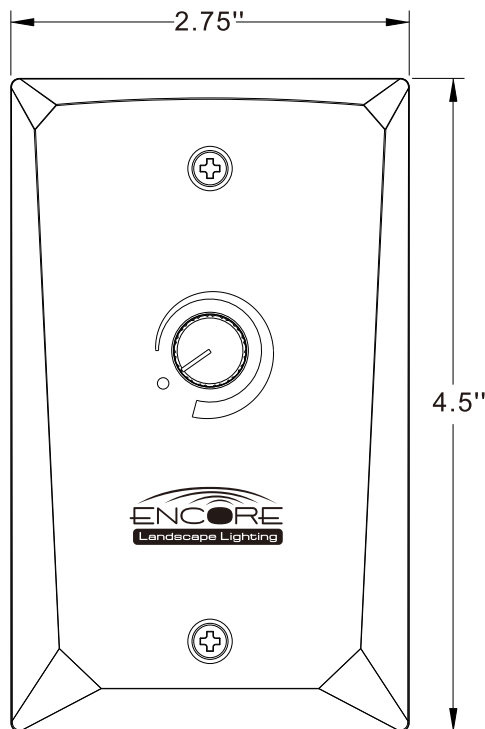
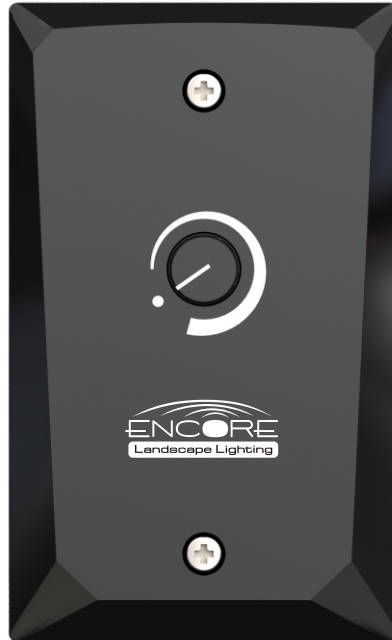


X-Dimmer-Manual Specification Data Sheet



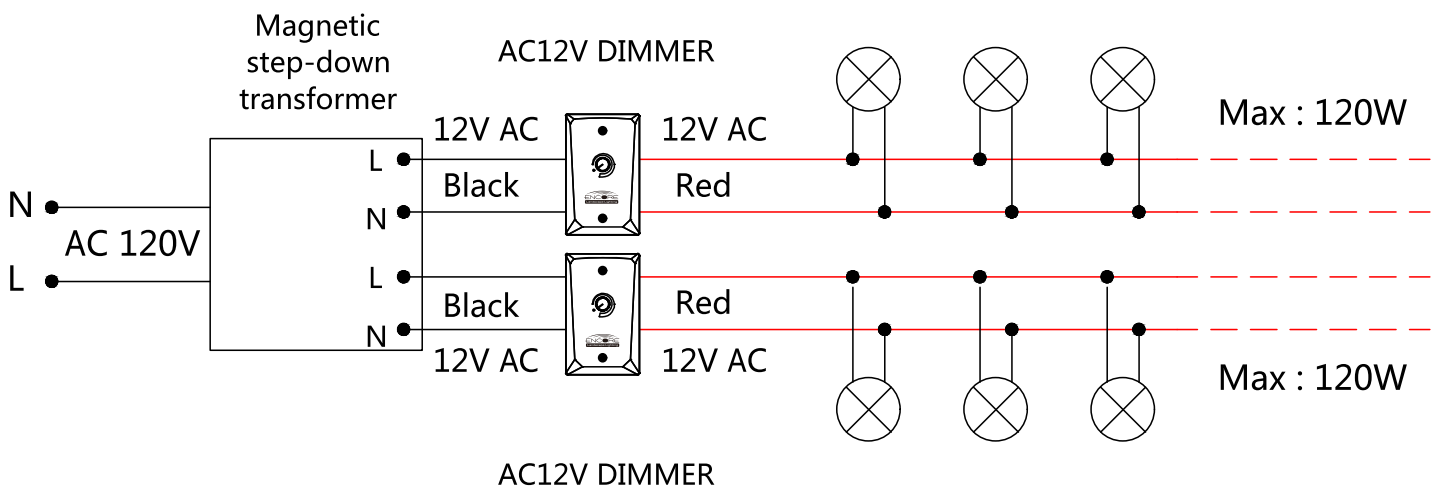
X-Dimmer-Manual Specification Data Sheet



For optimum performance:

1. Select ENCORE's AC transformer to provide 12V AC to Dimmer and LED's.
2. Install the 12V AC LED dimmable products with the transformer power off.
3. The maximum current is 10 Amps, the maximum load is 120W.
4. Using a small phillips screwdriver, adjust the trim pot switch so the LED's are at their lowest brightness.
5. Adjust the dial switch to the desired illumination level.

Wiring diagram:



Note:

All 12V LED devices will dim differently. The trim pot switch will need to be adjusted for wattage loads and or 12V dimmable LED products. The ENCORE LED dimmer is made for 12V AC Transformers only. Do not exceed 120 WATTS on the field load.